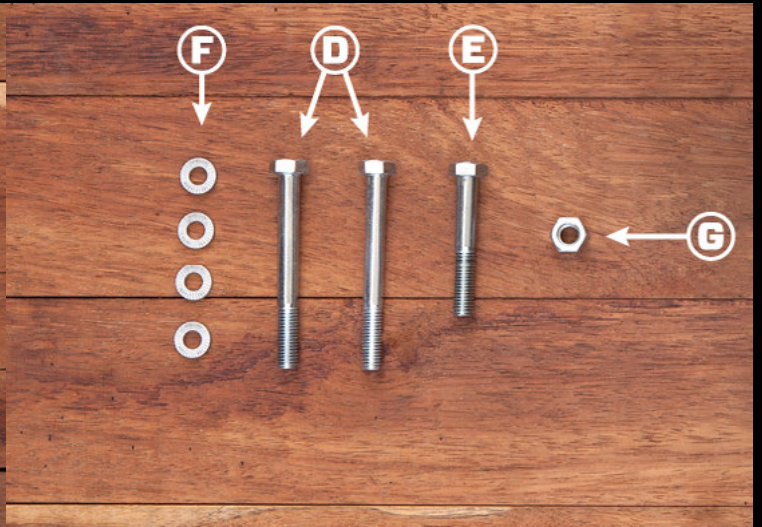


WK2 Recovery Hook

Install Instructions



REF	QTY	DESCRIPTION	REF	QTY	DESCRIPTION
A	1	Recovery Hook (E-Coat + Powder Coat)	-	1	4g Anti-Seize Pouch
B	1	Middle Mounting Plate (E-Coat)	-	1	Chief Products Shop Rag
C	1	Top Mounting Plate (E-Coat)			
D	2	M10 x 90mm 10.9 Bolts (Zinc)			
E	1	M10 x 65mm 10.9 Bolts (Zinc)			
F	4	M10 Wedge-Lock Extended Washers (Zinc Flake)			
G	1	M10 CL10 Nut (Zinc)			

REQUIRED TOOLS	
Ratchet	OPTIONAL - 13mm Socket
21mm Socket	POSSIBLE - 30mm Socket
16mm Socket	POSSIBLE - 18mm Socket
16mm Wrench	POSSIBLE - Dremel Cutting Tool

NOTES
• Do not over-tighten fasteners.
• Photos are representative only. They may show prototype parts and be taken from multiple vehicles.

IMPORTANT

- PROPER INSTALLATION IS ESSENTIAL TO THE PERFORMANCE OF THIS PRODUCT.
- ONLY INSTALL THIS PRODUCT ON A 2011-2018 JEEP GRAND CHEROKEE.
- ONLY USE THE PROVIDED HARDWARE FOR INSTALLATION.
- DO NOT MODIFY THE STRUCTURE OF THIS PRODUCT IN ANY WAY.
- CHECK PRODUCT REGULARLY FOR DAMAGE. REPLACE IMMEDIATELY AT FIRST SIGN OF DAMAGE.
- CHECK FASTENER TIGHTNESS REGULARLY AND TIGHTEN IF REQUIRED.

1

Remove Lower Fascia.

1. Remove the lower fascia and set aside. Refer to the Owners Manual for basic instructions.

NOTE
This can be a tricky process. If you need help, we provide a 'How To' article on our website, (www.chiefproducts.com.au/blogs/how-to/11555201-wk2-lower-front-fascia-removal-installation). You can also download a PDF of the process here, (www.chiefproducts.com.au/installation/wk2-lower-front-fascia-removal-and-installation.pdf).



RIGHT SIDE INSTALLATION (Go To Step 2)
LEFT SIDE INSTALLATION (Go To Step 4)
Right & Left sides are determined while sitting in the vehicle.

WK2 Recovery Hook

Install Instructions

2 Right Side Installation

Remove OEM Screw-In Hook Threaded Tube.

1. Remove 21mm bolt on back of bracket. With the bolt removed, slide the threaded tube out of the bracket. You will now have access to the frame mounting bolts.



NOTE

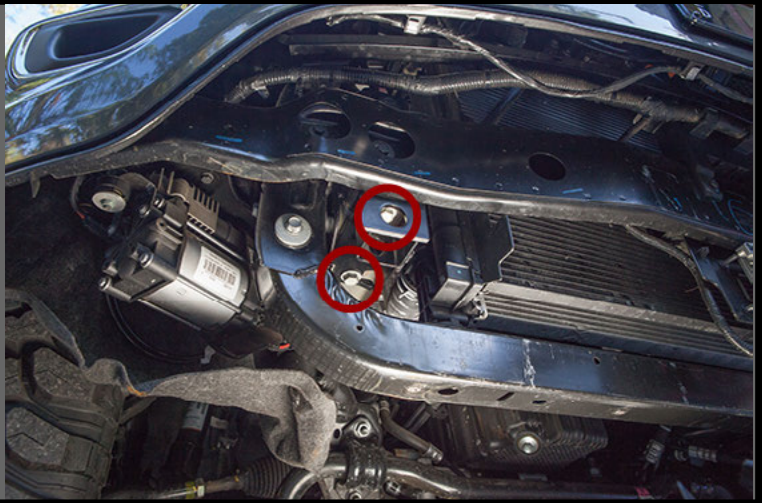
This step is only required on export models without OEM Tow Hooks. 2013+ WK2s have a different bracket, (see Step 3).

3 Right Side Installation

Remove OEM Screw-In Hook Bracket.

1. Remove (2) M10 bolts holding bracket to frame.

The OEM Screw-In Hook Bracket can now be removed.



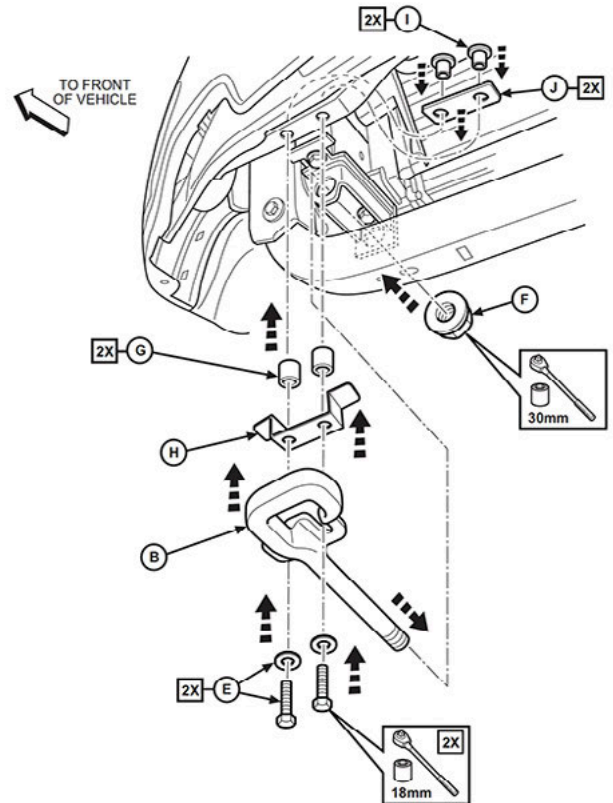
NOTE

This step is only required on export models without OEM Tow Hooks. 2011-2012 WK2s have a different bracket, (see Step 2).

4

Remove OEM Tow Hook.

1. Unbolt (2) M10 bolts [E in side diagram] holding front of Tow Hook to vehicle.
2. Unbolt 30mm Nut on backside [F in side diagram] and slide Tow Hook forward out of bracket.



NOTE

This step is only required for WK2s with OEM Tow Hooks. This diagram is taken from Mopar's official installation instructions.

WK2 Recovery Hook

Install Instructions

5

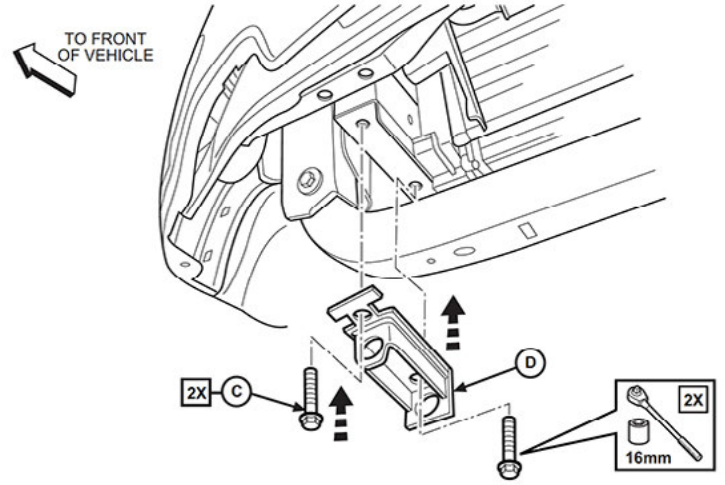
Remove OEM Tow Hook Bracket.

1. Unbolt (2) M10 bolts [**C** in side diagram] holding OEM Tow Hook bracket to vehicle.

The OEM Tow Hook Bracket can now be removed.

NOTE

This step is only required for WK2s with OEM Tow Hooks. This diagram is taken from Mopar's official installation instructions.



6

Export Models

Prepare lower fascia.

1. Remove the 'pop-out' plastic parts by pushing on them from behind to reveal access holes.
2. If you don't have 'pop-out' plastic parts, you'll need to cut access holes in the lower fascia using a dremel or similar tool.

NOTE

Cutting is required on all Summit, High Altitude, export 75th Anniversary, and export 2017 models without OEM Tow Hooks. These models do not provide holes in the lower fascia for access to the hooks.



7

Prepare for installation.

1. Stack the Top Mounting Plate [**C**] and Middle Mounting Plate [**B**] on top of the Recovery Hook [**A**].
2. Apply Anti-Seize to the threads on all bolts.

NOTE

The open end of the hook should face towards the centre of the vehicle. All holes should align and the edges of the mounting plates should also align. Make sure all mounting surfaces are clean and free from grease or dirt.



DAD JOKE

Yesterday, I was at the hardware store with my Dad.
He walked around the store with a screwdriver announcing, "This is not a drill!"

WK2 Recovery Hook

Install Instructions

8

Install Strengthening Bolt.

1. Slip (1) M10 Wedge-Lock Washer [F] onto (1) M10 x 65mm Bolt [E] and slip it down through the forward most hole on the Middle Mounting Plate [B] and Recovery Hook [A]. Slip (1) M10 Wedge-Lock Washer [F] onto the end of the bolt and attach (1) M10 CL10 Nut [G]. Finger tighten.

NOTE

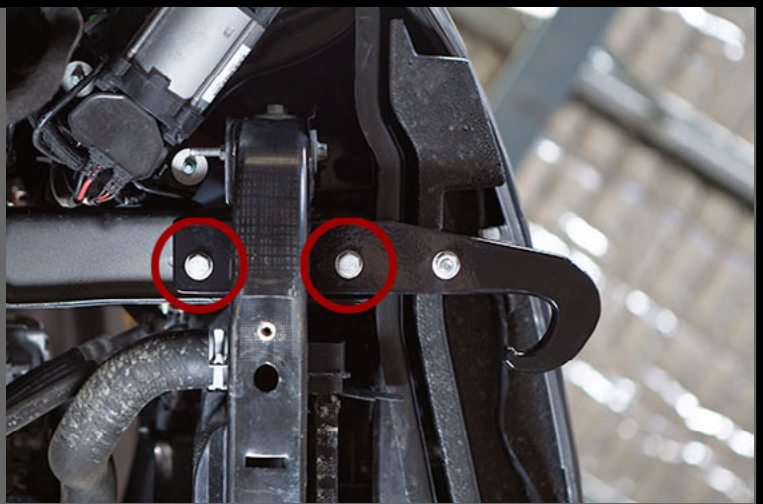
Installing the Strengthening Bolt now, helps hold the stack together during installation and avoids bumper interference installation issues on USA models.



9

Bolt WK2 Recovery Hook to chassis.

1. Slip (1) M10 Wedge-Lock Extended Washer [F] onto (1) M10 x 90mm Bolt [D]. Slip the Bolt & Washer combo through the rear most hole in the stack, (Recovery Hook [A] and mounting plates, from Step 6). Hold the stack up to the chassis, align the mounting holes and thread the rear bolt into the chassis.
2. Slip (1) M10 Wedge-Lock Extended Washer [F] onto (1) M10 x 90mm Bolt [D]. Slip the Bolt & Washer combo through the remaining mounting hole and thread into the chassis.



NOTES

It can be difficult to access the rear mounting bolt if you have our WK2 Sump Protection Plate installed. This can be especially difficult on the left side due to the location of the windshield washer bottle. By unbolting the wheel well liner from the side of the WK2 Sump Protection Plate (or OEM 'Belly Pan') you can reach from behind to more easily access the rear mounting bolt.

10

Tighten Bolts.

1. Tighten the (2) chassis mounting bolts.
2. Tighten the strengthening bolt.

NOTE

Recommended M10 Bolt Torque = 90Nm (Dry) or 74Nm (Anti-Seize)



WK2 Recovery Hook

Install Instructions

11

Re-install Lower Fascia.

1. Re-install the lower fascia. Refer to the Owners Manual for basic instructions.

NOTE

This can be a tricky process. If you need help, we provide a 'How To' article on our website, (www.chiefproducts.com.au/blogs/how-to/11555201-wk2-lower-front-fascia-removal-installation). You can also download a PDF of the process here, (www.chiefproducts.com.au/installation/wk2-lower-front-facia-removal-and-installation.pdf).



WK2 Recovery Hook is now fully installed.

MAINTENANCE

FASTENERS

- Check fastener tightness regularly and tighten if required. We recommend checking fasteners after every large off-road trip.

CORROSION PROTECTION

- After an off-road trip; rinse all mud, sand or debris off the product.
- After driving in salt water; rinse product thoroughly with fresh water.

EXTRA CARE

- If you're planning to drive in a salty environment; spray fasteners with WD40 or an equivalent.
- If you're planning to drive in a salty environment; spray product with Lanolin or an equivalent.
- Spray deep scratches (before they rust) with touch up paint to help inhibit corrosion.

SUPPORT

Find answers online.

www.chiefproducts.com.au/pages/support

Having troubles? Make sure you've downloaded the most recent version of these instructions from our website. We occasionally make updates.

www.chiefproducts.com.au/installation/wk2-recovery-hook.pdf

If you need additional help, send us an email.

support@chiefproducts.com.au



WK2 Recovery Hook

Install Instructions

SHARE

Looking to share epic photos of your WK2?

Send us your photos - Unboxing, Fully Installed, Painted-In-Mud or out Adventuring in some beautiful location. If you share with us, we'll share with our followers.

UPLOAD

www.chiefproducts.com.au/share

EMAIL

connect@chiefproducts.com.au

HASHTAG

#ChiefProducts #GrandAdventure