



# SUBARU

**WRX FOG LAMP KIT**

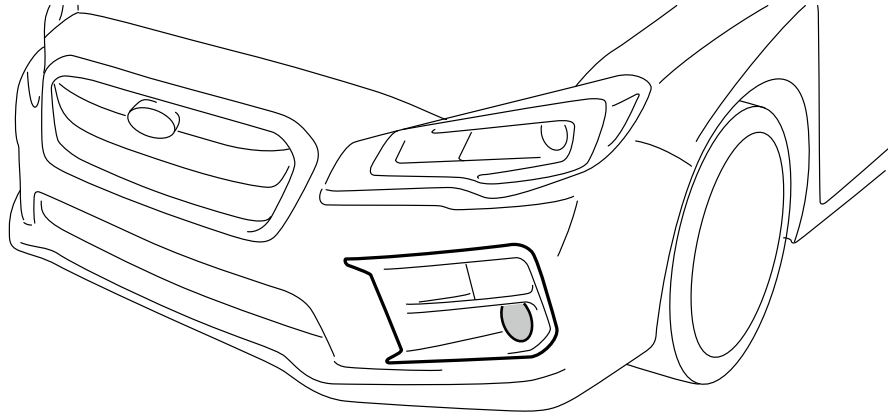
INSTALLATION INSTRUCTION

PART No. H4510VA040

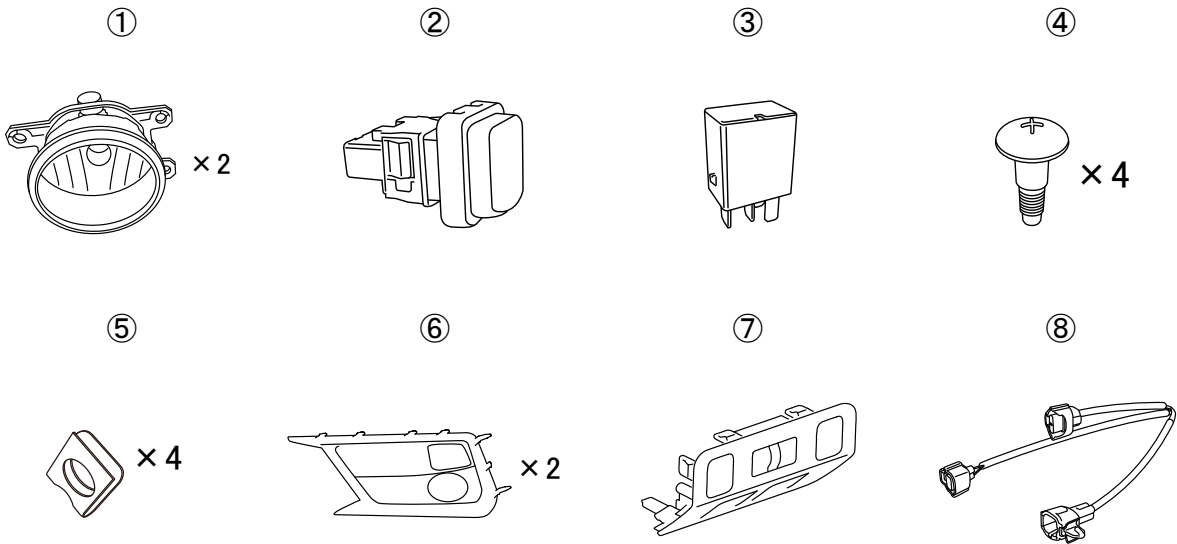


## IMPORTANT

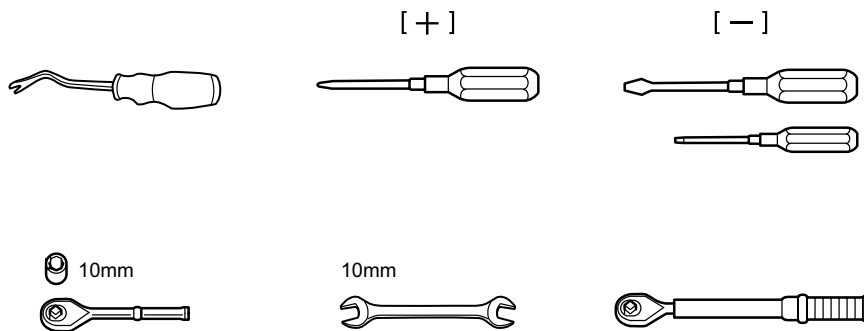
1. Read all instructions before proceeding with installation. If uncomfortable performing any procedures, such as lamp aiming in step 16, have installation performed by a Subaru dealer technician.
2. Pay special attention not to damage vehicle components when removing / installing them.
3. Route wiring so that it does not rub against any sharp edges.



Components

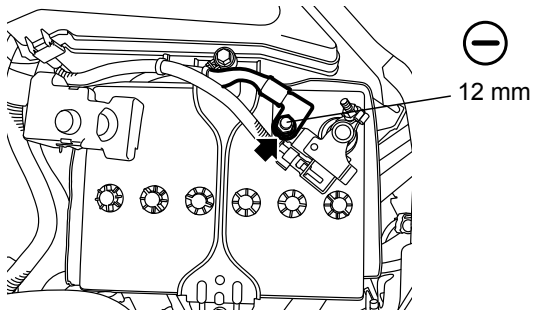


Tools

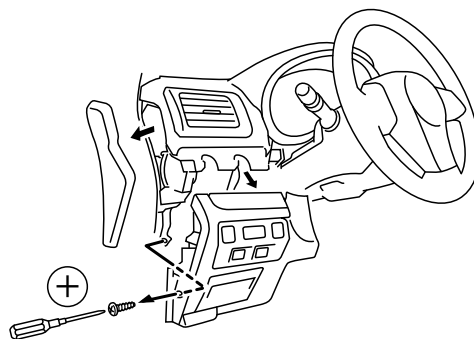


1

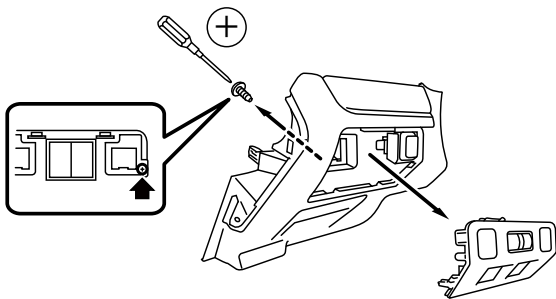
Except for STI model



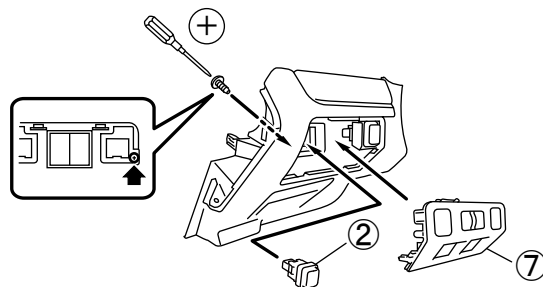
2



3

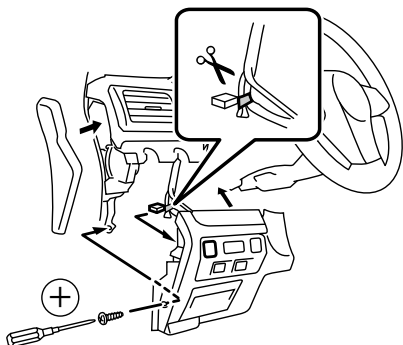


4

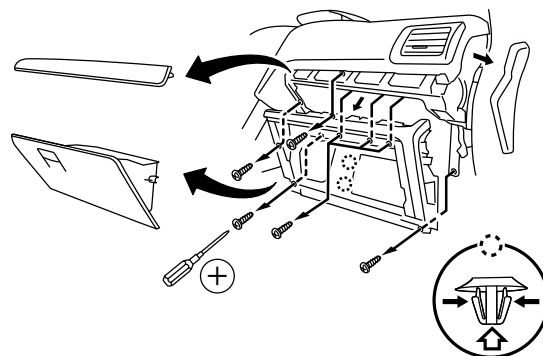


Transfer the switches, blanks or dials to the new panel.

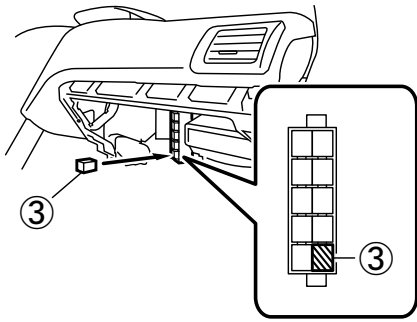
5



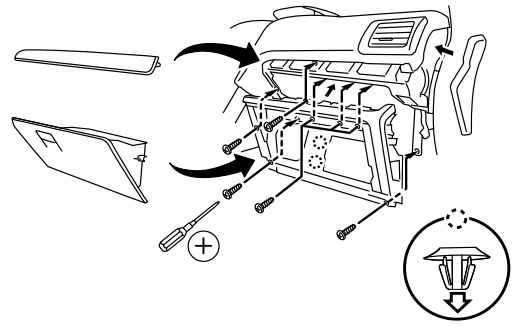
6



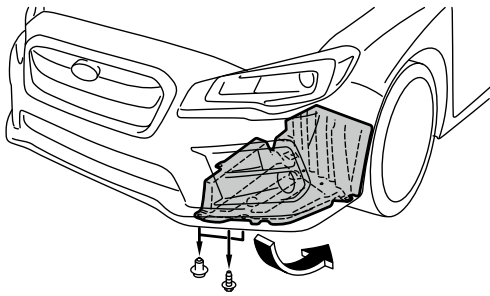
7



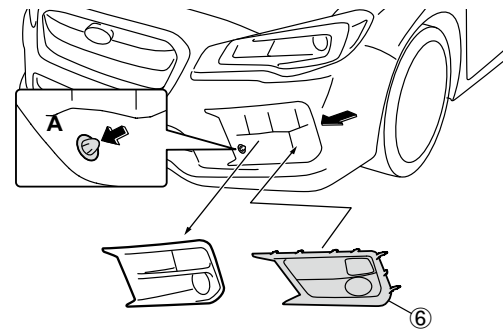
8



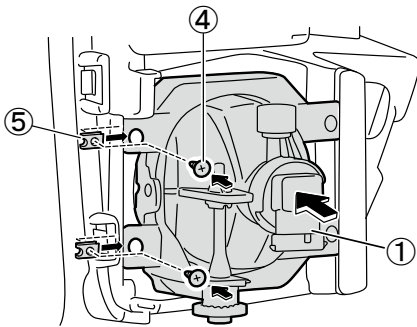
9



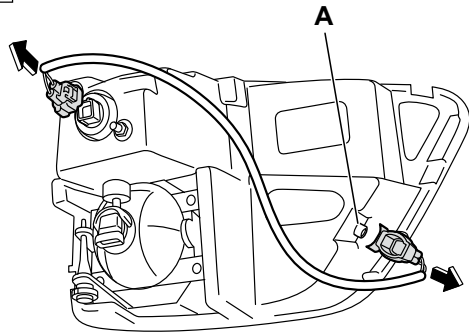
10



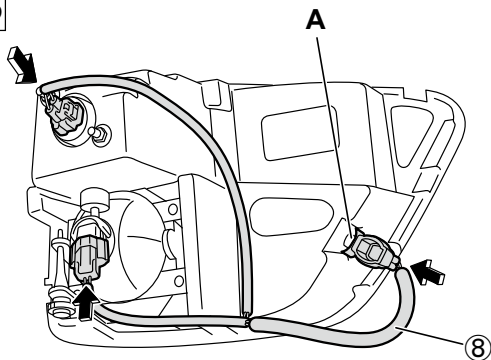
11



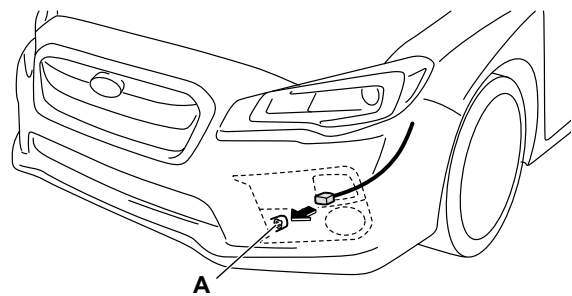
12



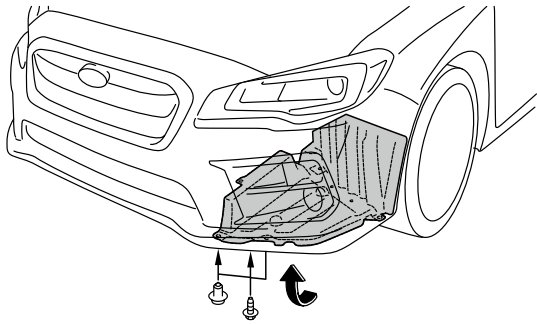
13



14



15



16

