

Thank You!

Please contact us if you have any trouble during the assembly process.



Contact us



ChildUniverse

Play Kitchen

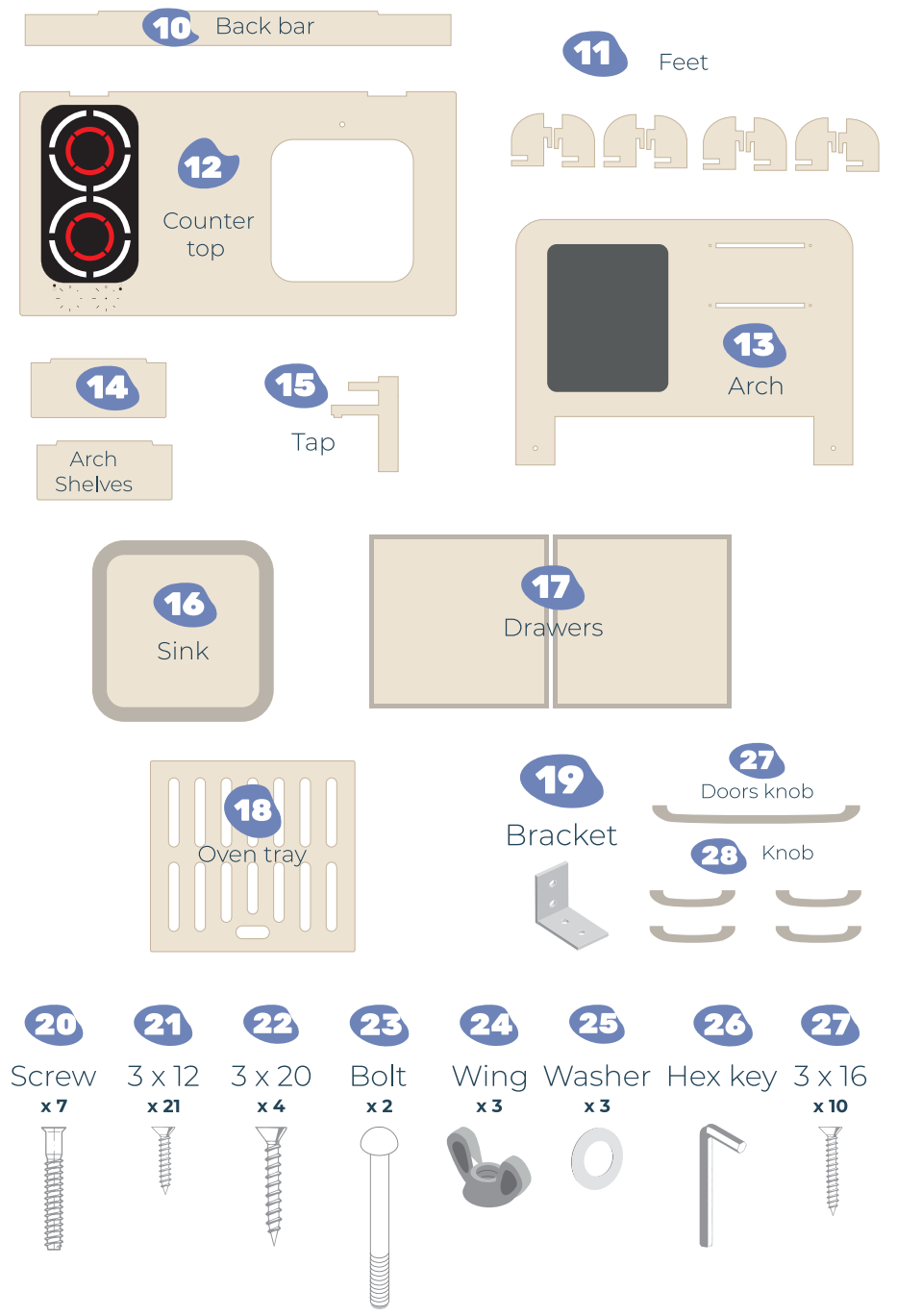
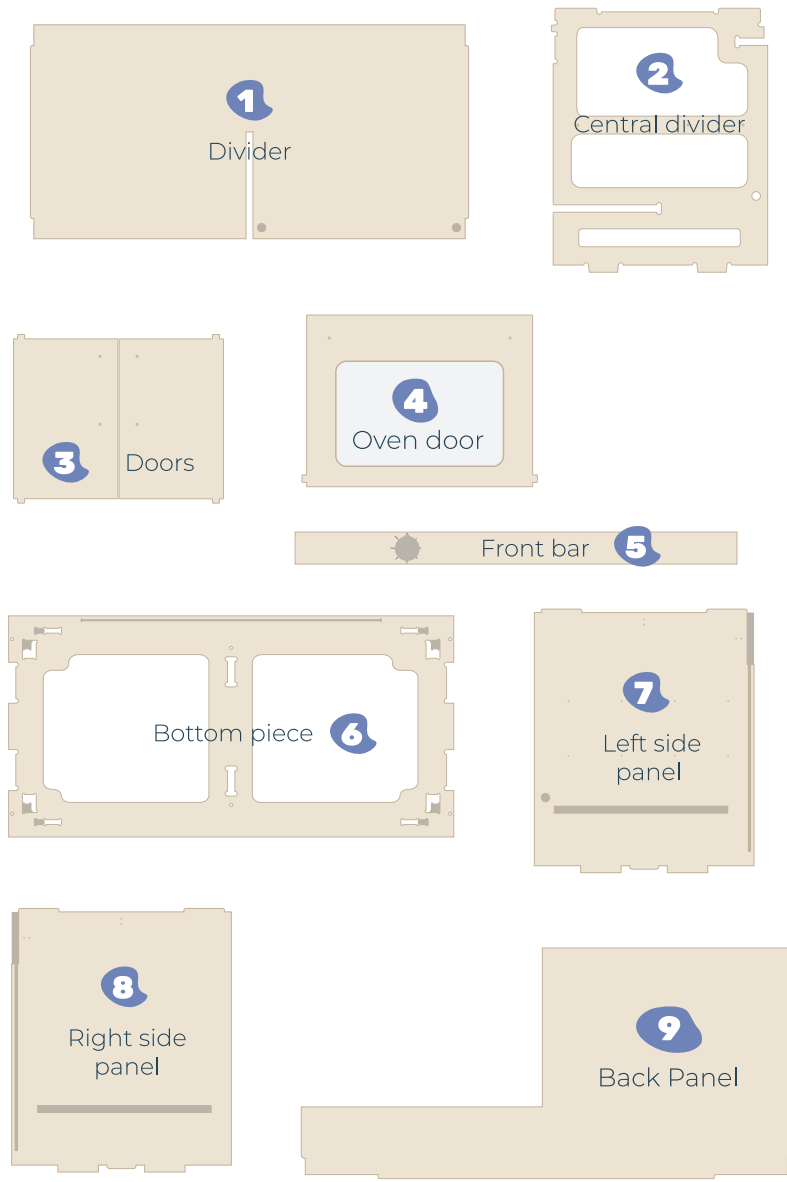
by  ChildUniverse



Assembly Instructions

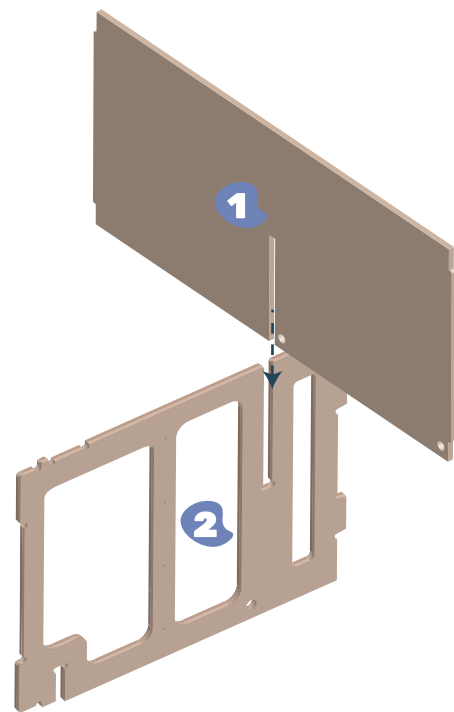
Contents must include following parts:

Please carefully check if all parts are included. Contact us if not



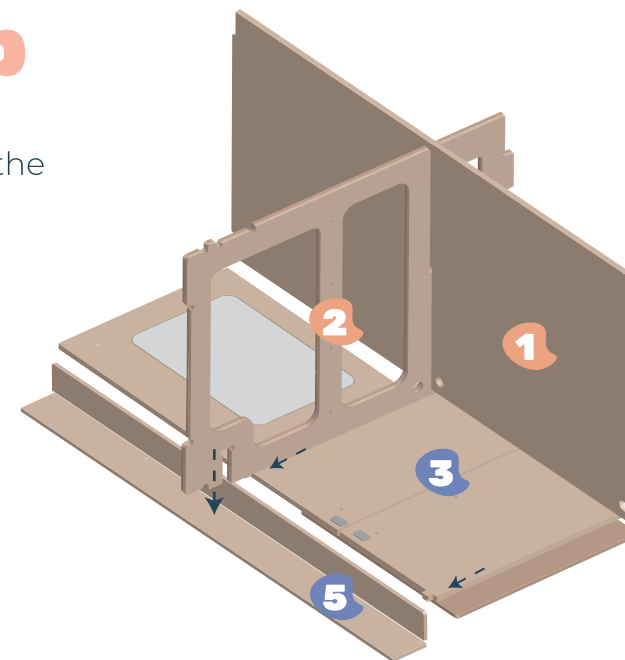
1 step

Put the Divider (1) in the Central Divider (2).



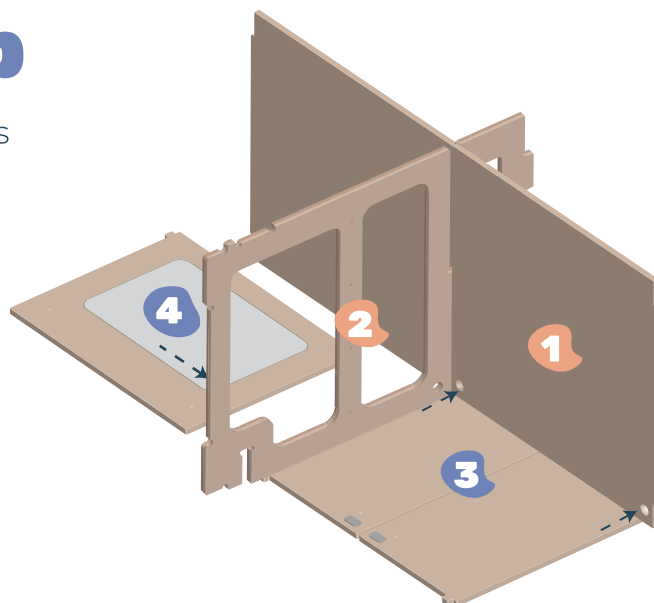
3 step

Attach the construction to the Front Bar (5).



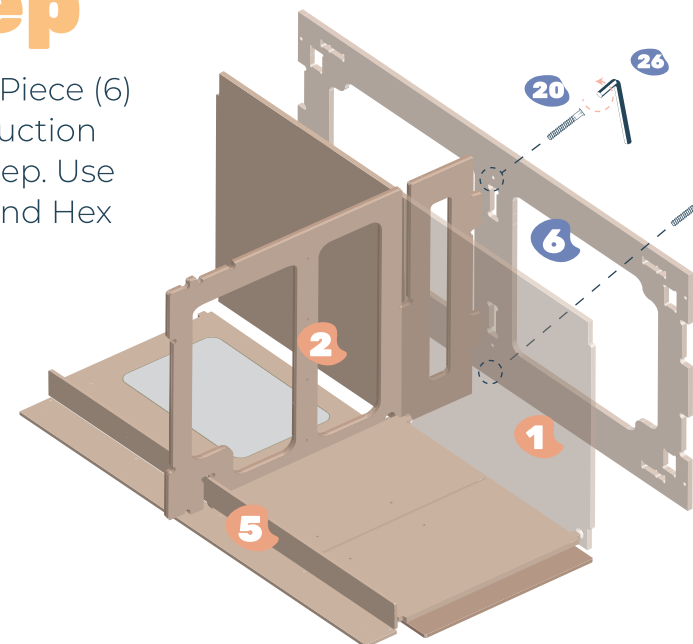
2 step

Attach the Doors (3) and Oven Door (4) to construction.



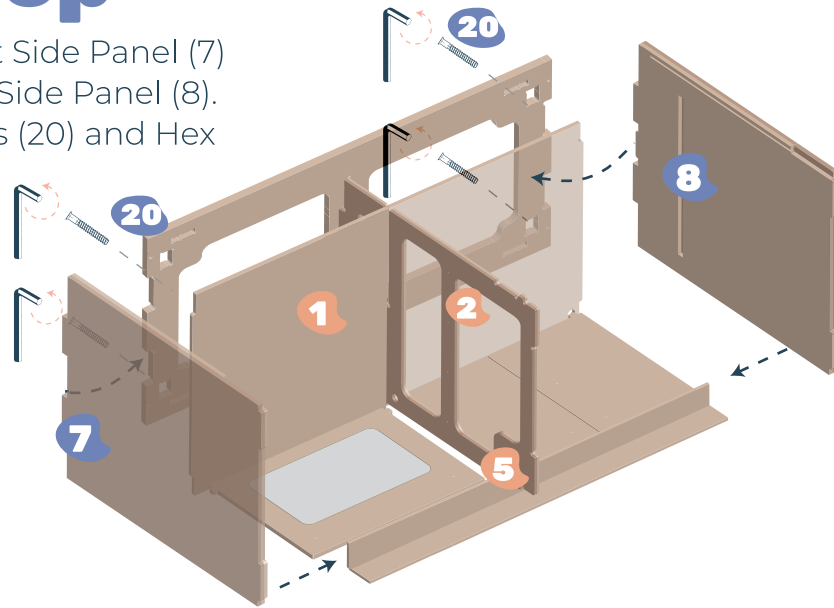
4 step

Add Bottom Piece (6) to the construction from the 3 Step. Use Screws (20) and Hex Key (26).



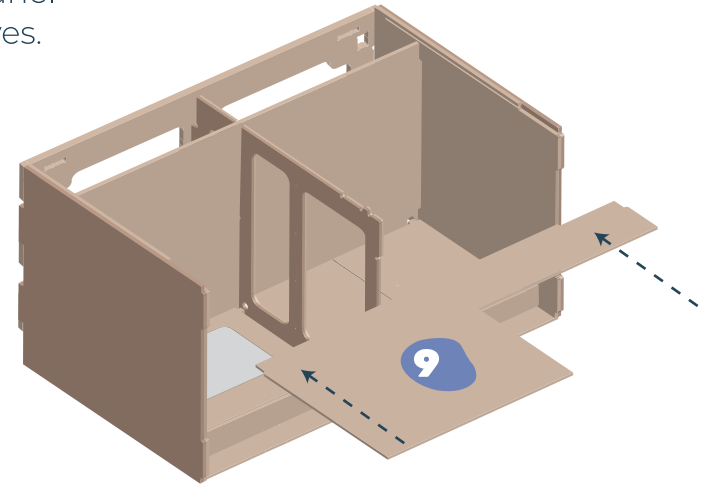
5 step

Attach Left Side Panel (7) and Right Side Panel (8). Use Screws (20) and Hex Keys (26).



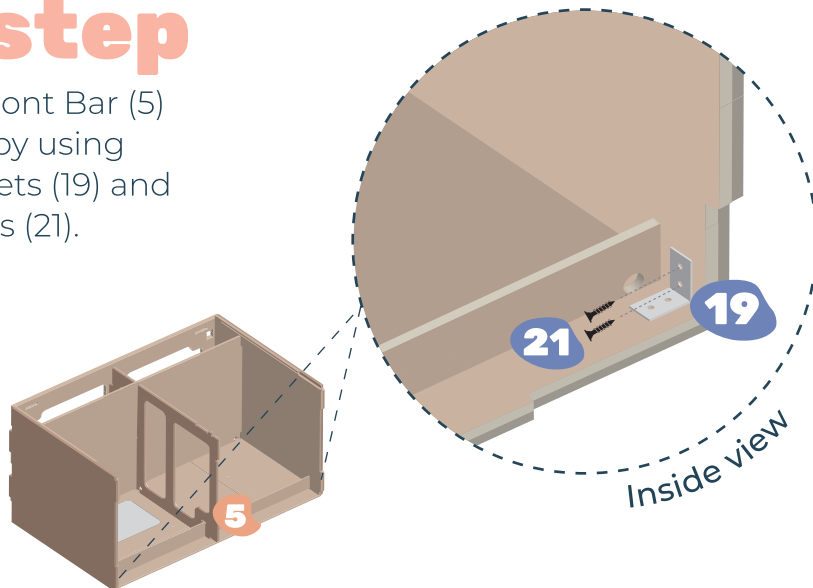
7 step

Slide Back Panel (9) into grooves.



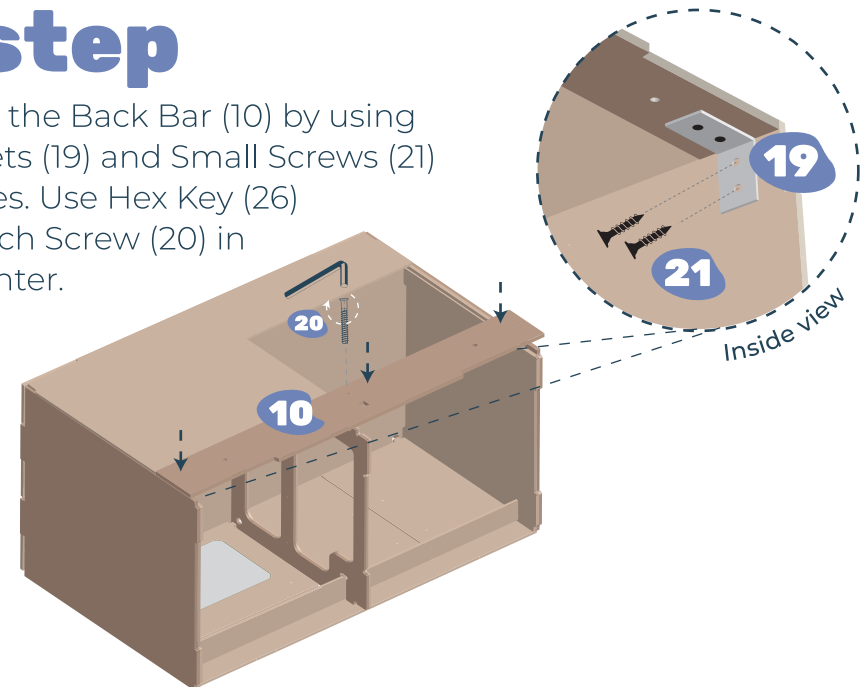
6 step

Get Front Bar (5) fixed by using Brackets (19) and Screws (21).



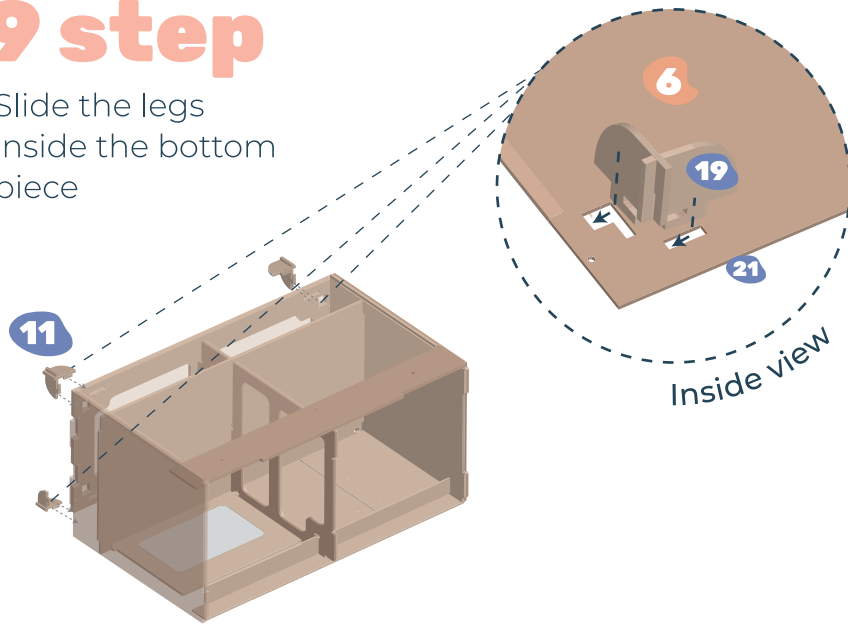
8 step

Attach the Back Bar (10) by using Brackets (19) and Small Screws (21) on sides. Use Hex Key (26) to attach Screw (20) in the center.



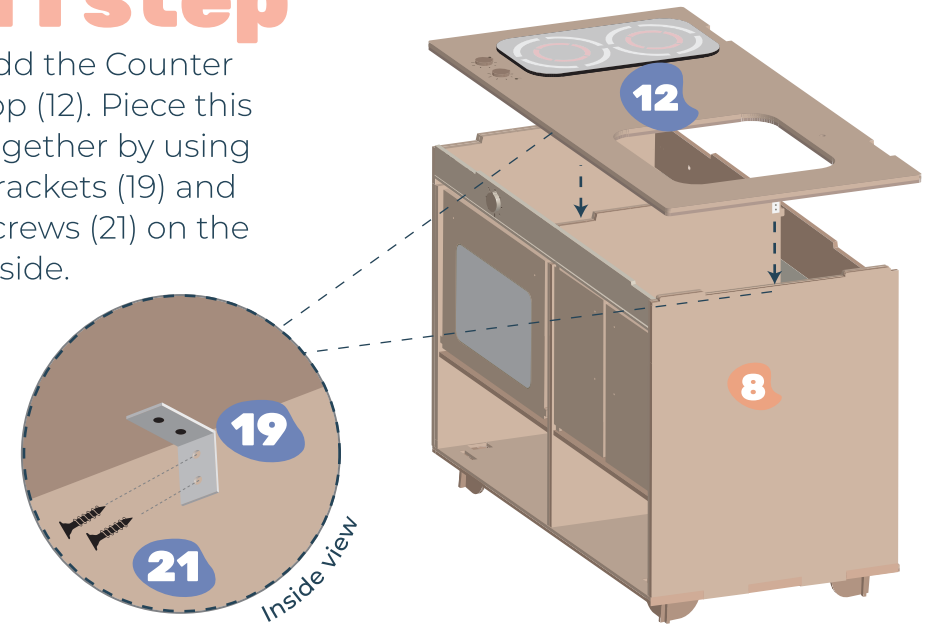
9 step

Slide the legs inside the bottom piece



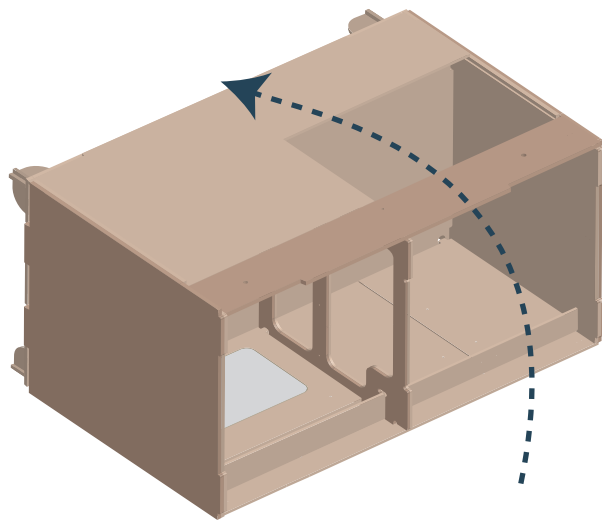
11 step

Add the Counter Top (12). Piece this together by using Brackets (19) and Screws (21) on the inside.



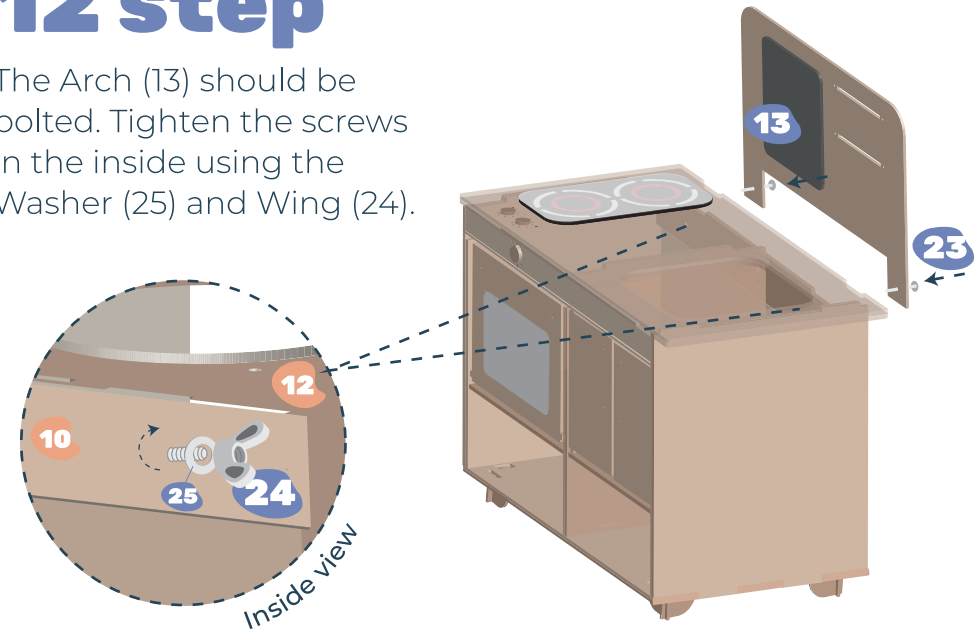
10 step

Safely turn the kitchen over.



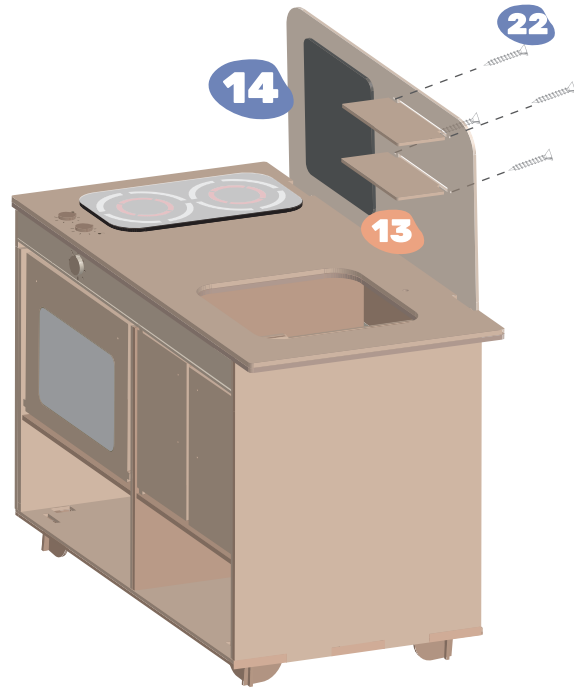
12 step

The Arch (13) should be bolted. Tighten the screws in the inside using the Washer (25) and Wing (24).



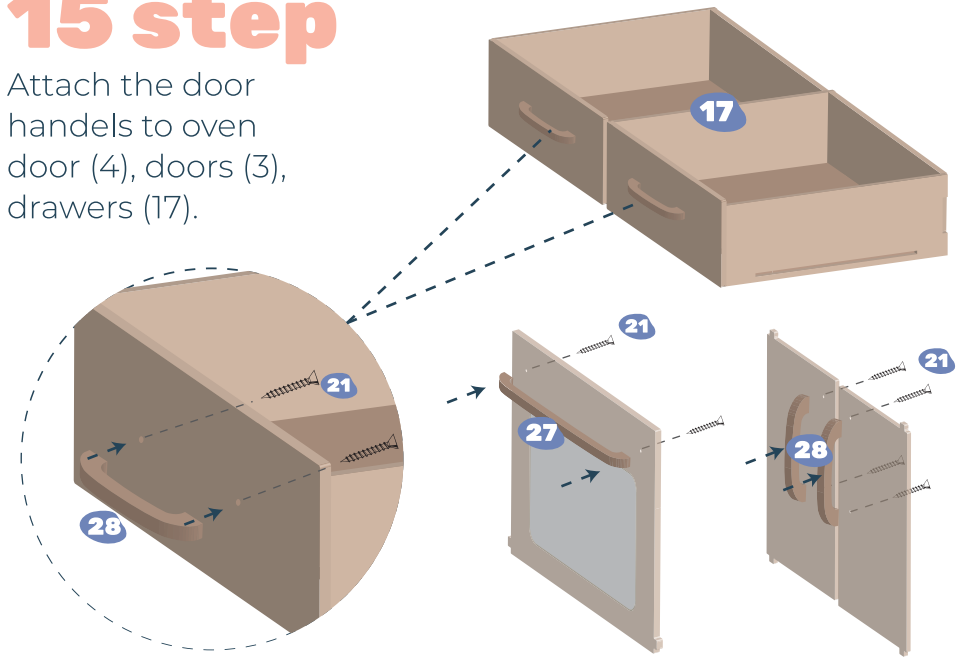
13 step

Attach Arch Shelves (14) using the Screws 3 x 20 (22).



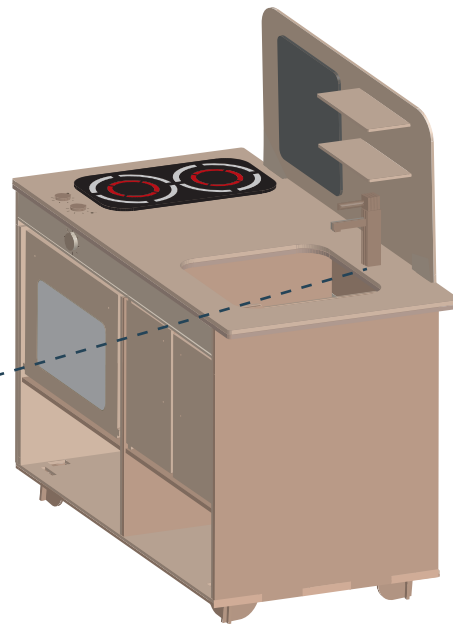
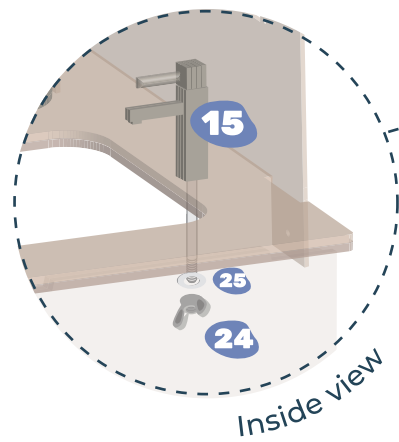
15 step

Attach the door handles to oven door (4), doors (3), and drawers (17).



14 step

Fit a kitchen Tap (15) using the Wing (24) and the Washer (25), bolt it, and tighten the screw in the inside.



16 step

Insert drawers, trays, and sink into kitchen, and enjoy taking the protective film off the stove.

