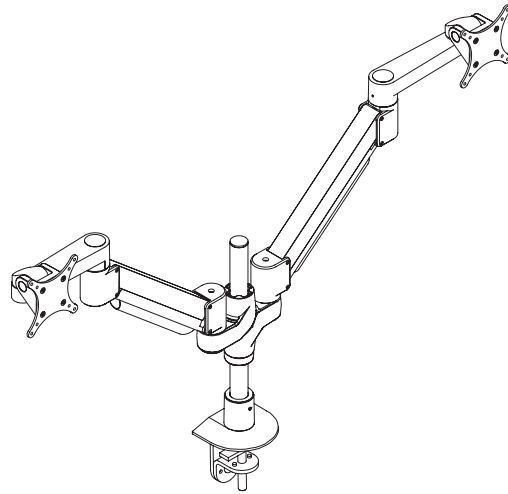
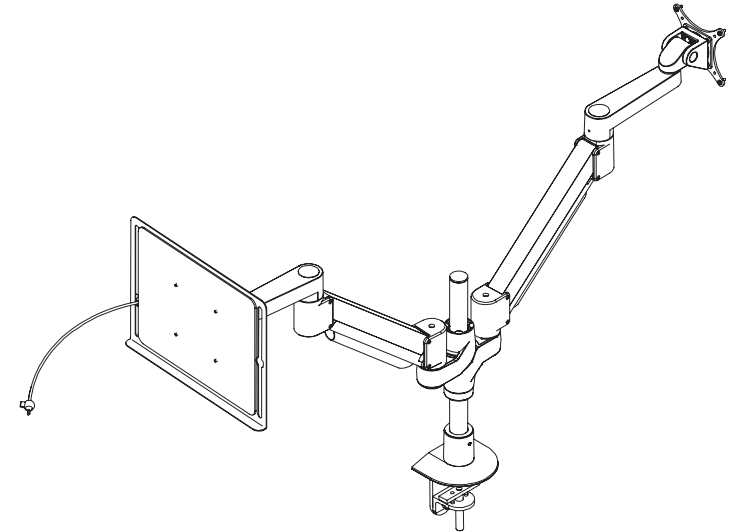


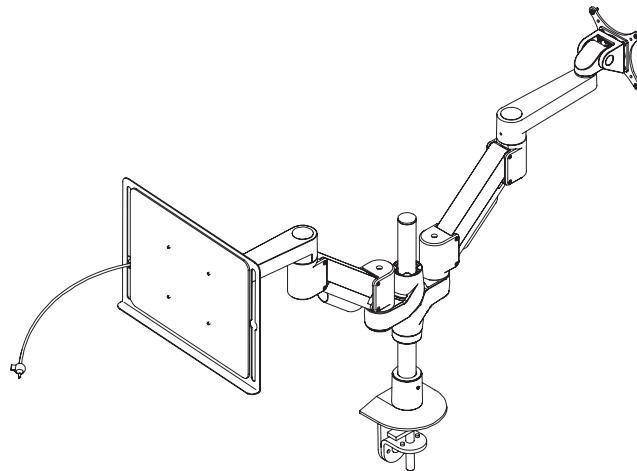
**STX-450**



**STX-500  
STX-600  
STX-800  
STX-1000**



**STX-500-8510  
STX-600-8510  
STX-800-8510  
STX-1000-8510**



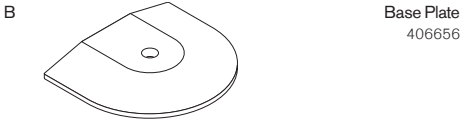
**STX-450-8510**

# STAXX™

## Parts List



**A** Mount Column  
401328



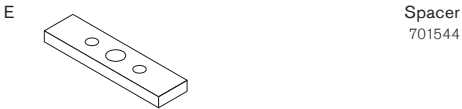
**B** Base Plate  
406656



**C** Large "L" Bracket  
701117



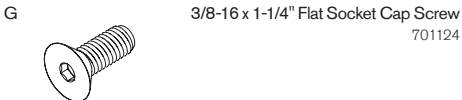
**D** Small "L" Bracket  
111728



**E** Spacer  
701544



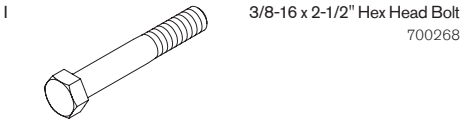
**F** 3/8-16 x 1/2" BHSCS  
702898



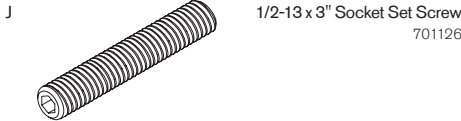
**G** 3/8-16 x 1-1/4" Flat Socket Cap Screw  
701124



**H** 3/8-16 Nylon Stop Nut  
701418



**I** 3/8-16 x 2-1/2" Hex Head Bolt  
700268



**J** 1/2-13 x 3" Socket Set Screw  
701126



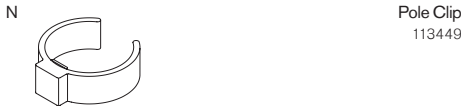
**K** Dimpled Pole  
113868



**L** Stackable Mount  
413054



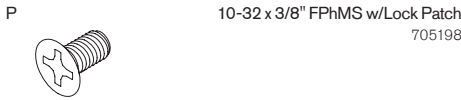
**M** Pole Collar  
113332



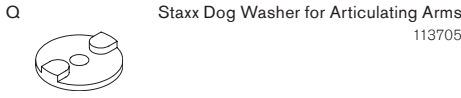
**N** Pole Clip  
113449



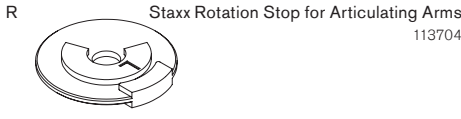
**O** Dog Washer  
105189



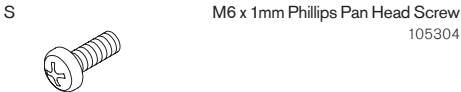
**P** 10-32 x 3/8" FPhMS w/Lock Patch  
705198



**Q** Staxx Dog Washer for Articulating Arms  
113705



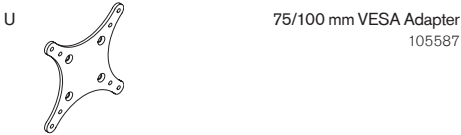
**R** Staxx Rotation Stop for Articulating Arms  
113704



**S** M6 x 1mm Phillips Pan Head Screw  
105304



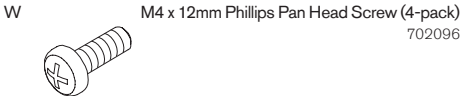
**T** 10-32 x 3/8" Phillips Pan Head Screw (4-pack)  
702281



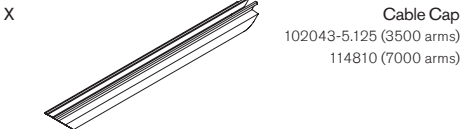
**U** 75/100 mm VESA Adapter  
105587



**V** Monitor Tilter  
405397



**W** M4 x 12mm Phillips Pan Head Screw (4-pack)  
702096



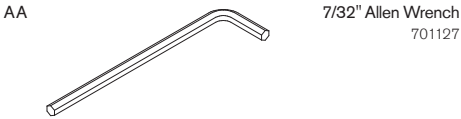
**X** Cable Cap  
102043-5.125 (3500 arms)  
114810 (7000 arms)



**Y** Cable Clip  
104533



**Z** Pole Cap  
105195



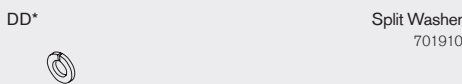
**AA** 7/32" Allen Wrench  
701127



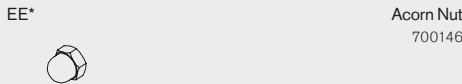
**BB** 3/32" Allen Wrench  
700146



**CC\*** Laptop Holder  
8510



**DD\*** Split Washer  
701910

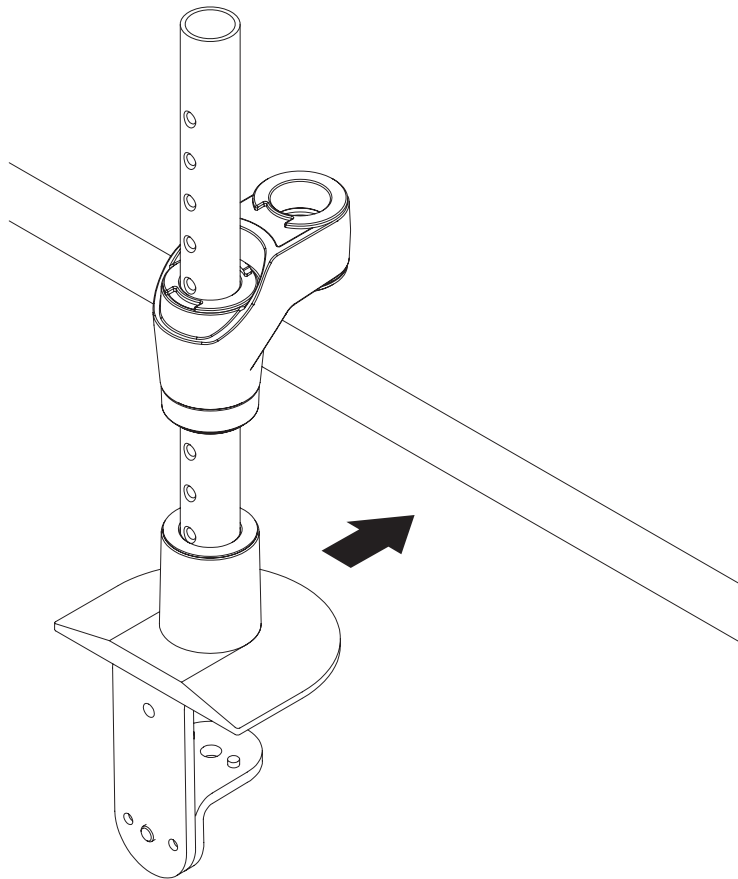


**EE\*** Acorn Nut  
700146

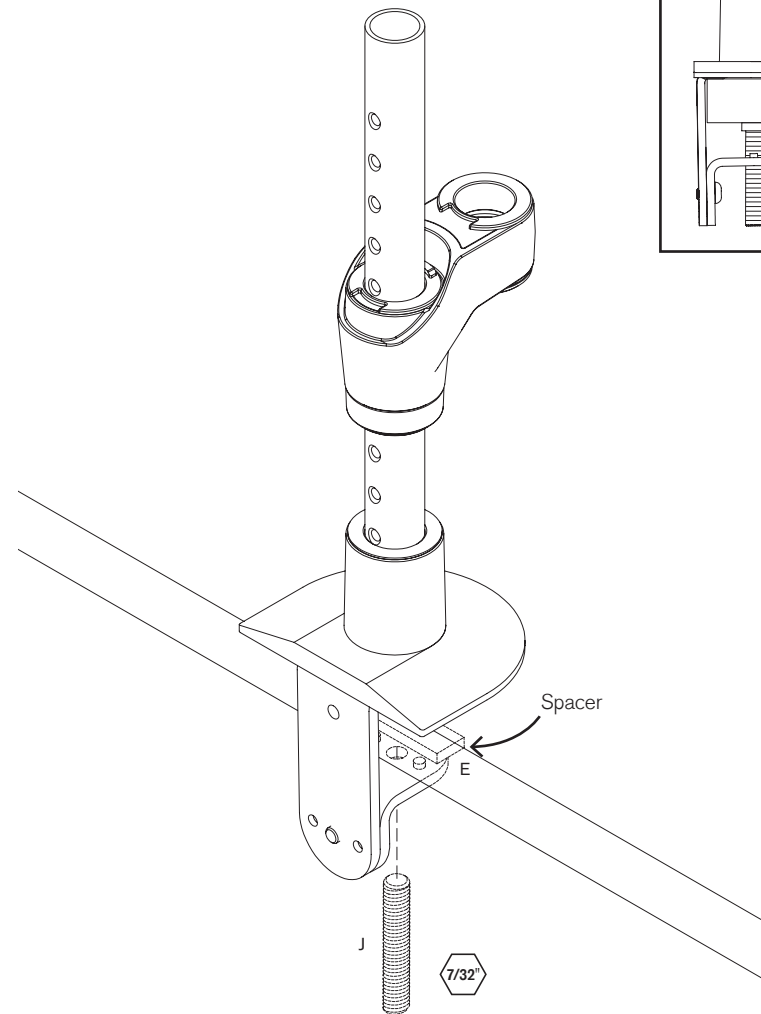
\*Included with STX-XXX-8510 only.

# MOUNT | DESK EDGE CONFIGURATION

1a

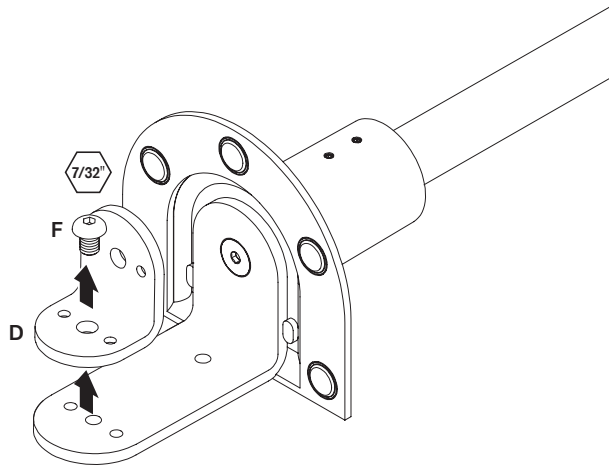


1b

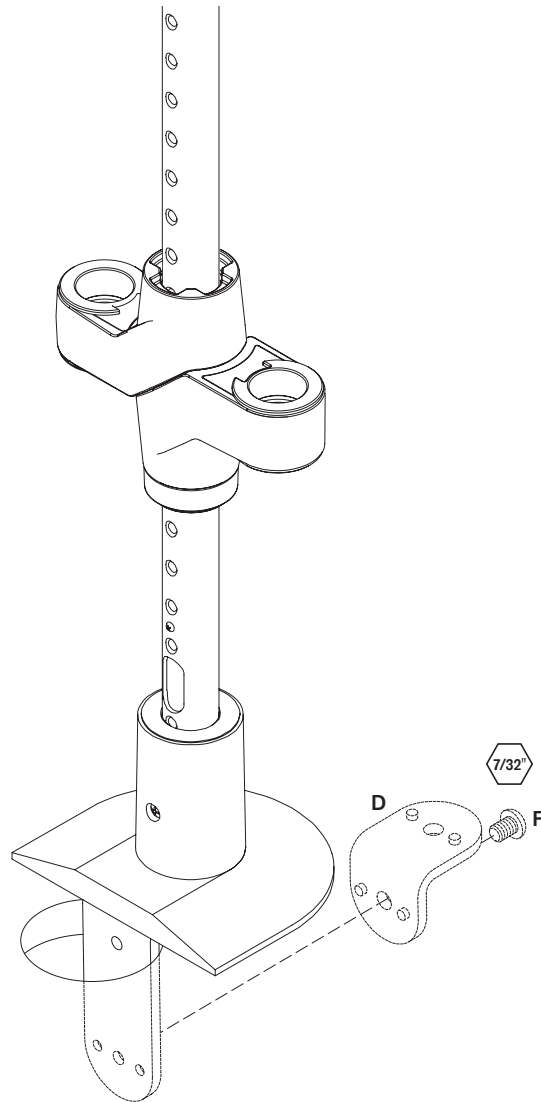


# MOUNT | GROMMET CONFIGURATION

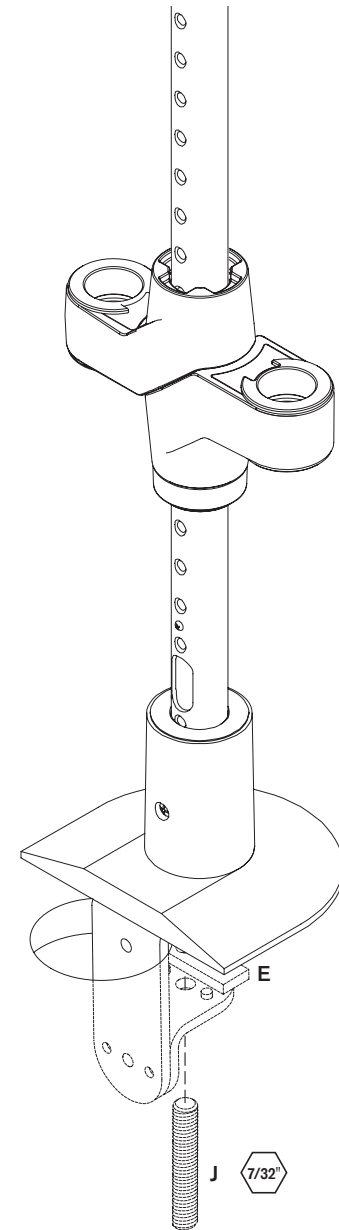
1c



1d

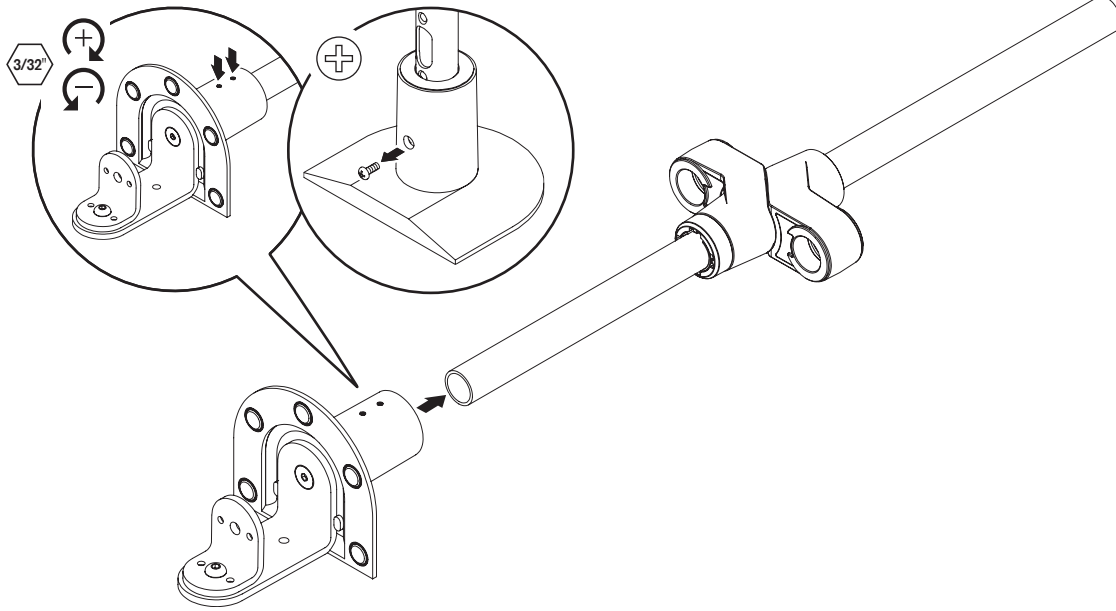


1e

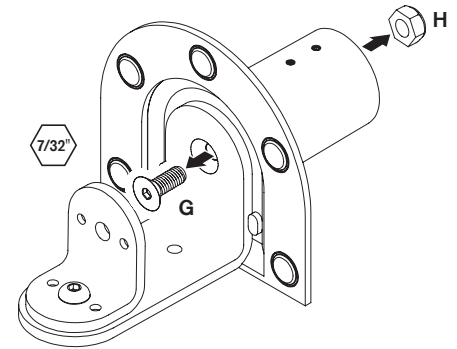


# MOUNT | THRU-DESK CONFIGURATION

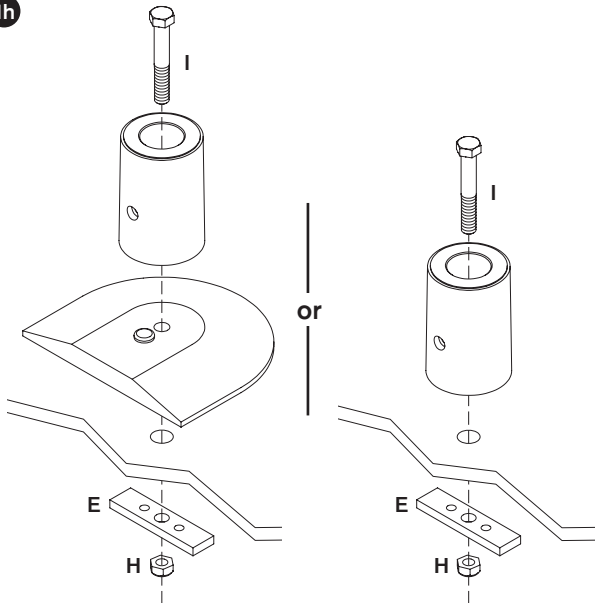
1f



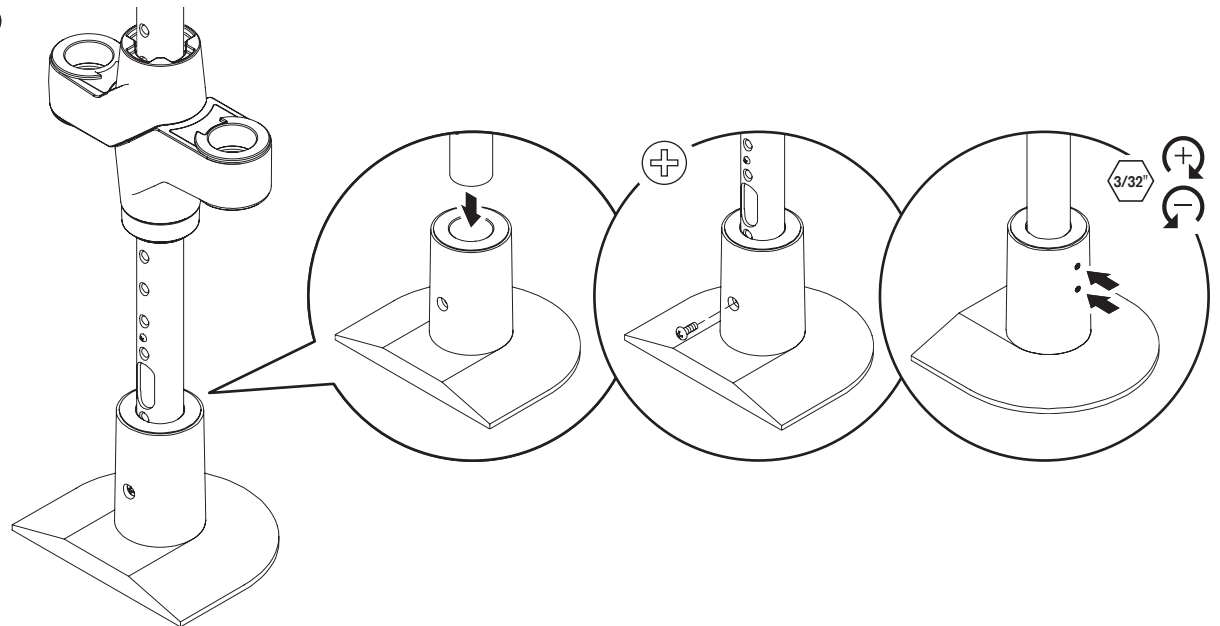
1g



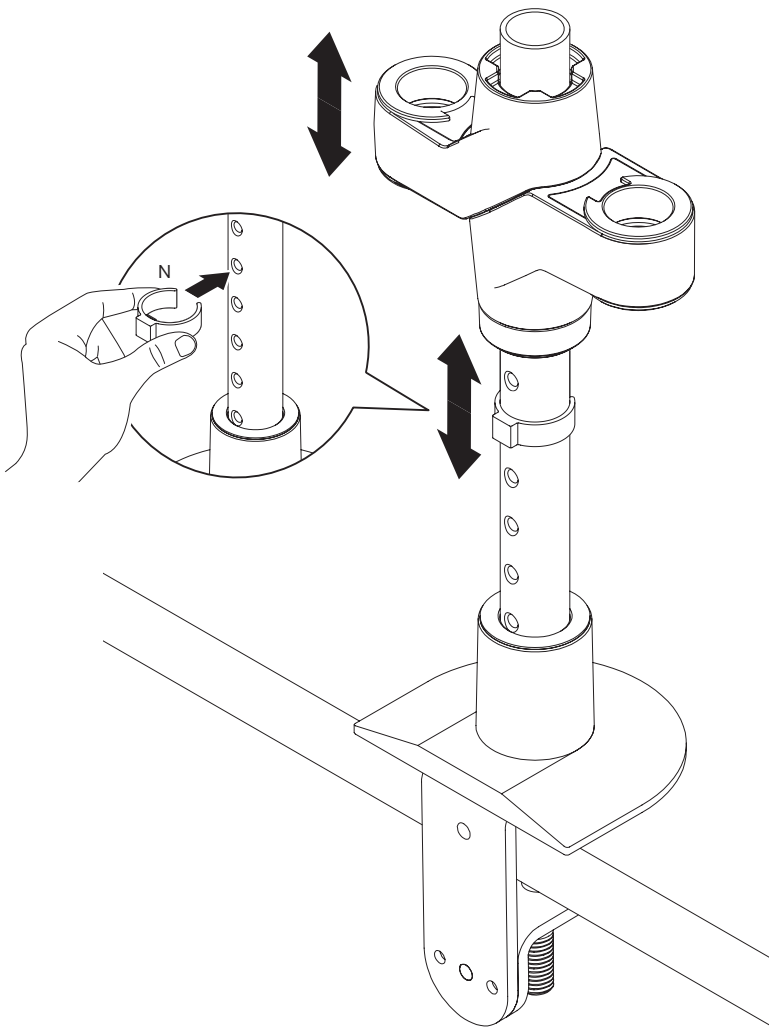
1h



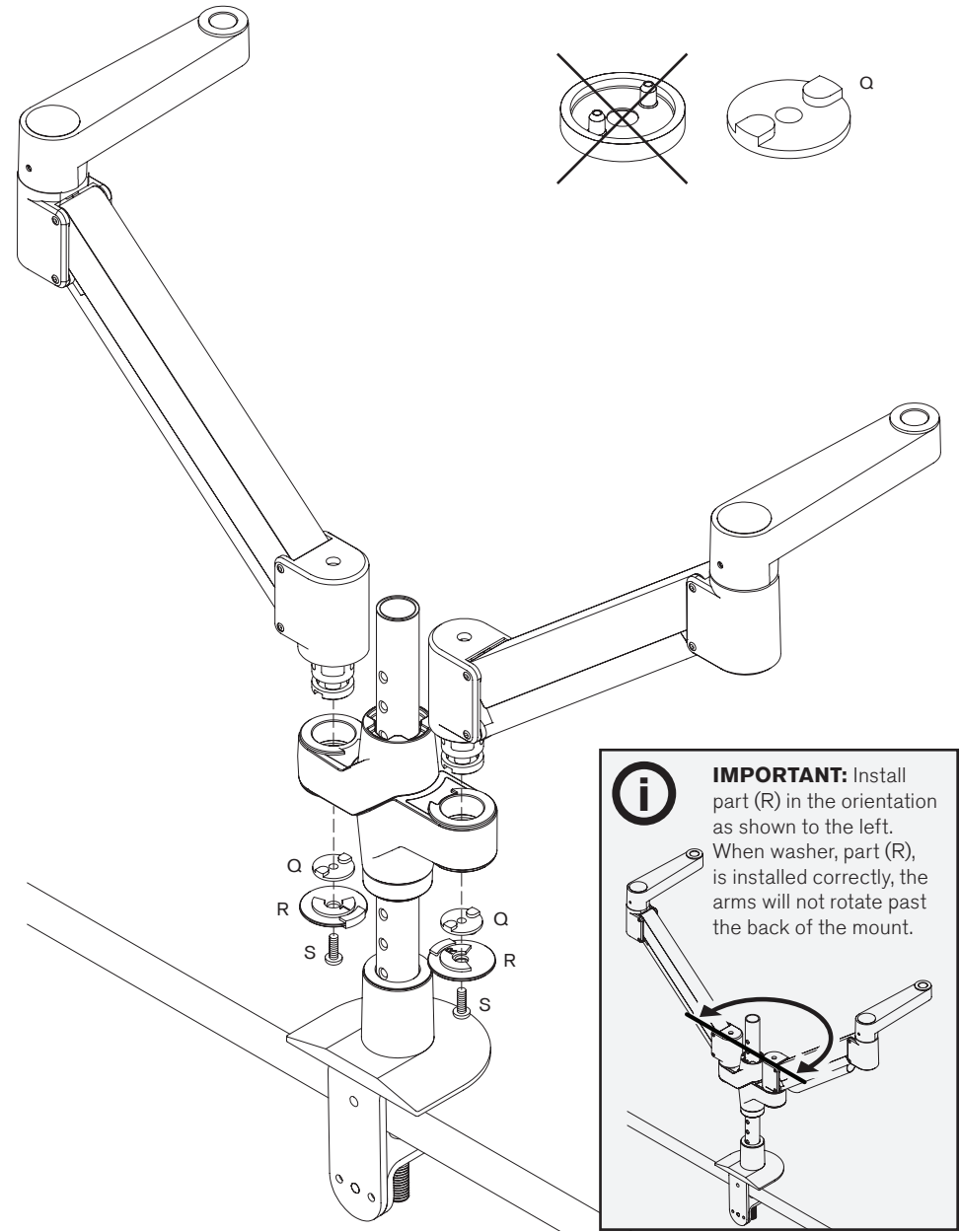
1i



2

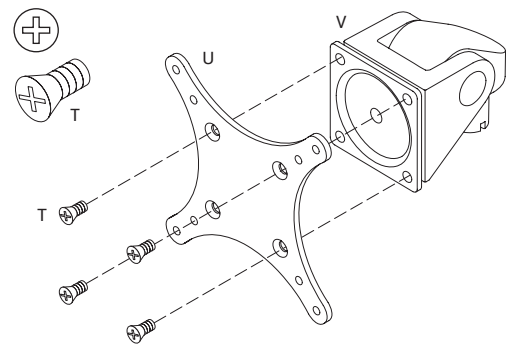


3

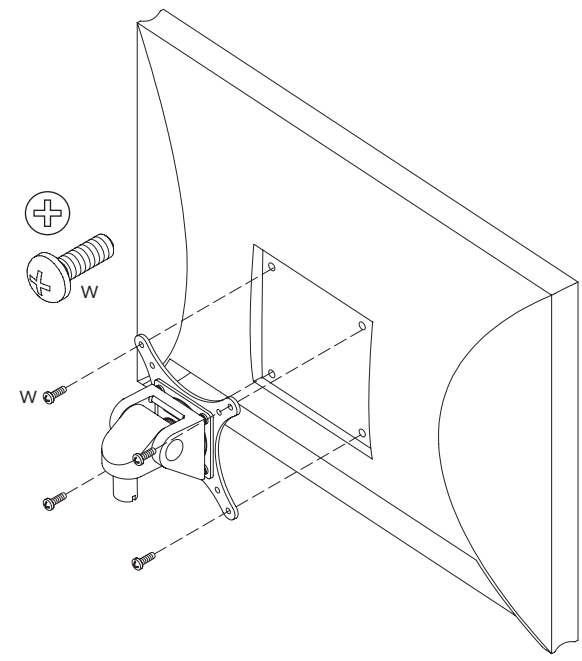


**i** **IMPORTANT:** Install part (R) in the orientation as shown to the left. When washer, part (R), is installed correctly, the arms will not rotate past the back of the mount.

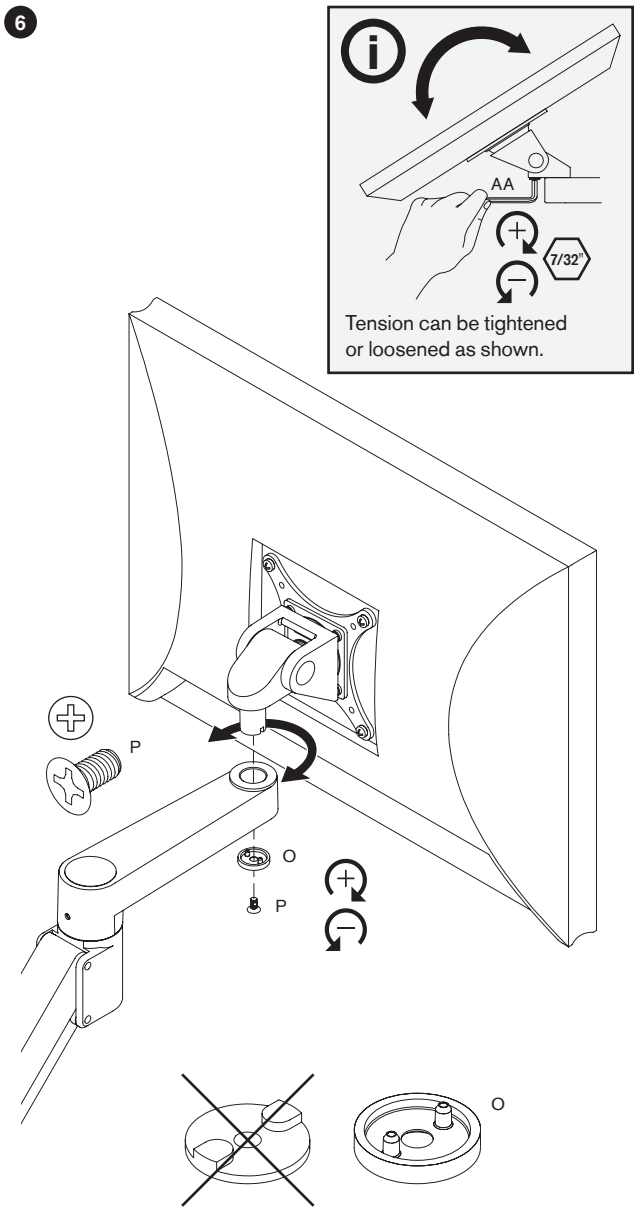
4



5



6



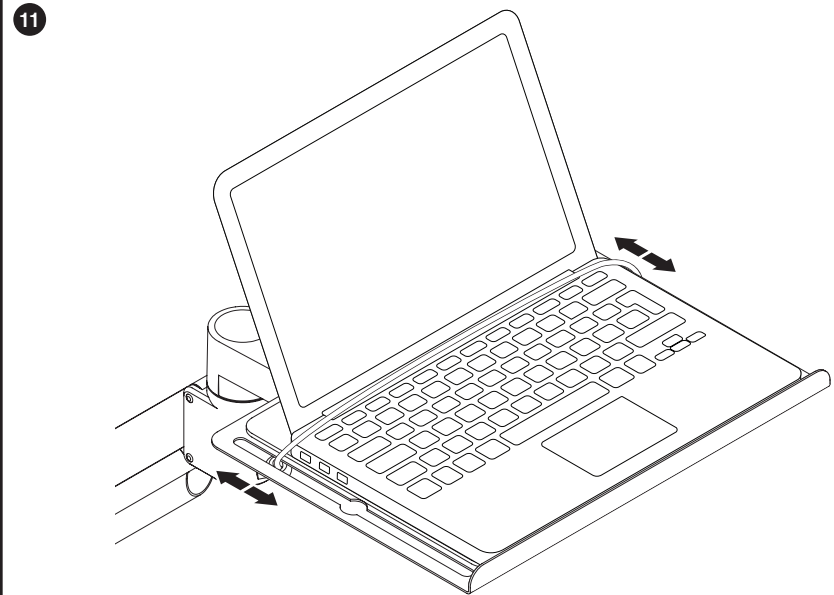
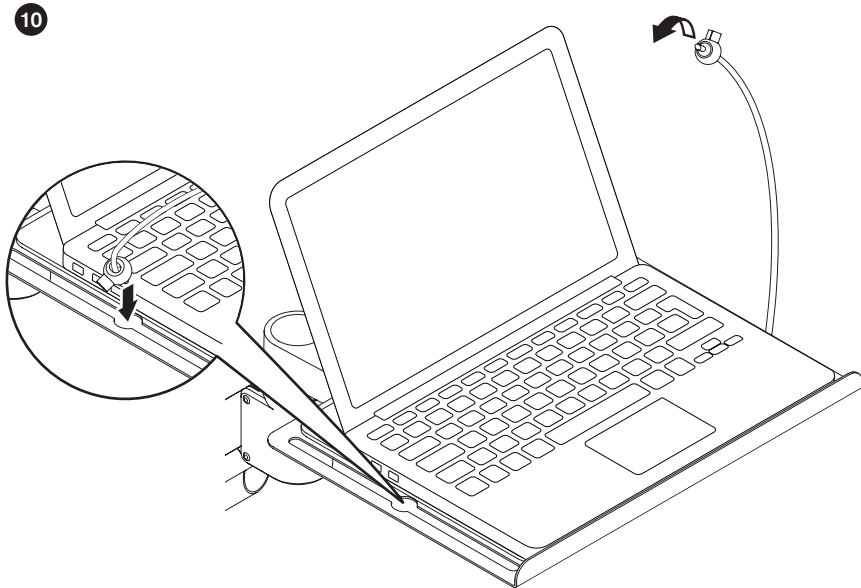
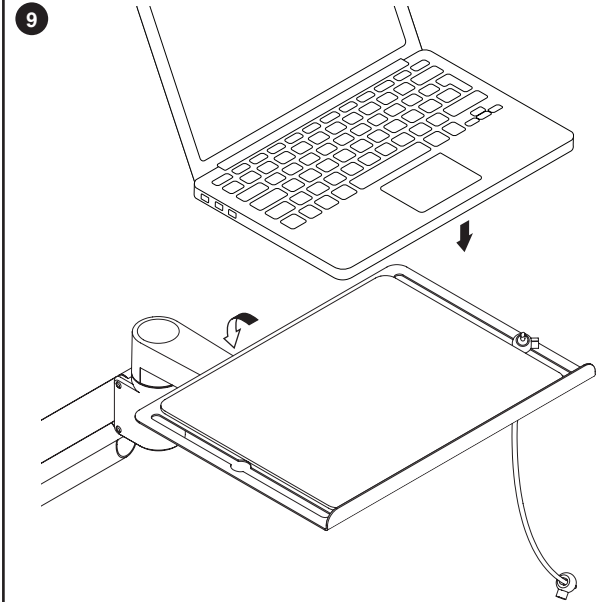
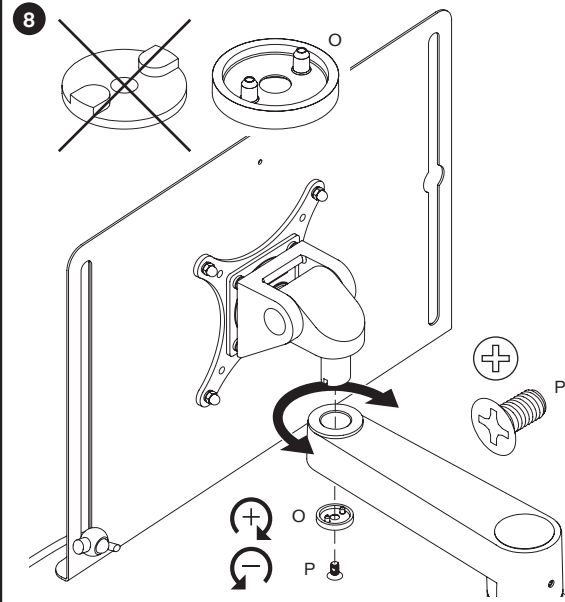
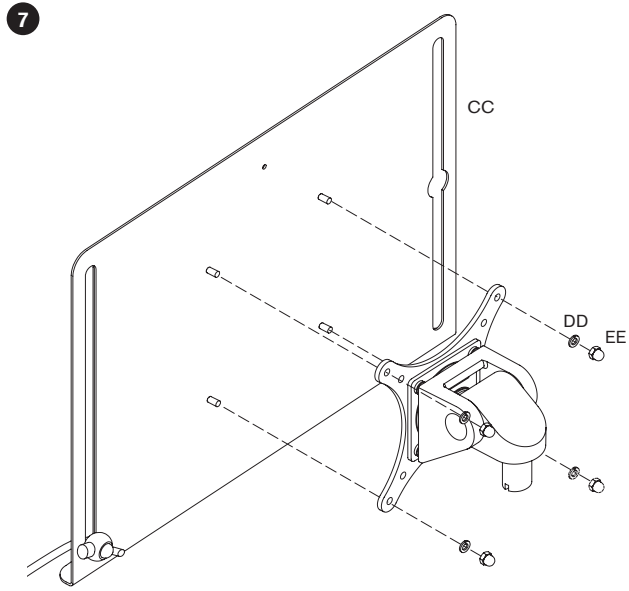
**i**

AA

1/32"

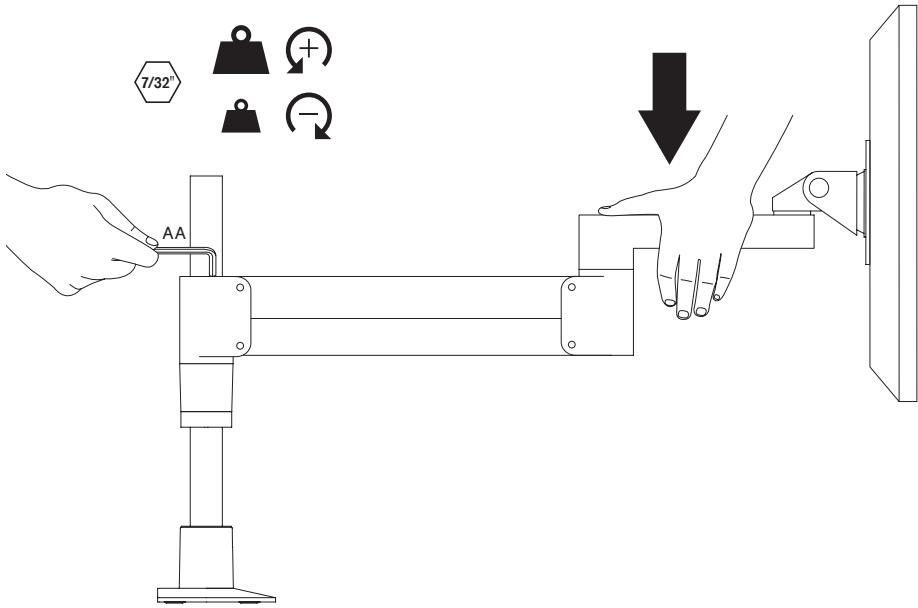
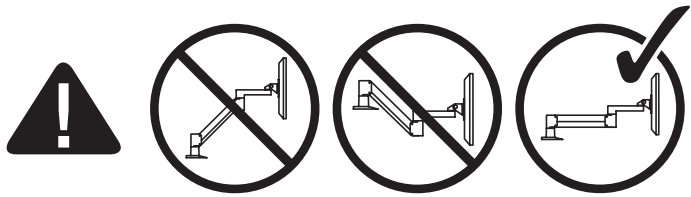
Tension can be tightened or loosened as shown.

**ARE YOU INSTALLING: STX-XXX-8510?**  
IF NOT, PLEASE CONTINUE TO STEP 12.



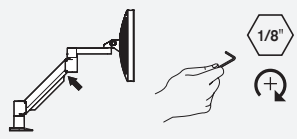


12



**In some instances,** an additional counterbalance adjustment may be needed to allow the arm's instant height adjustment function to work properly.

If your arm is not staying in position after performing step 12, tighten the adjustment screw with a 1/8" Allen wrench.



Tighten the adjustment screw.

13

