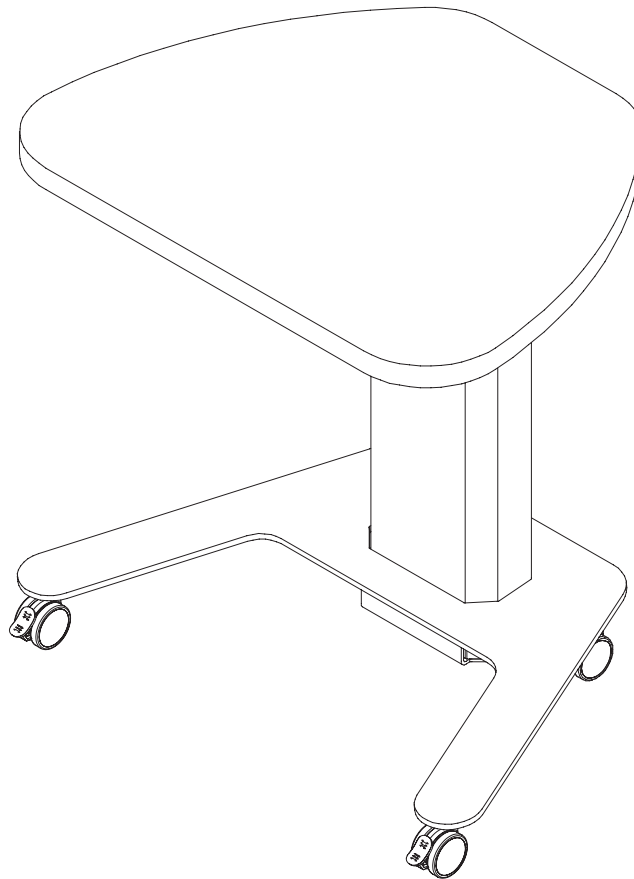


M-Series Nesting Desk

Installation Instructions



Contact Information

Headquarters
100 Kuebler Rd
Easton, PA 18040

800-524-2744

www.team-ies.com

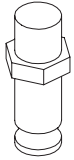
Customer Service:
cs@team-ies.com

Any additional hardware received than what's shown below can be discarded.

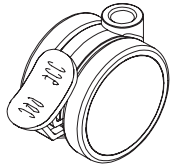
M-Series Nesting Desk

Parts List

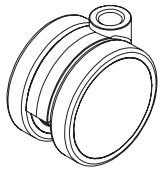
A Caster Stem 4x



B Locking Casters 2x



C Non-Locking Casters 2x



D M6 x 25mm 8x



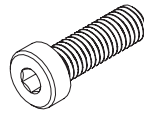
E Wire Clips 3x



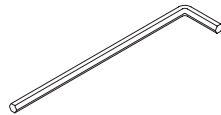
F M4 x 16 Wood Screws 7x



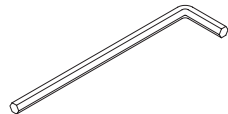
G M8 x 30mm 4x



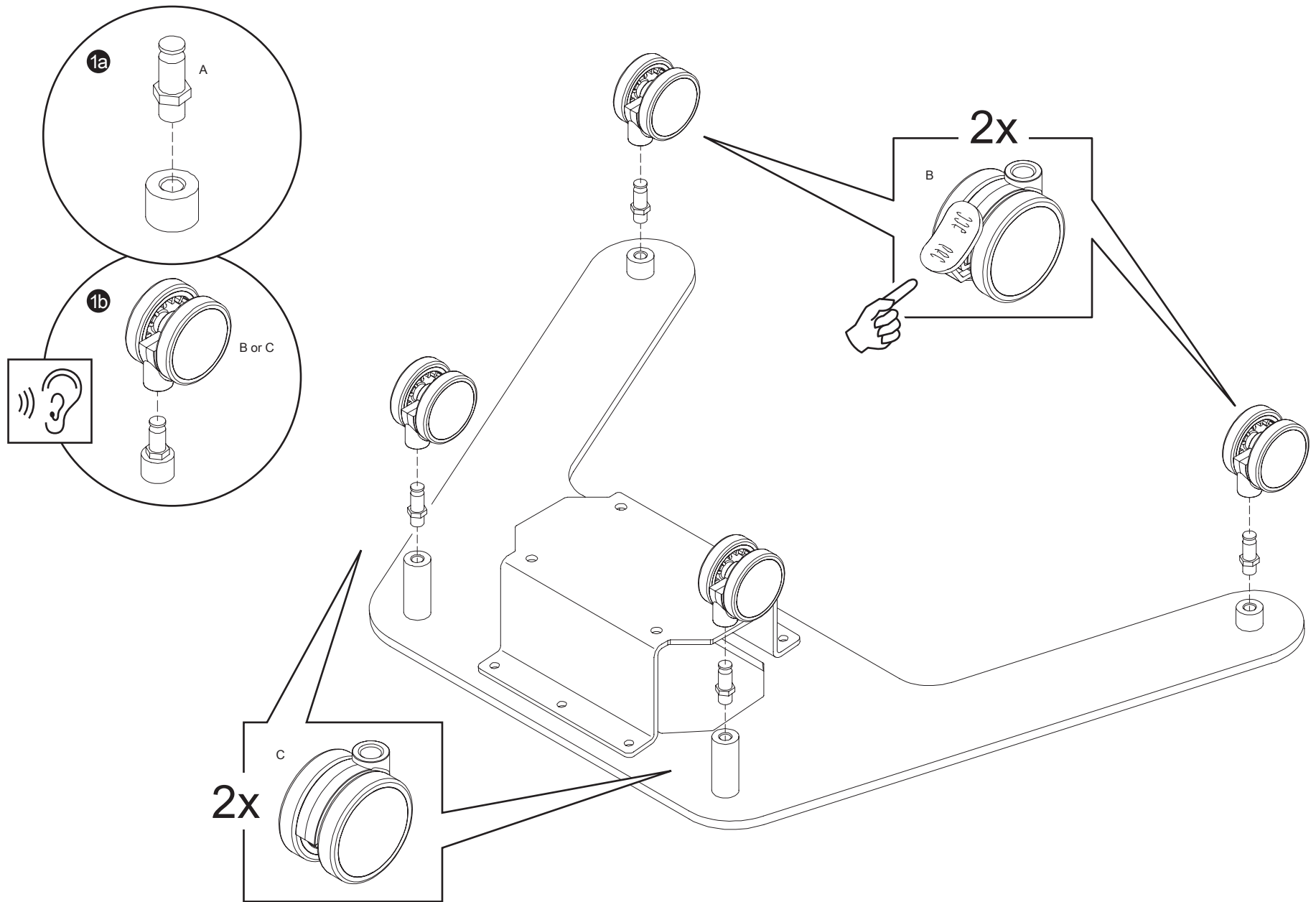
H 4mm Hex Key 1x



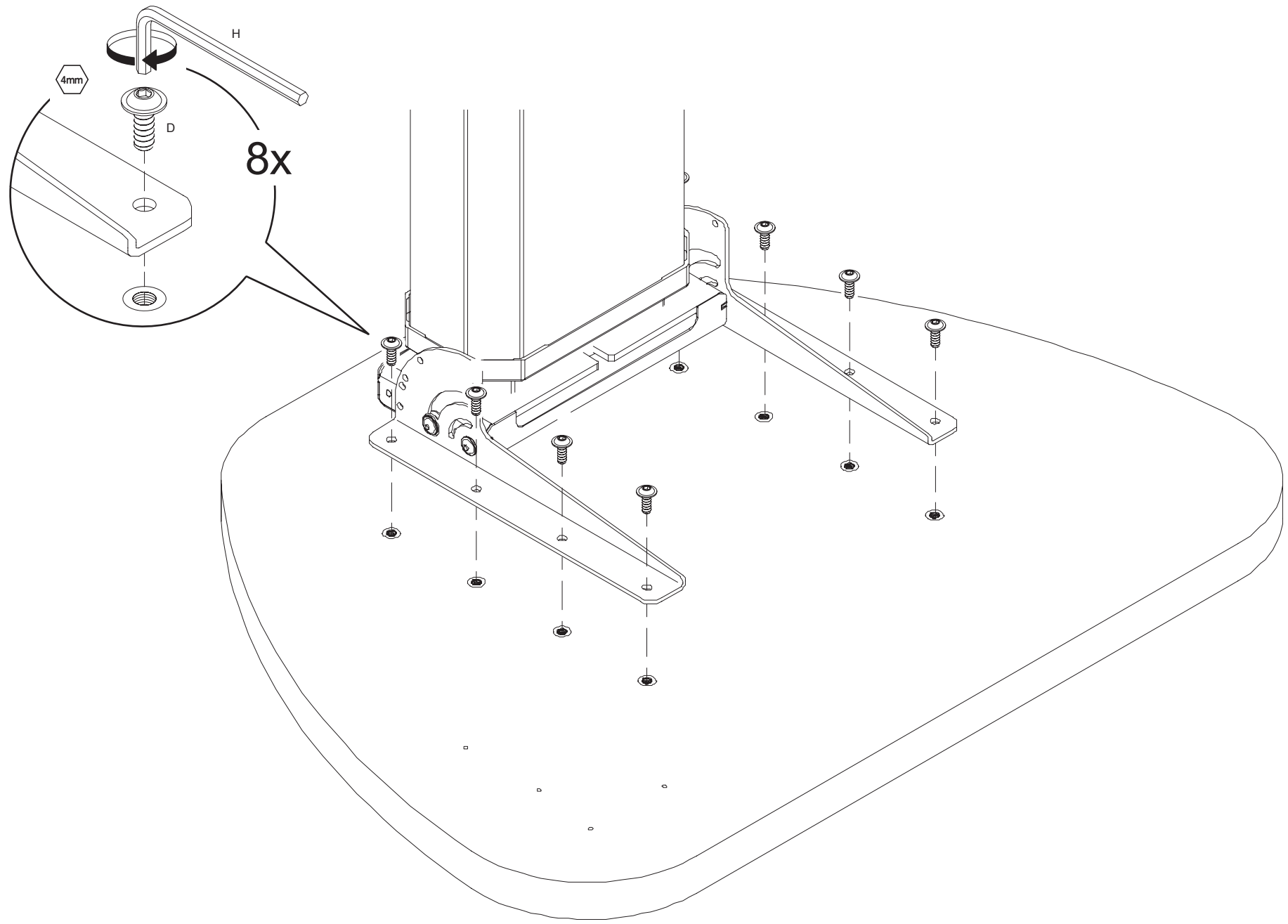
I 5mm Hex Key 1x



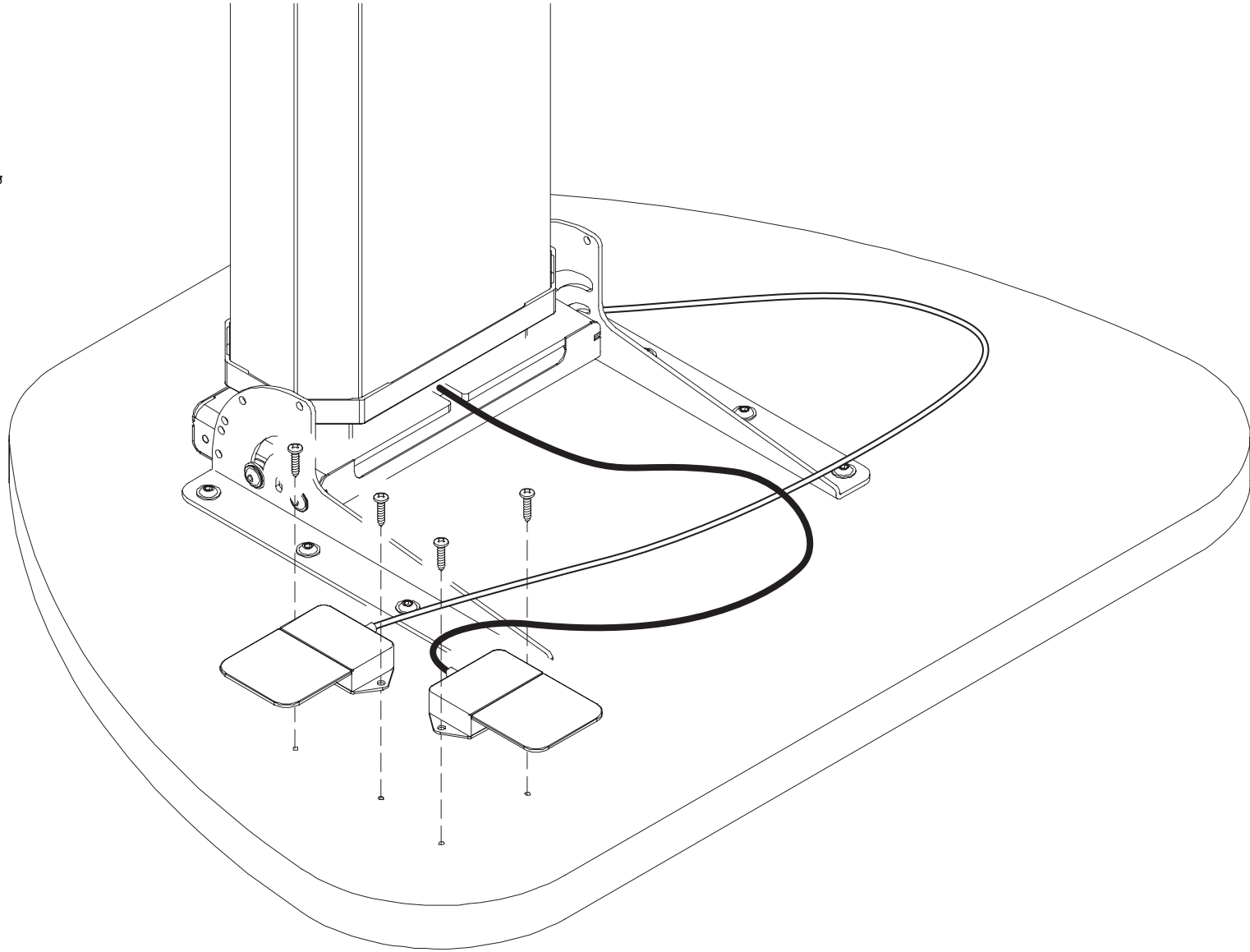
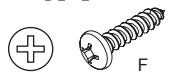
1

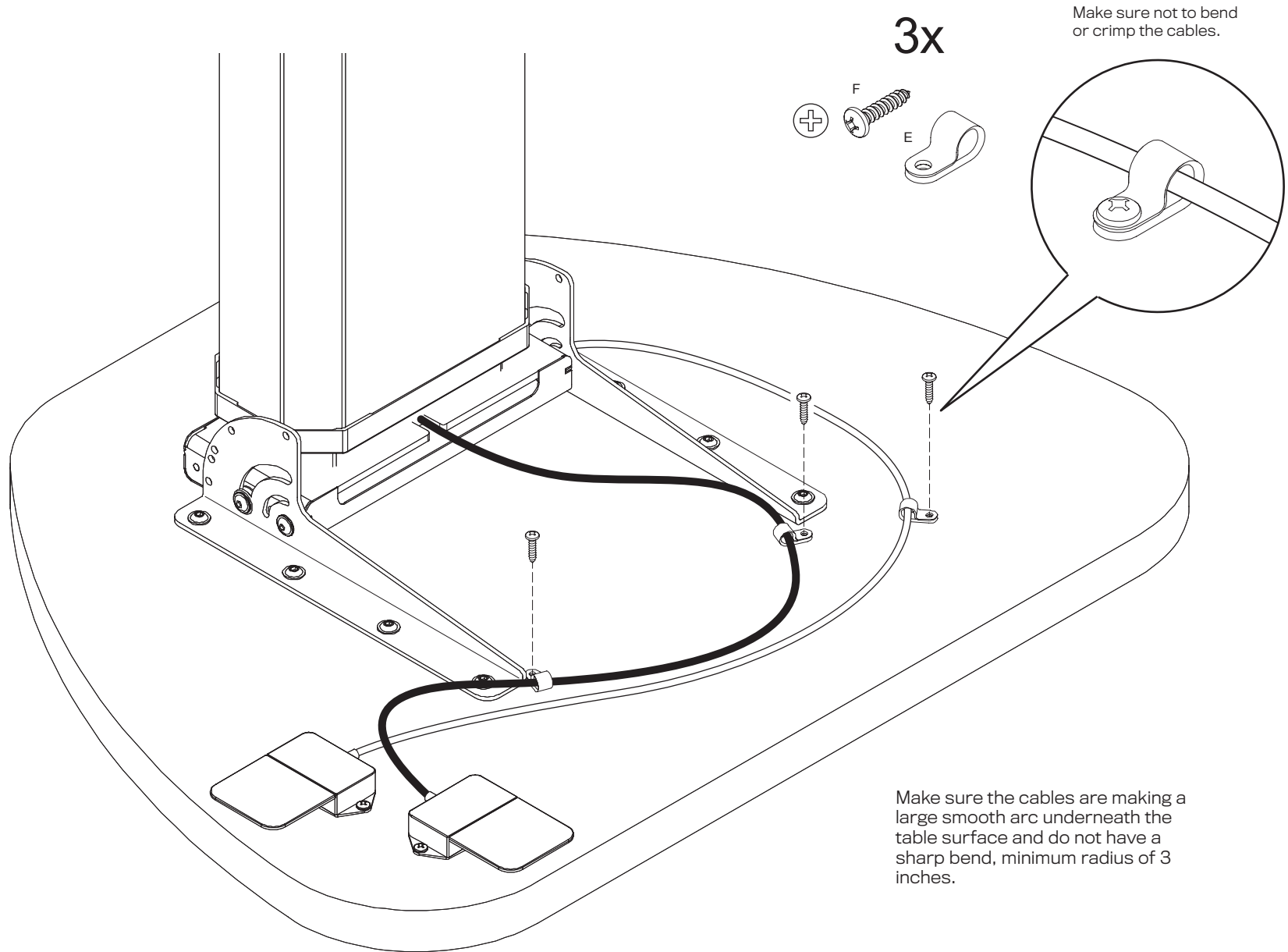


2



4x

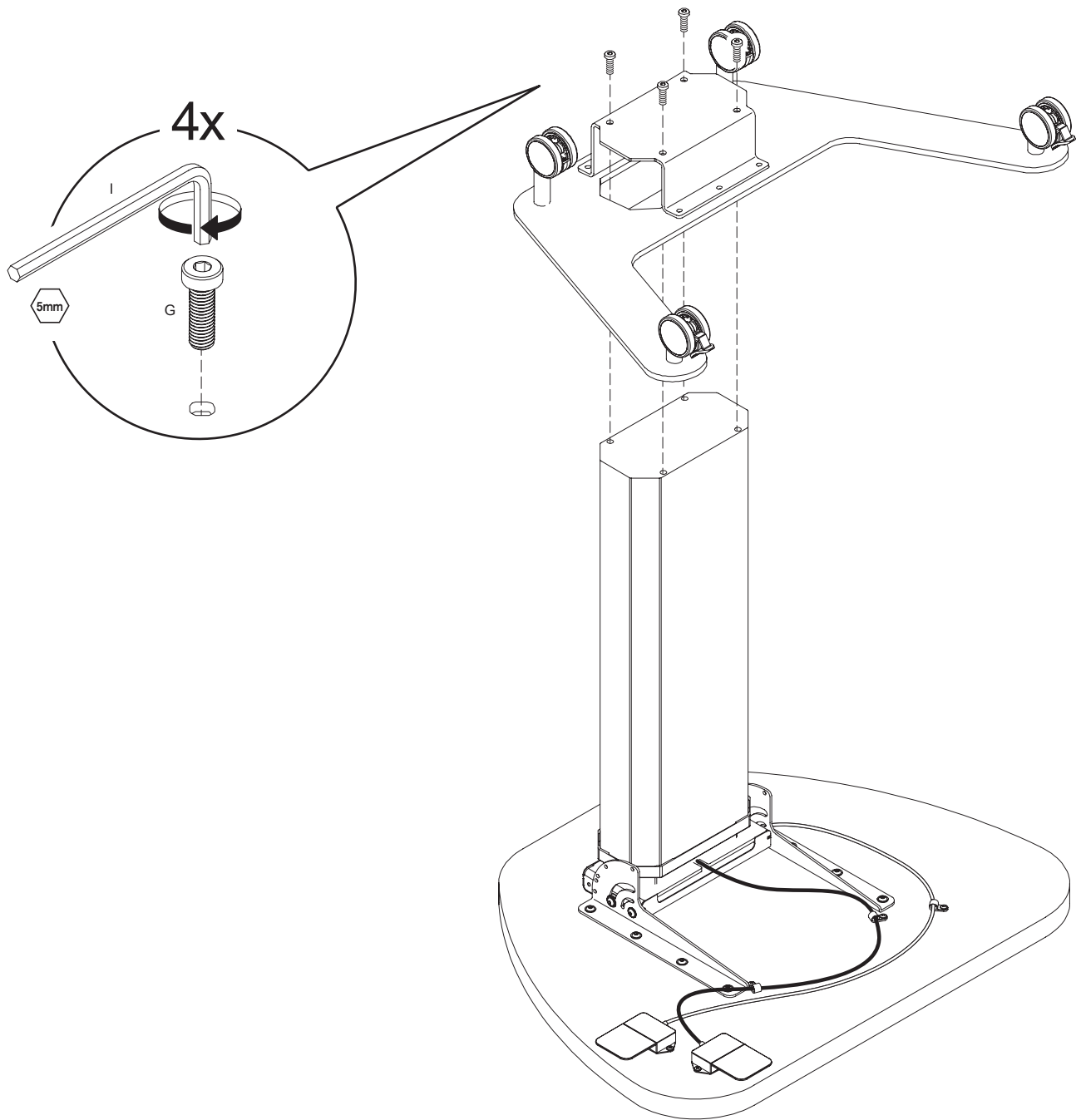




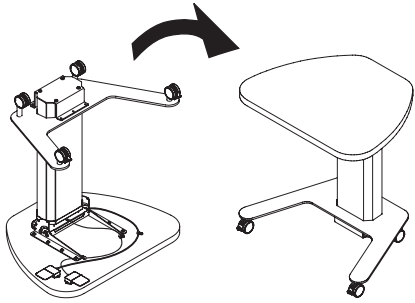
3x

Make sure not to bend or crimp the cables.

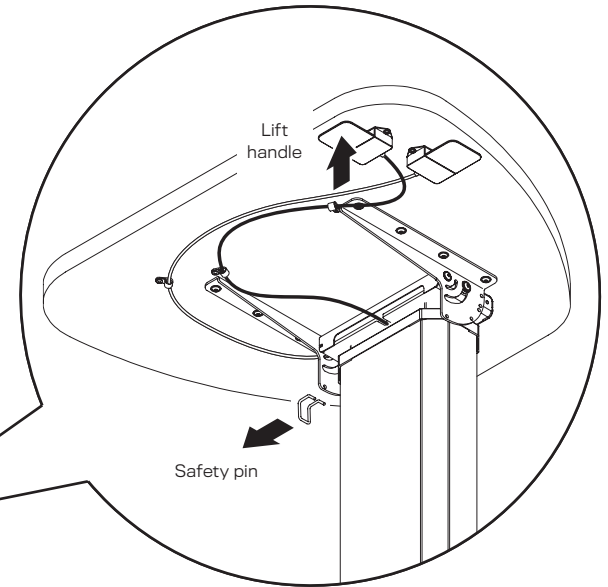
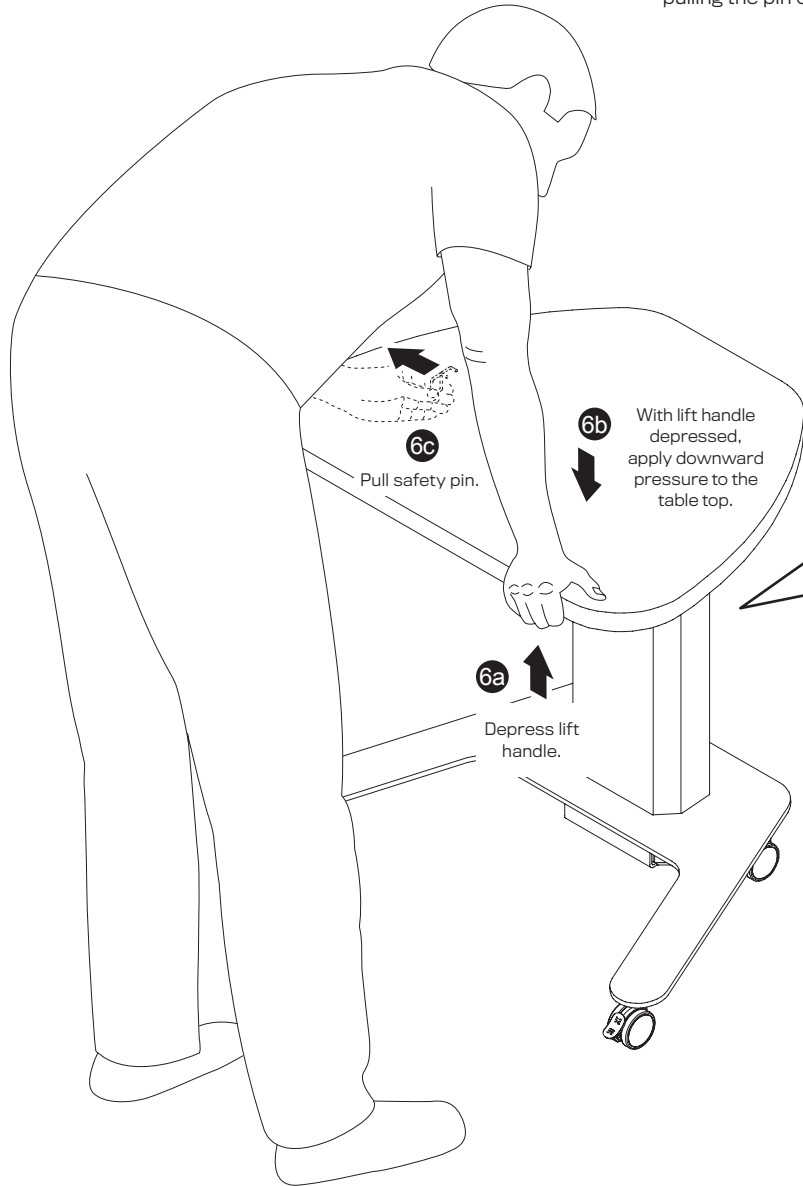
Make sure the cables are making a large smooth arc underneath the table surface and do not have a sharp bend, minimum radius of 3 inches.

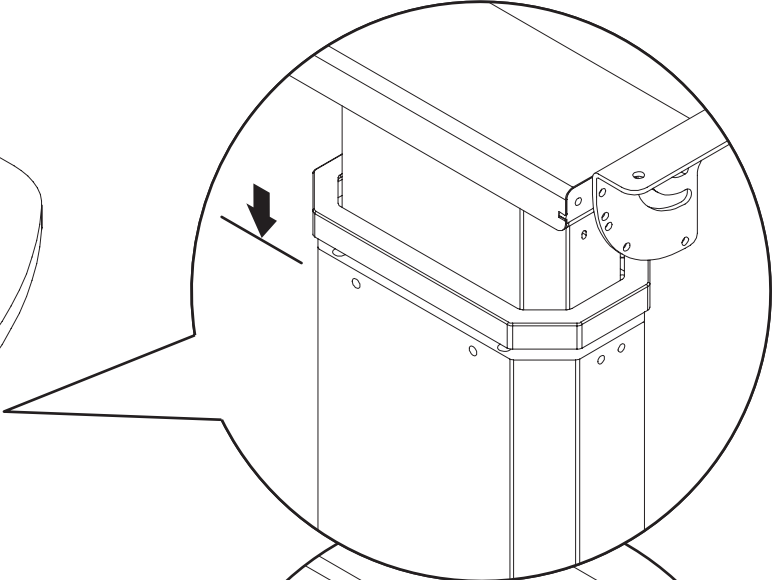
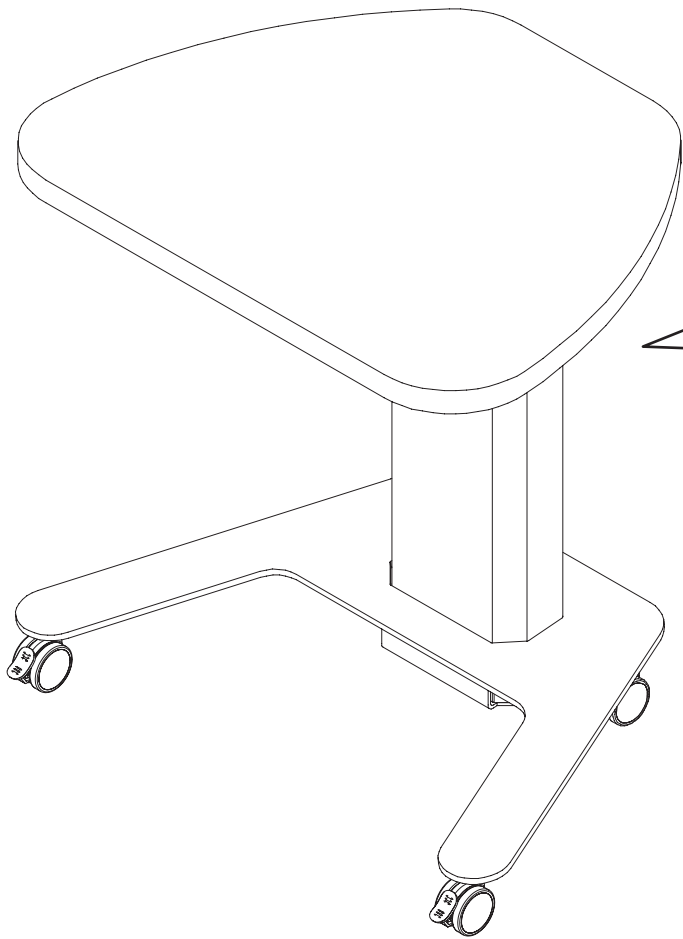


6

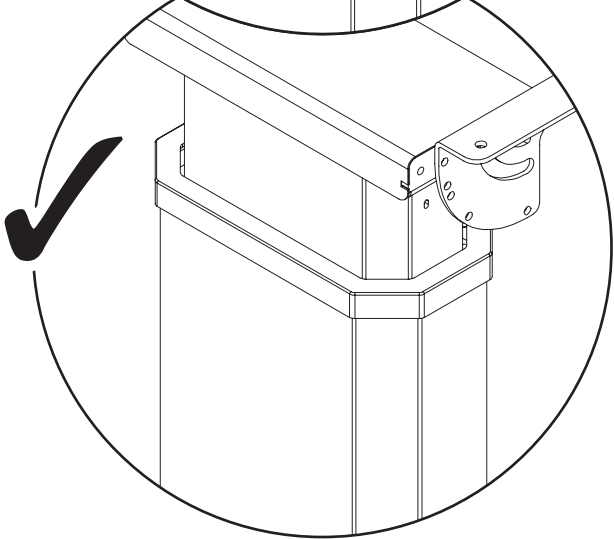


Place the assembled table on the floor in upright position. Remove the safety pin by depressing the lift handle, applying downward pressure to the table top, and pulling the pin outward.





Gently press the column collar in place on outer column.



Workstation is ready for use.