









ASSEMBLY GUIDE

Technical data

| | |
|------------------------|---|
| Column Number | 2 |
| Maximum Load | 40KG |
| Max Speed | 15mm/s |
| Input Voltage | 100-240V |
| Lowest Position | 710mm |
| Highest Position | 1160mm |
| Desktop Size | Length 1000-1400mm Width 500-700mm |
| Duty Cycle | 10%(Work continuously for 2 minutes, pause for 18 minutes) |
| Applicable Temperature | 0~40°C |

Accessory list

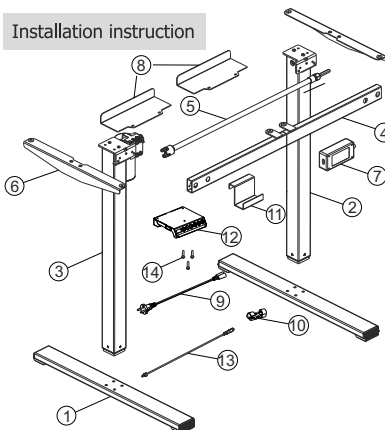
Attention: The drawings below are only for reference which might be slightly different from the actual object, please in kind prevail. Any tools missing or installation problems, please contact the customer service firstly.

| | | | | | | | |
|---|--|--|---|--|---|--|---|
| A x4  M6 | B x4  M4 | C x4  M6 | D x6  ST4.2 | E x8  M6 | F x1  4x4 | G x1  Wrench | H x4  Screw Guide Sleeve |
|---|--|--|---|--|---|--|---|

Part list




| No. | Part | Qty | No. | Part | Qty | No. | Part | Qty |
|-----|------------------|-----|-----|---------------------|-----|-----|----------------------|-----|
| ① | Pedestal | 2 | ② | Left Lifting Column | 1 | ③ | Right Lifting Column | 1 |
| ④ | Supporting Plate | 1 | ⑤ | Transmission rod | 1 | ⑥ | Side Bracket | 2 |
| ⑦ | Adaptor | 1 | ⑧ | Baffle | 2 | ⑨ | Power Plug | 1 |
| ⑩ | Cable tie | 4 | ⑪ | Adaptor holder | 1 | ⑫ | Handset | 1 |
| ⑬ | Switch cord | 1 | ⑭ | Screw for handset | 3 | | | |

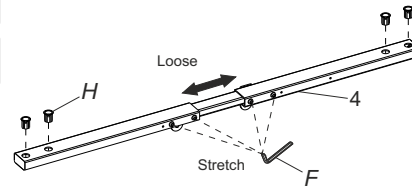
Installation instruction



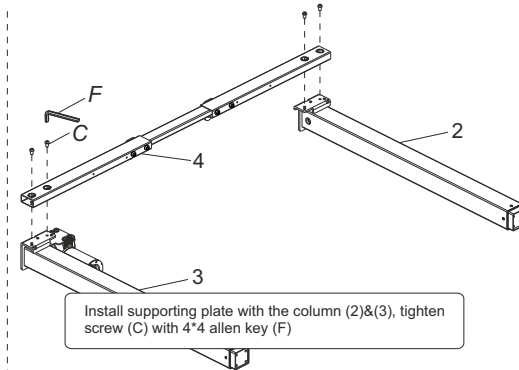
STEP1

Install supporting plate

- C x4

- H x4

- F 4x4





Loose screws on supporting plate(4) with a 4x4 allen key(F), then stretch supporting plate until the screw guide sleeve (H) can be inserted into the hole of supporting plate.

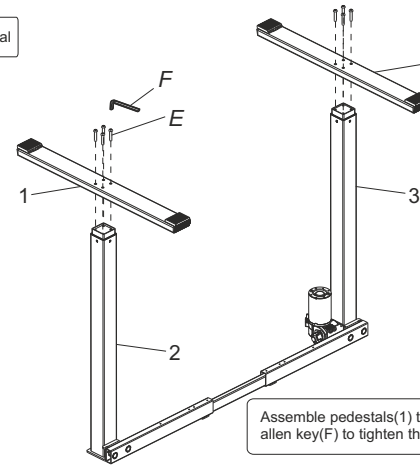


Install supporting plate with the column (2)&(3), tighten screw (C) with 4*4 allen key (F)

STEP2

Install Pedestal

- E x8

- F 4x4

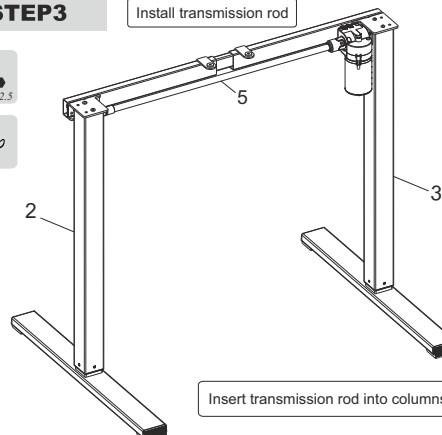
Assemble pedestals(1) to lifting columns (2)&(3), use 4*4 allen key(F) to tighten the screws(E).

STEP3

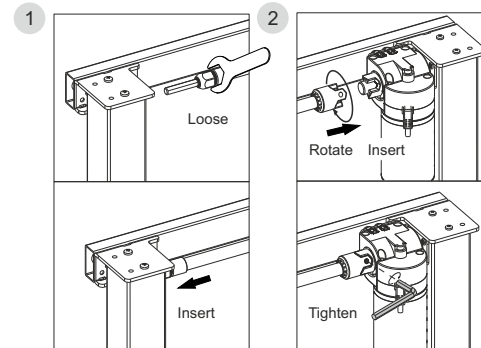
Install transmission rod

- F 2.5x2.5

- G

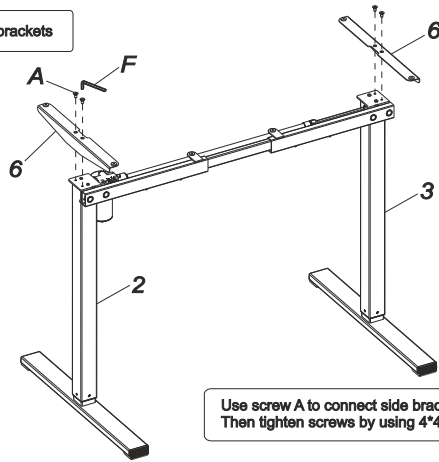
Insert transmission rod into columns (2)&(3)



Rotation degree do not exceeds 60°

STEP4

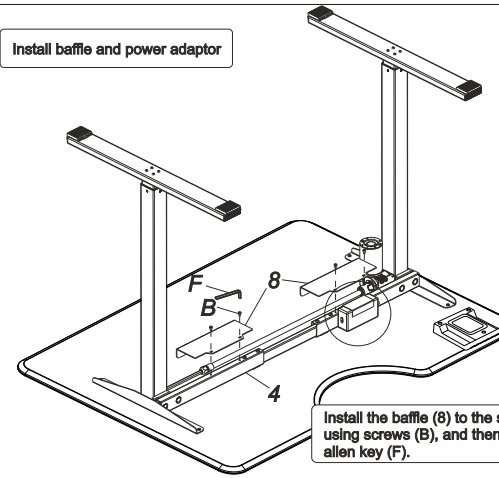
Install side brackets



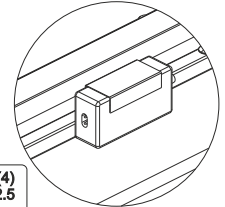
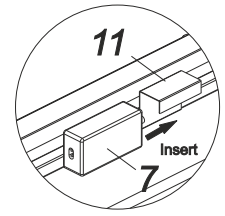
Use screw A to connect side brackets (6) and columns (2)&(3). Then tighten screws by using 4*4 Allen key(F).

STEP7

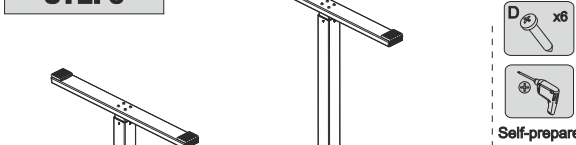
Install baffle and power adaptor



Install the baffle (8) to the supporting plate (4) using screws (B), and then lock it with 2.5*2.5 allen key (F).

**STEP5**

Install Adaptor holder, desktop and handset



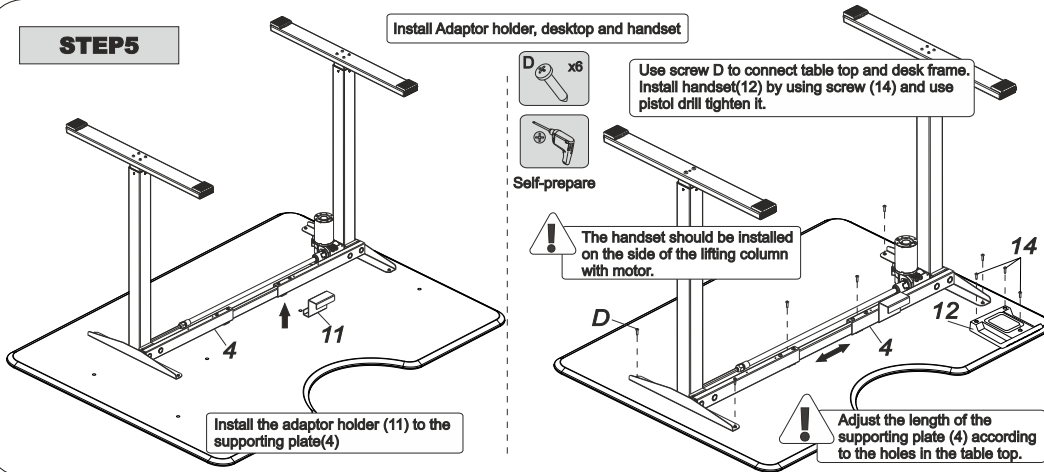
Use screw D to connect table top and desk frame. Install handset(12) by using screw (14) and use pistol drill tighten it.

Self-prepare

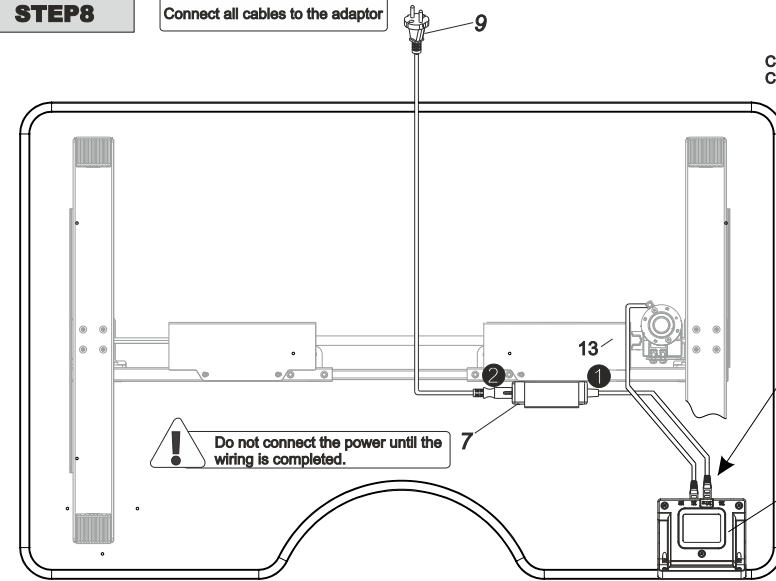
! The handset should be installed on the side of the lifting column with motor.

! Adjust the length of the supporting plate (4) according to the holes in the table top.

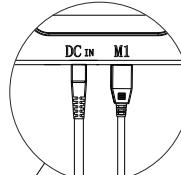
Install the adaptor holder (11) to the supporting plate(4)

**STEP8**

Connect all cables to the adaptor



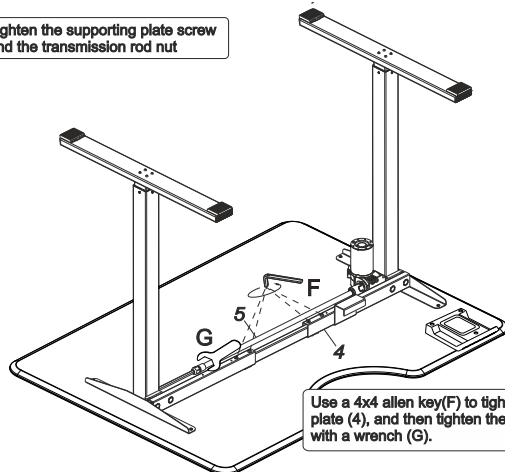
Connect the switch cord to the DC port
Connect the motor cord to the M1 port



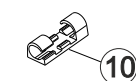
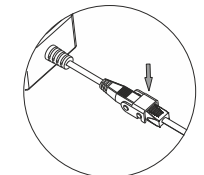
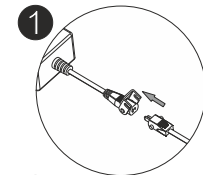
! Do not connect the power until the wiring is completed.

STEP6

Tighten the supporting plate screw and the transmission rod nut



Use a 4x4 allen key(F) to tighten the 4 screws on the supporting plate (4), and then tighten the nut on the transmission rod (5) with a wrench (G).



Use cable tie(10) to fix all cables onto the table top.

