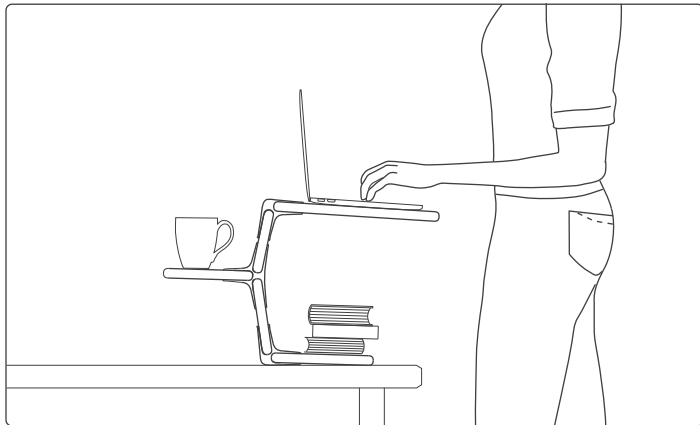


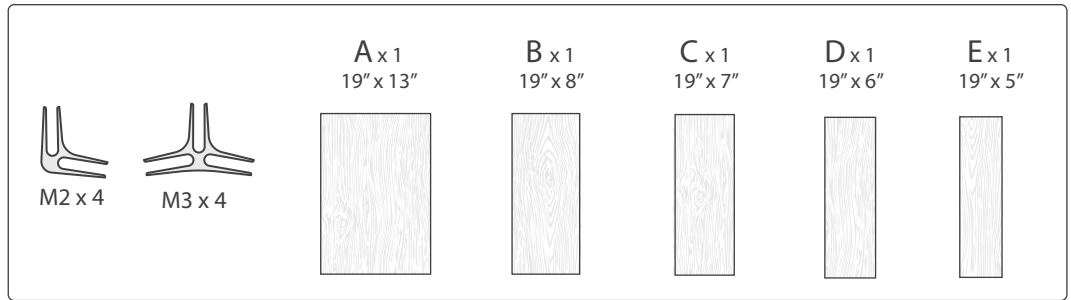
# Standing Desk - SD1

assembly instructions

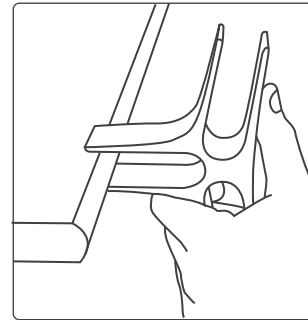


your spine will thank you!

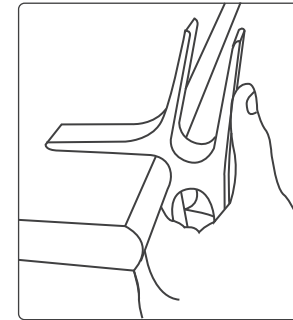
what's in the box



how to

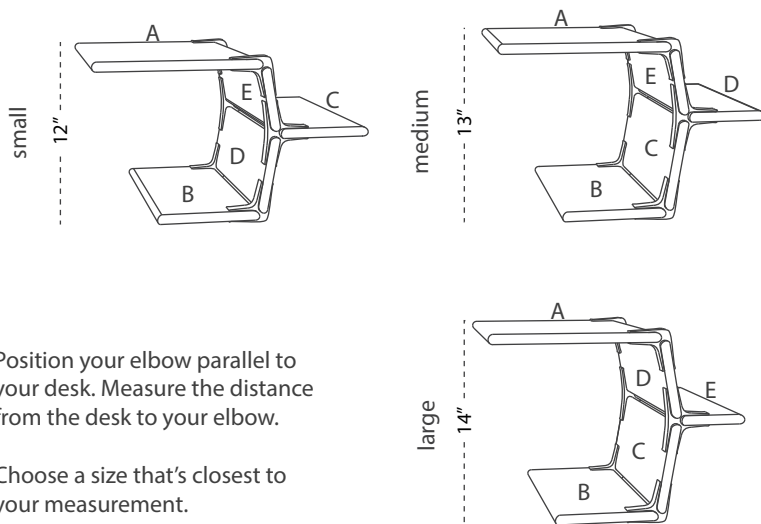


line connector up with board



slide connector onto board

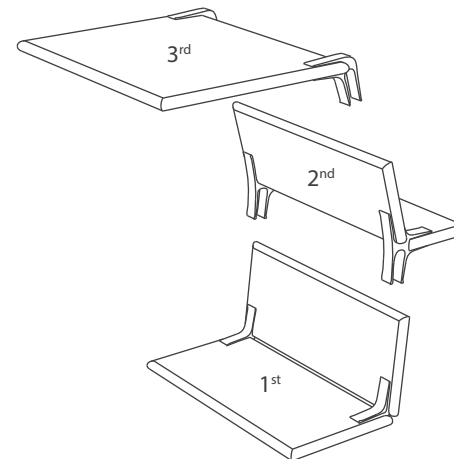
instructions



Position your elbow parallel to your desk. Measure the distance from the desk to your elbow.

Choose a size that's closest to your measurement.

1



2 Assemble groups as shown above, attach all three groups.



3 You're done! Woohoo!