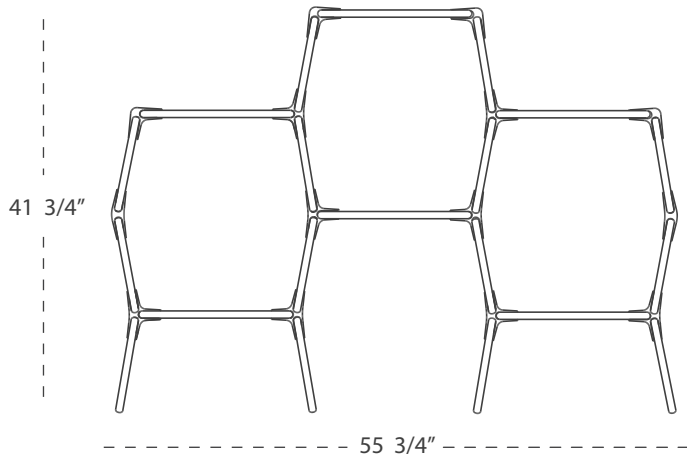
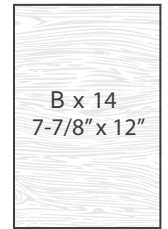
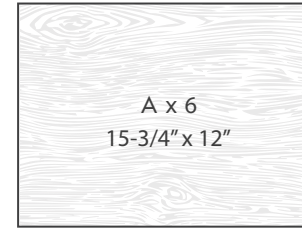


Shelf S3

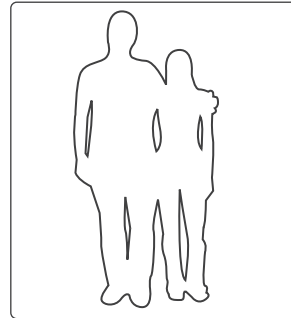
assembly instructions



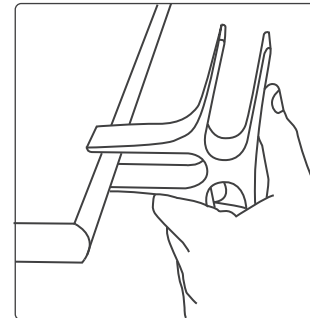
what's in the box



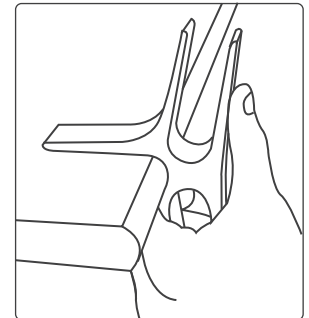
how to



find a friend to help

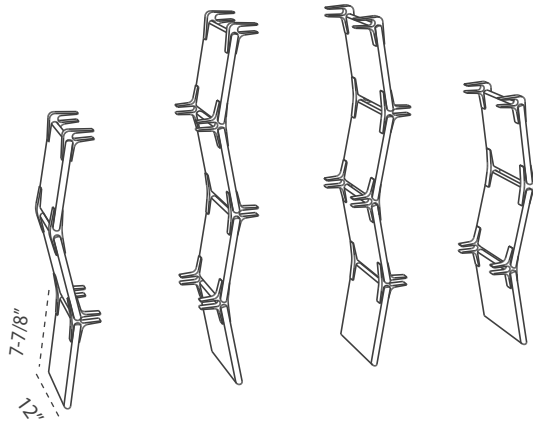


line connector up with board

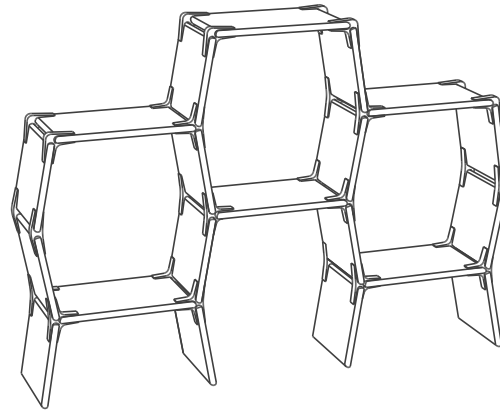


slide connector onto board

instructions



1 Assemble vertical groups using only B boards and the illustrated connectors.



2 Starting with the lowest boards attach all A boards



3 You're done. high five!