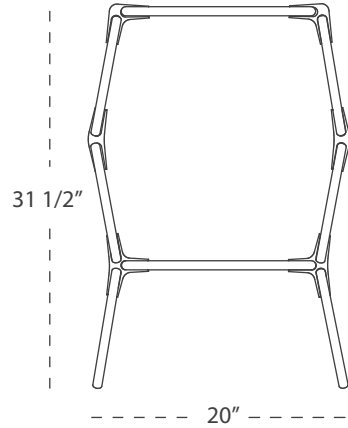


Shelf S1

assembly instructions



what's in the box

M1 x 4

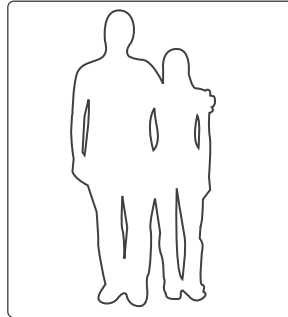
M2 x 4

M3 x 4

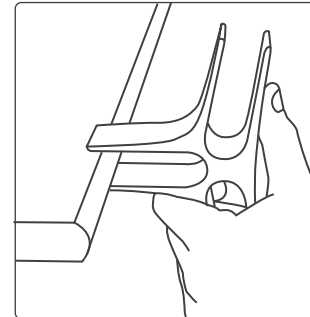
A x 2
15-3/4" x 12"

B x 6
7-7/8" x 12"

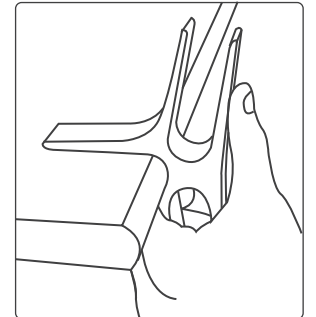
how to



find a friend to help

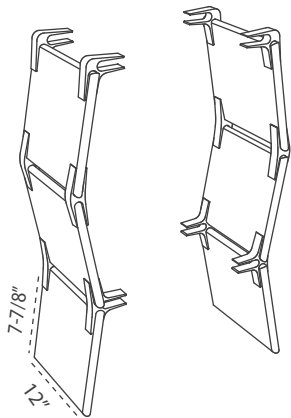


line connector up with board

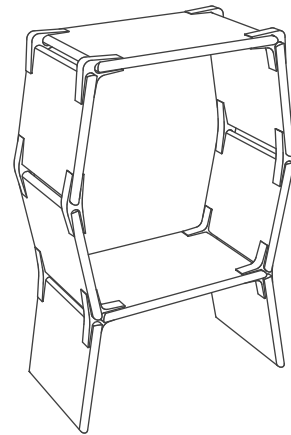


slide connector onto board

instructions



1 Assemble vertical groups using only B boards and the illustrated connectors.



2 Starting with the lowest boards attach all A boards



3 You're done. high five!