

# Greenmood

---

PRODUCT SPECIFICATION SHEET

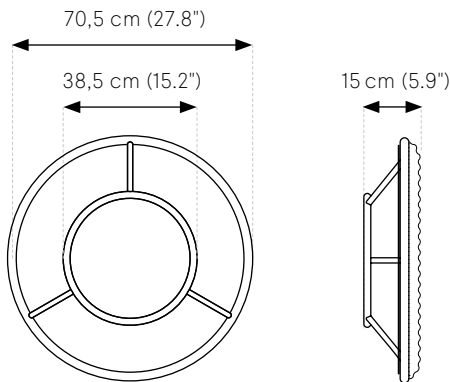
## G-CIRCLES





1. MODELS
  2. FRAME FINISHES
  3. FILLINGS
  4. FIXING SYSTEMS
- 



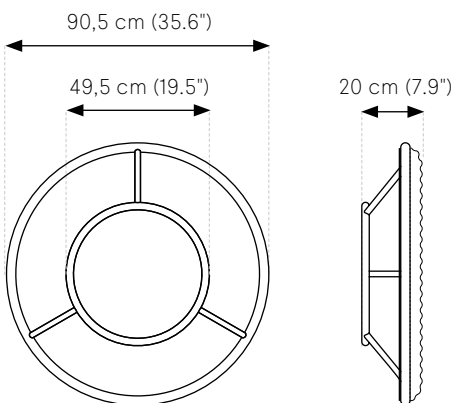
### 1. MODELS (Standard version – 3 sizes)





#### G-Circle SMALL



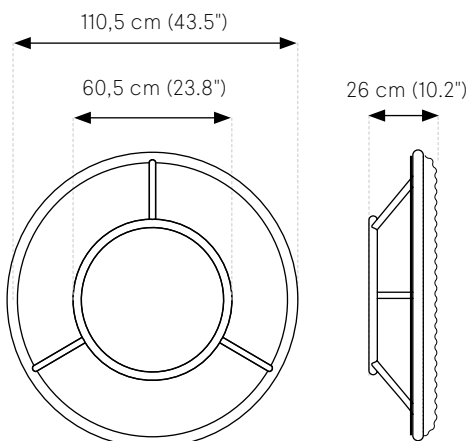
-  **Weight** — Gross weight (±15%): 7 kg (15 lbs)
-  **Materials** — Front Circle: Aluminium tube Ø 25 mm (1")  
Back Circle: Aluminium tube Ø 20 mm (3/4")  
Frame links: Aluminium tubes Ø 15 mm (5/8")  
Backing panel: Cork layer 3mm (1/8")
-  **Finishes** — Powder coatings: Matte White – RAL 9010  
Matte Black – RAL 9005  
Corten  
Gold
-  **Fillings** — Reindeer Moss (Lichen)  
Ball Moss  
Forest (Preserved plants)  
Island (Flat & Ball moss)  
Mirror  
Magnetic Whiteboard





#### G-Circle MEDIUM



-  **Weight** — Gross weight (±15%): 12 kg (26 lbs)
-  **Materials** — Front Circle: Aluminium tube Ø 25 mm (1")  
Back Circle: Aluminium tube Ø 20 mm (3/4")  
Frame links: Aluminium tubes Ø 15 mm (5/8")  
Backing panel: Cork layer 3mm (1/8")
-  **Finishes** — Powder Coatings: Matte White – RAL 9010  
Matte Black – RAL 9005  
Corten  
Gold
-  **Fillings** — Reindeer Moss (Lichen)  
Ball Moss  
Forest (Preserved plants)  
Island (Flat & Ball moss)  
Mirror  
Magnetic Whiteboard

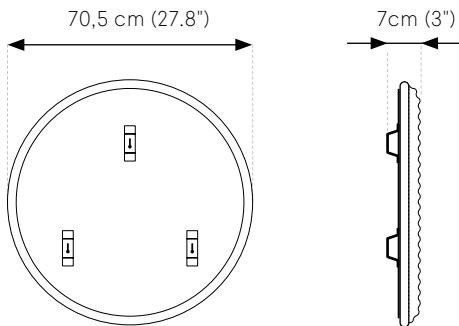
#### G-Circle LARGE




-  **Weight** — Gross weight (±15%): 16 kg (35 lbs)
-  **Materials** — Front Circle: Aluminium tube Ø 25 mm (1")  
Back Circle: Aluminium tube Ø 20 mm (3/4")  
Frame links: Aluminium tubes Ø 15 mm (5/8")  
Backing panel: Cork layer 3mm (1/8")
-  **Finishes** — Powder Coatings: Matte White – RAL 9010  
Matte Black – RAL 9005  
Corten  
Gold
-  **Fillings** — Reindeer Moss (Lichen)  
Ball Moss  
Forest (Preserved plants)  
Island (Flat & Ball moss)  
Mirror  
Magnetic Whiteboard

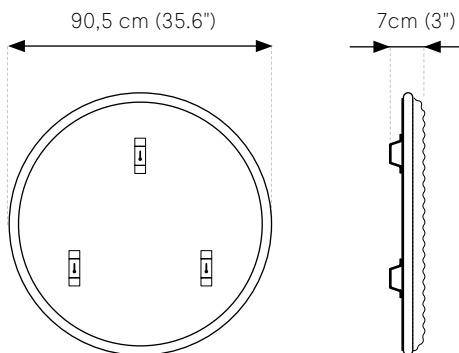
### 1. MODELS (Slim versions - 3 sizes)

#### G-Circle SMALL "SLIM"



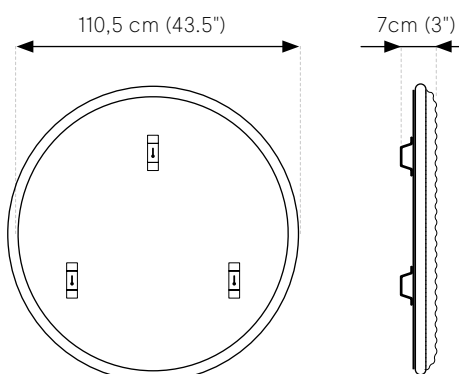
-  **Weight** — Gross weight (±15%): 6 kg (13 lbs)
-  **Materials** — Circle frame: Aluminium tube Ø 25 mm (1")  
Backing panel: Cork layer 3mm (1/8")
-  **Finishes** — Powder coatings: Matte White — RAL 9010  
Matte Black — RAL 9005  
Corten  
Gold
-  **Fillings** — Reindeer Moss (Lichen)  
Ball Moss  
Forest (Preserved plants)  
Island (Flat & Ball moss)  
Mirror  
Magnetic Whiteboard

#### G-Circle MEDIUM "SLIM"



-  **Weight** — Gross weight (±15%): 11 kg (24 lbs)
-  **Materials** — Circle frame: Aluminium tube Ø 25 mm (1")  
Backing panel: Cork layer 3mm (1/8")
-  **Finishes** — Powder Coatings: Matte White — RAL 9010  
Matte Black — RAL 9005  
Corten  
Gold
-  **Fillings** — Reindeer Moss (Lichen)  
Ball Moss  
Forest (Preserved plants)  
Island (Flat & Ball moss)  
Mirror  
Magnetic Whiteboard

#### G-Circle LARGE "SLIM"






-  **Weight** — Gross weight (±15%): 15 kg (33 lbs)
-  **Materials** — Circle frame: Aluminium tube Ø 25 mm (1")  
Backing panel: Cork layer 3mm (1/8")
-  **Finishes** — Powder Coatings: Matte White — RAL 9010  
Matte Black — RAL 9005  
Corten  
Gold
-  **Fillings** — Reindeer Moss (Lichen)  
Ball Moss  
Forest (Preserved plants)  
Island (Flat & Ball moss)  
Mirror  
Magnetic Whiteboard

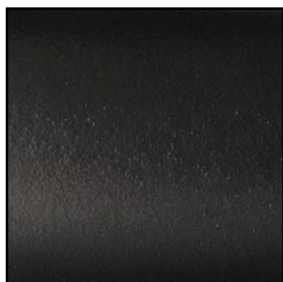
## 2. FRAME FINISHES




### MATTE WHITE Powder coating



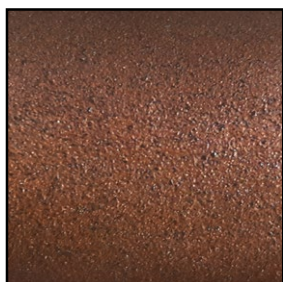
-  **Texture** – Fine texture
-  **Gloss Level** – 20±5
-  **RAL** **Color** – RAL 9010

### MATTE BLACK Powder coating



-  **Texture** – Fine texture
-  **Gloss Level** – 20±5
-  **RAL** **Color** – RAL 9005




### CORTEN Powder coating



-  **Texture** – Coarse texture
-  **Gloss Level** – 10±5
-  **RAL** **Color** – x

### GOLD Powder coating



-  **Texture** – Smooth texture
-  **Gloss Level** – 80±5
-  **RAL** **Color** – x

## 3. FILLINGS (1/3)

### REINDEER MOSS (Lichen)

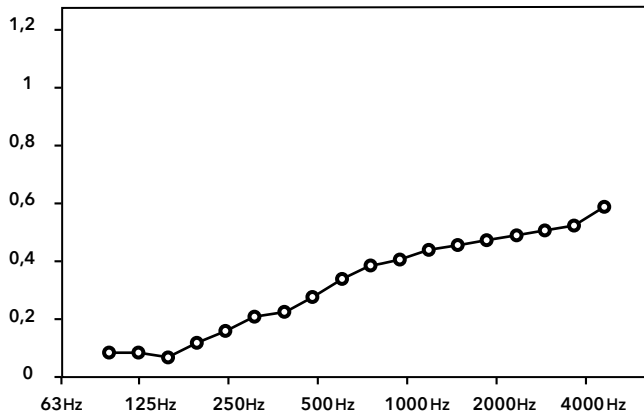


-  **Origin** – Handpicked in Europe (Scandinavia)
-  **Security** – Naturally Fire-retardant (ISO 11925-2, certificate available)  
Class: B-S2-d0
-  **Durability** – 100% Maintenance free (avoid direct sunlight)  
Keeps its form, color & texture for 5 to 10 years
-  **Health** – Non-toxic  
Non-allergen

 **Colors** –





Acoustic absorption index ( $\alpha_s$ ) depending on Frequency (Hz)

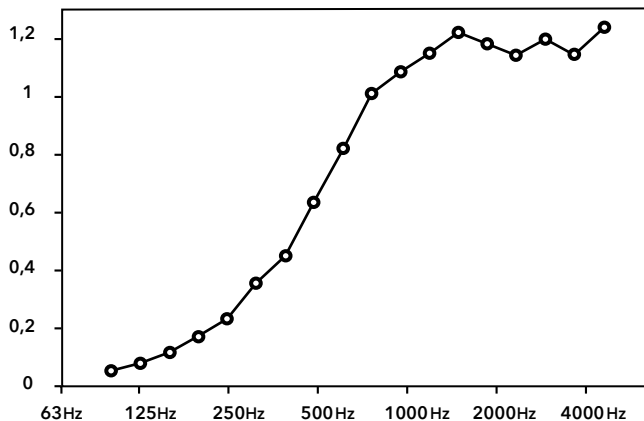


### BALL MOSS



-  **Origin** – Handpicked in Europe
-  **Durability** – 100% Maintenance free  
Keeps its form, color & texture for 3 to 5 years  
(Avoid direct sunlight on the moss to preserve its color)
-  **Health** – Non-toxic  
Non-allergen


Acoustic absorption index ( $\alpha_s$ ) depending on Frequency (Hz)



### 3. FILLINGS (2/3)

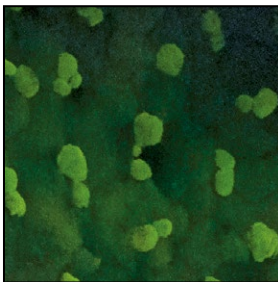
#### **FOREST** (Custom handmade compositions using various foliage species on a flat moss background)






-  **Origin** — Handpicked in Europe
-  **Durability** — 100% Maintenance free  
Keeps its form, color & texture for 3 to 5 years  
(Avoid direct sunlight on foliage to preserve their color)
-  **Health** — Non-toxic  
Non-allergen



#### **ISLAND** (Flat moss & Ball moss)



-  **Origin** — Handpicked in Europe
-  **Durability** — 100% Maintenance free  
Keeps its form, color & texture for 3 to 5 years  
(Avoid direct sunlight on the moss to preserve its color)
-  **Health** — Non-toxic  
Non-allergen

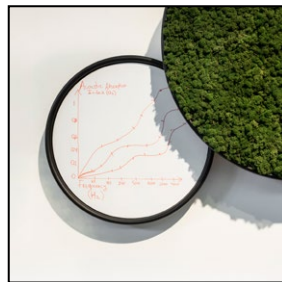
### 3. FILLINGS (3/3)

#### MIRROR



- i** Details
- High quality mirror inlaid in the structure (frame higher than mirror's surface)
- Thickness: 3 mm (0.12")

#### MAGNETIC WHITEBOARD



- i** Details
- Steel covered with high quality Dry-erase Whiteboard sheet
- Panel inlaid in the structure (frame higher than whiteboard's surface)
- Thickness: 1mm (0.04")

## 4. FIXING SYSTEMS (1/2)

### WALL MOUNTING (3 points fixation "spin to lock")

Materials needed:



Screws disposition pattern  
(provided in the packing - 3 sizes)



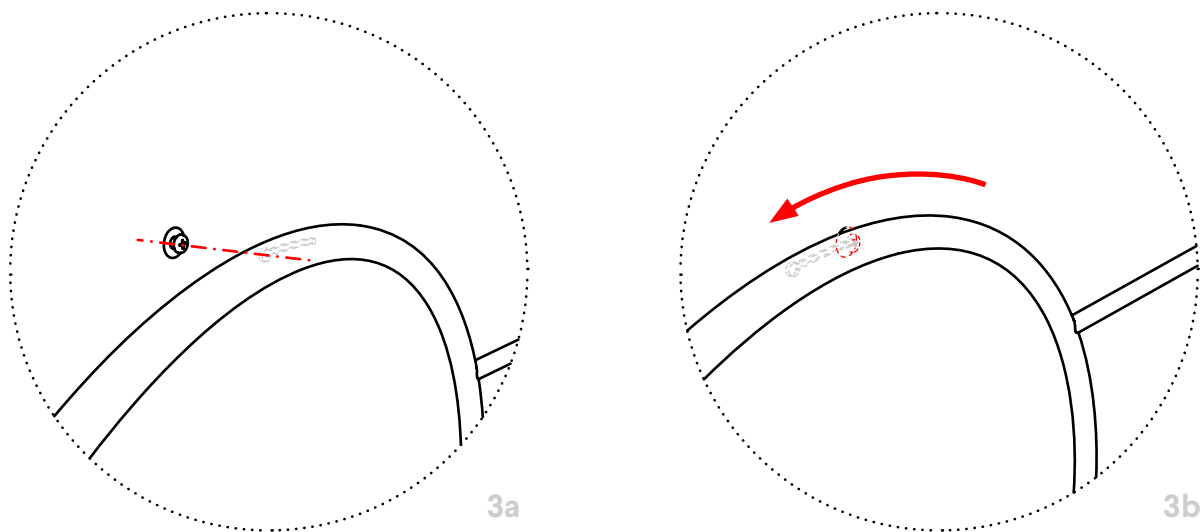
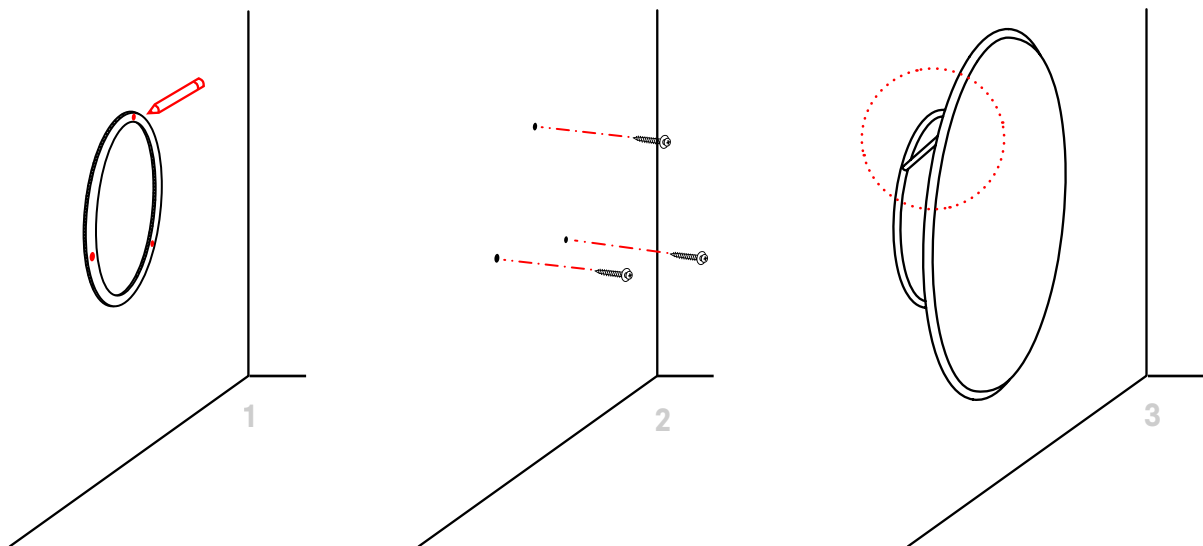
Pencil



3X screw with washer  
(and eventually dowels)



Drill & screwdriver





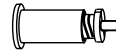
### 4. FIXING SYSTEMS (2/2)

#### CEILING SUSPENSION (3 points fixation)

Materials needed:



3X Galvanized cable with ball tips  
(from suspension kit - sold separately)



3X Ceiling couplers + Holders  
(from suspension kit - sold separately)



3X screw with washer  
(and eventually dowels)

