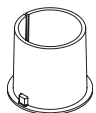


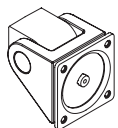
**CAUTION**

Mechanism can rise quickly with no equipment in place. User equipment must be properly installed, prior to height adjustment. Failure to do so may result in personal injury and/or property damage.

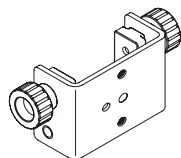
A Ella Mount Bushing 1x  
114022



B Ella Single Tilter 1x  
414291



C Ella Tilter Channel 1x  
414249



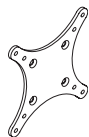
D M6 x 12mm Screw 1x  
713217



E 10-32 x 3/8" PhPHS (4-pack) 1x  
702281



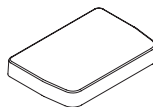
F 75/100 mm VESA Adapter 1x  
105587



G M4 x 12 mm PhPHS (4-pack) 1x  
702096



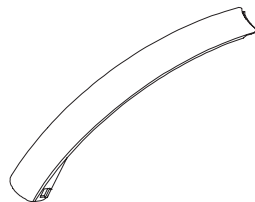
H Column Cap 1x  
113984



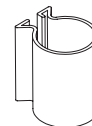
I Forearm Cover 1x  
114007



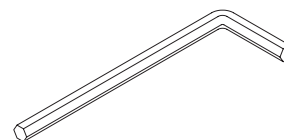
J Lower Arm Cover 1x  
114016



K Cable Clip 2x  
113679



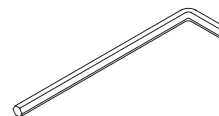
L 8mm Allen Wrench 1x  
714317



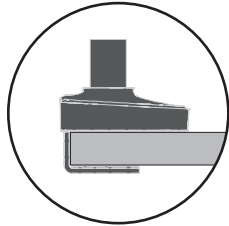
M 3mm Allen Wrench 1x  
701313



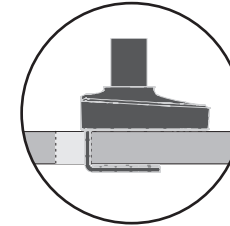
N 7/32" Allen Wrench 1x  
701127



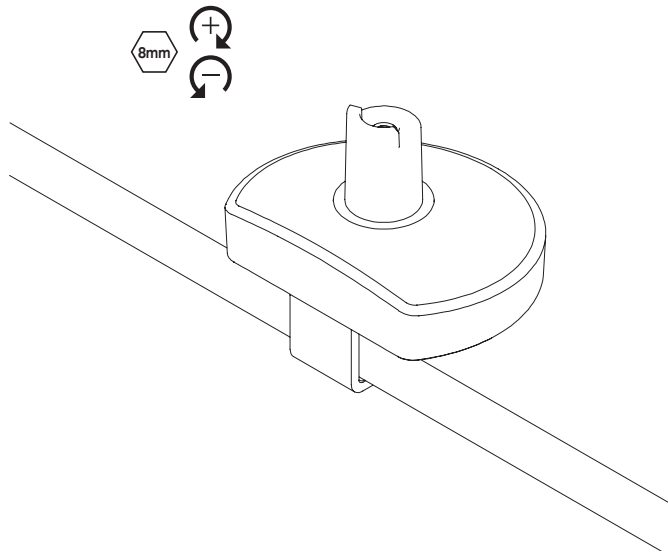
1



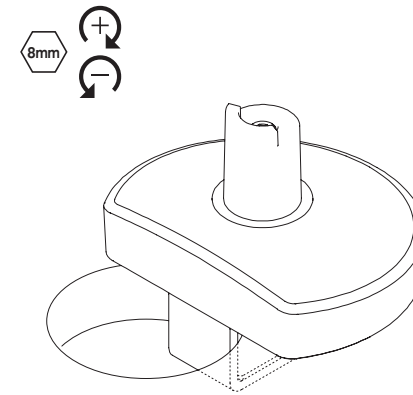
Desk thickness  
up to 1.7" (4.3 cm)



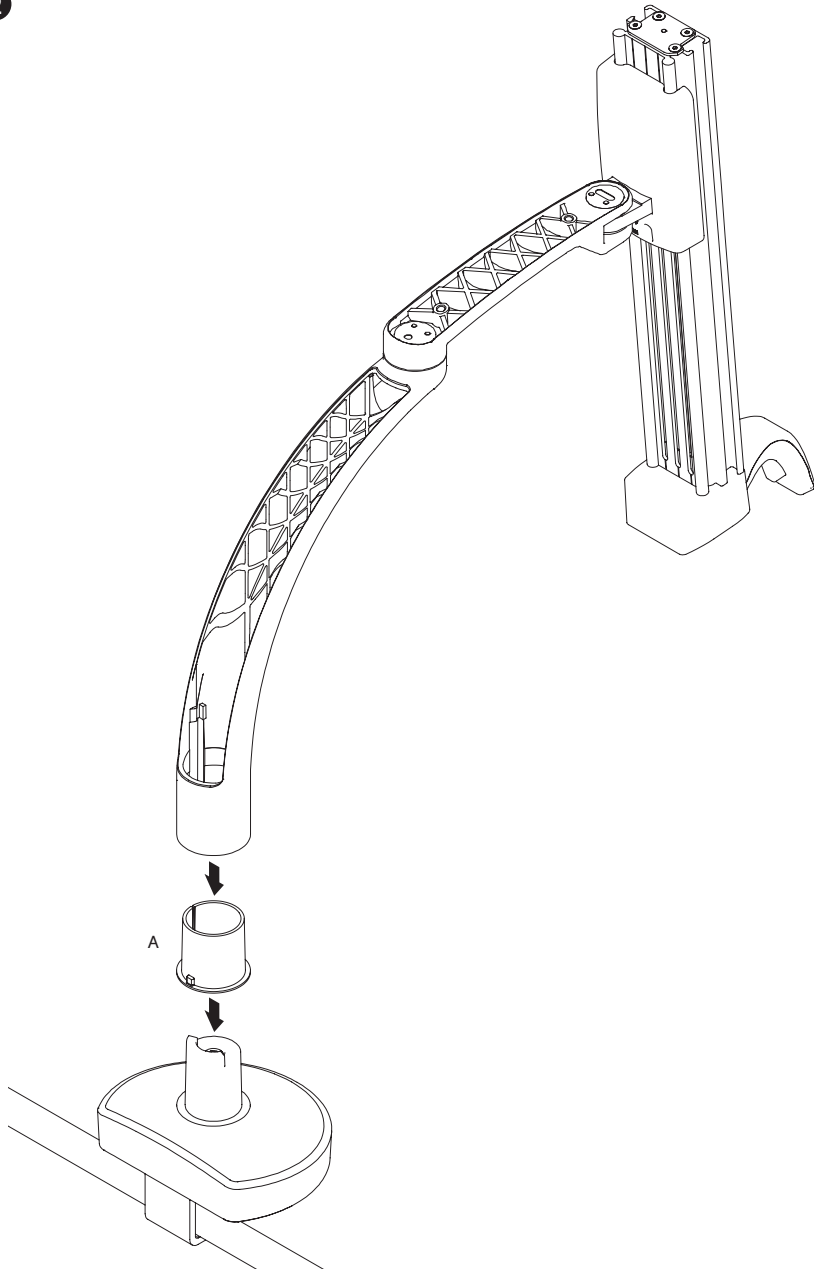
Desk thickness  
up to 1.7" (4.3 cm)



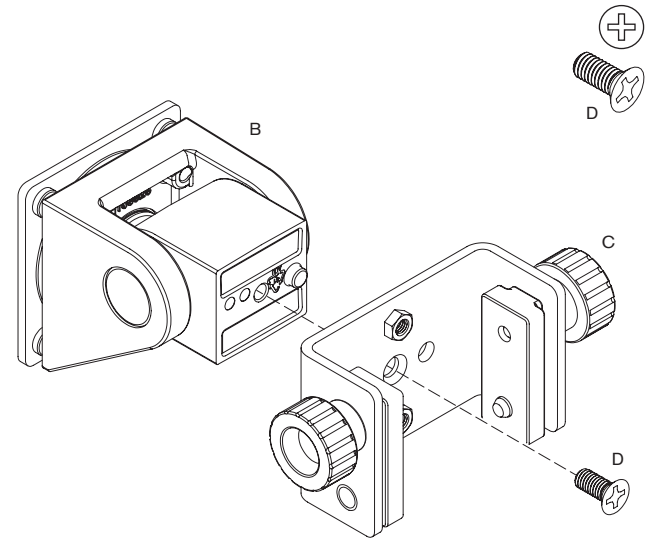
OR



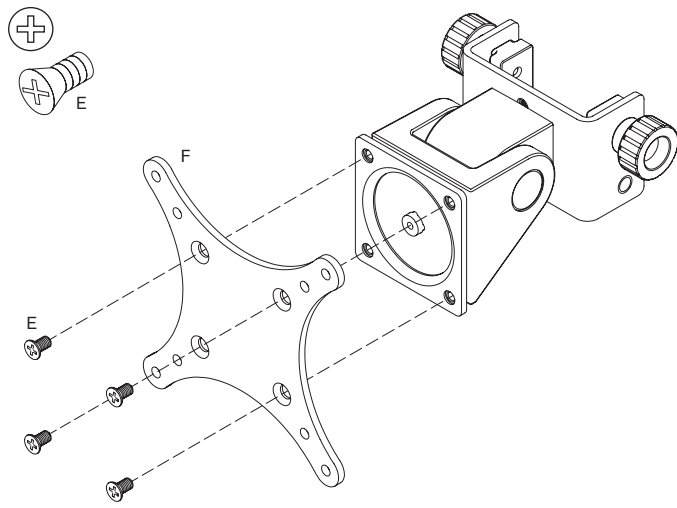
2



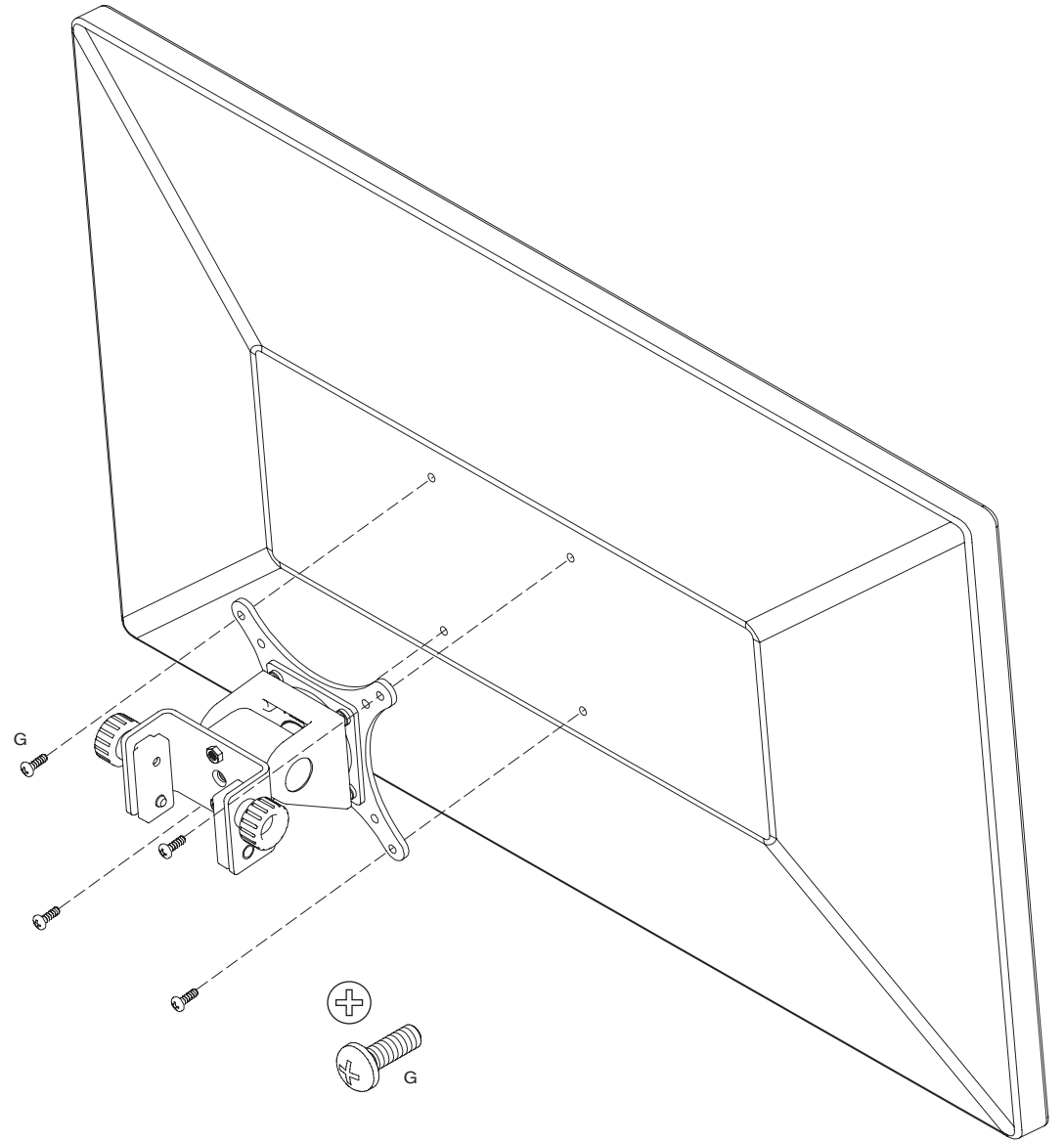
3



4



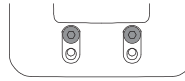
5



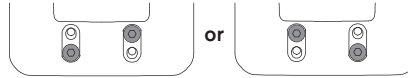
### Monitor Weight Settings

Vertical beam must be fully raised as shown in 6a before the screw configuration is adjusted.

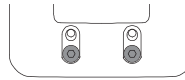
0 - 15 lbs  
(0 - 6.8 kg)



15 - 22 lbs  
(6.8 - 9.9 kg)



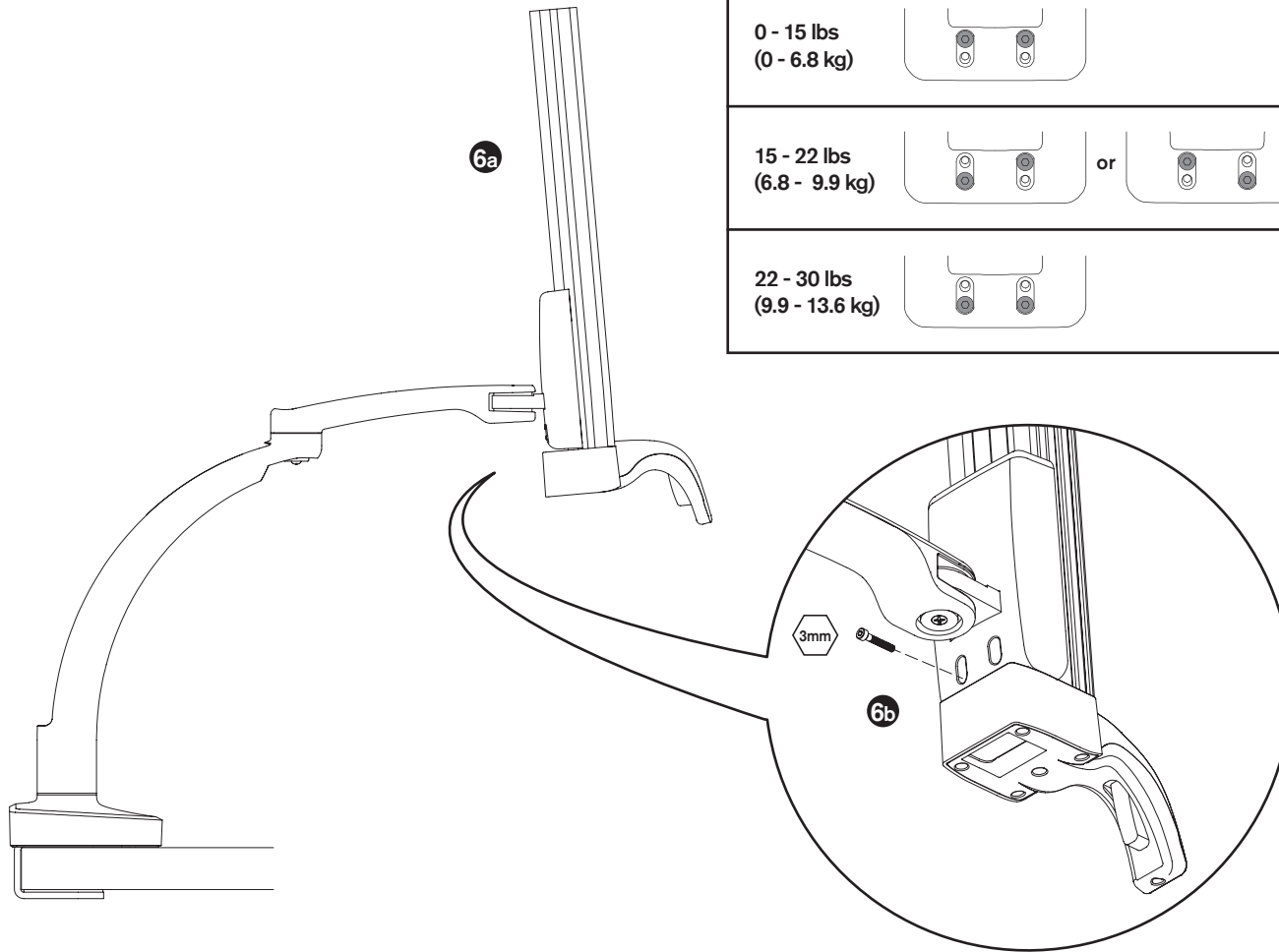
22 - 30 lbs  
(9.9 - 13.6 kg)



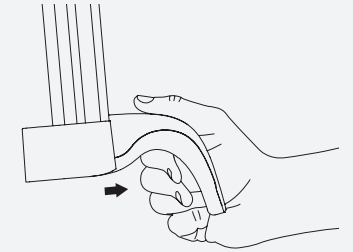
6a

6b

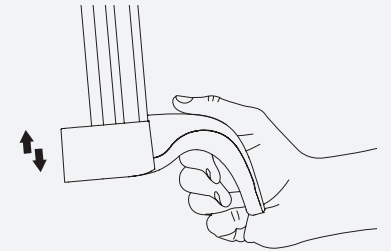
3mm



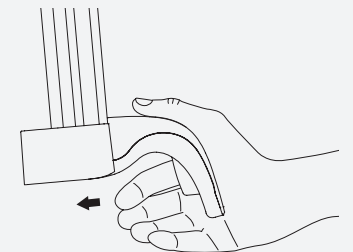
### Height Adjust



Press button and hold.

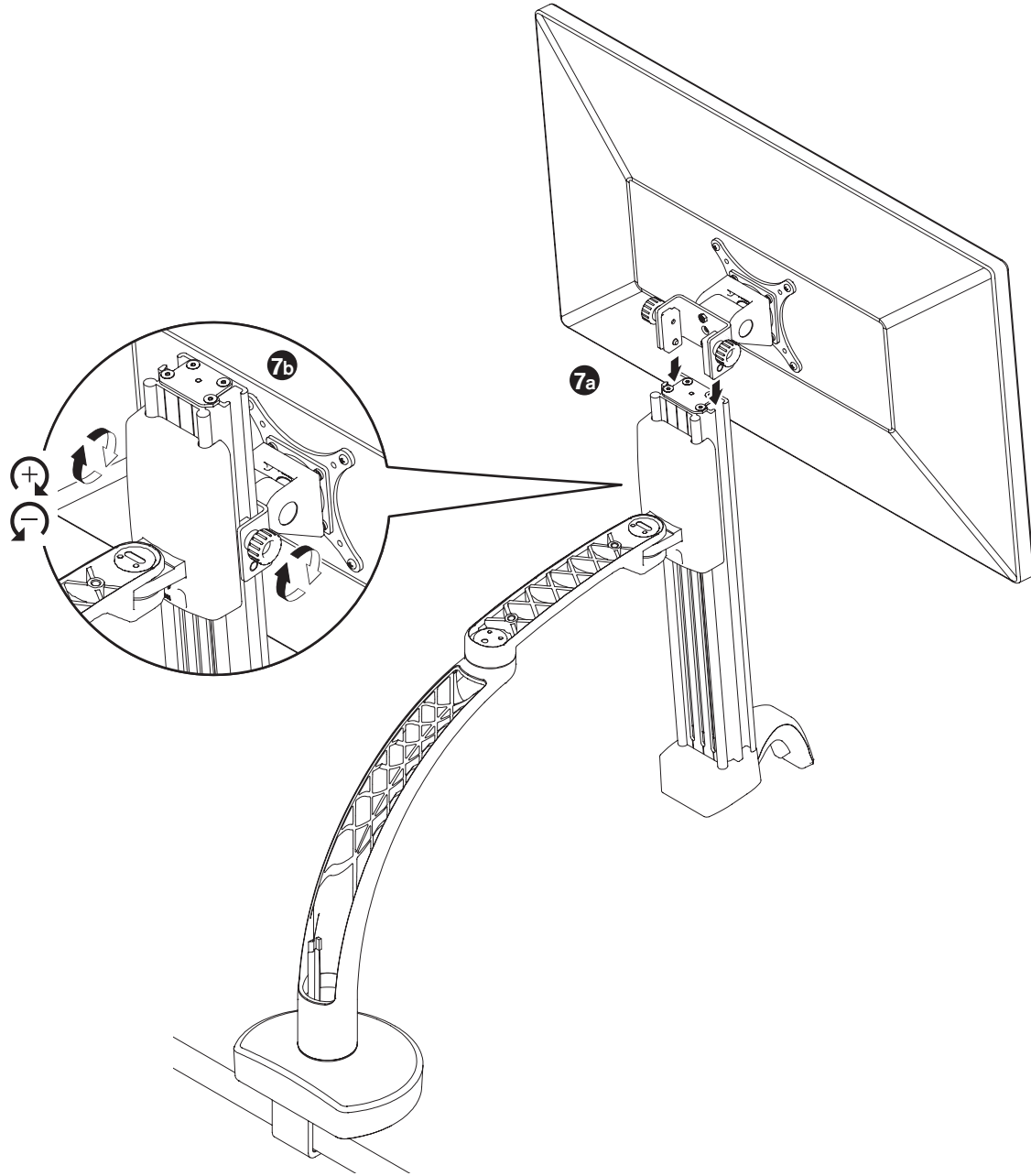


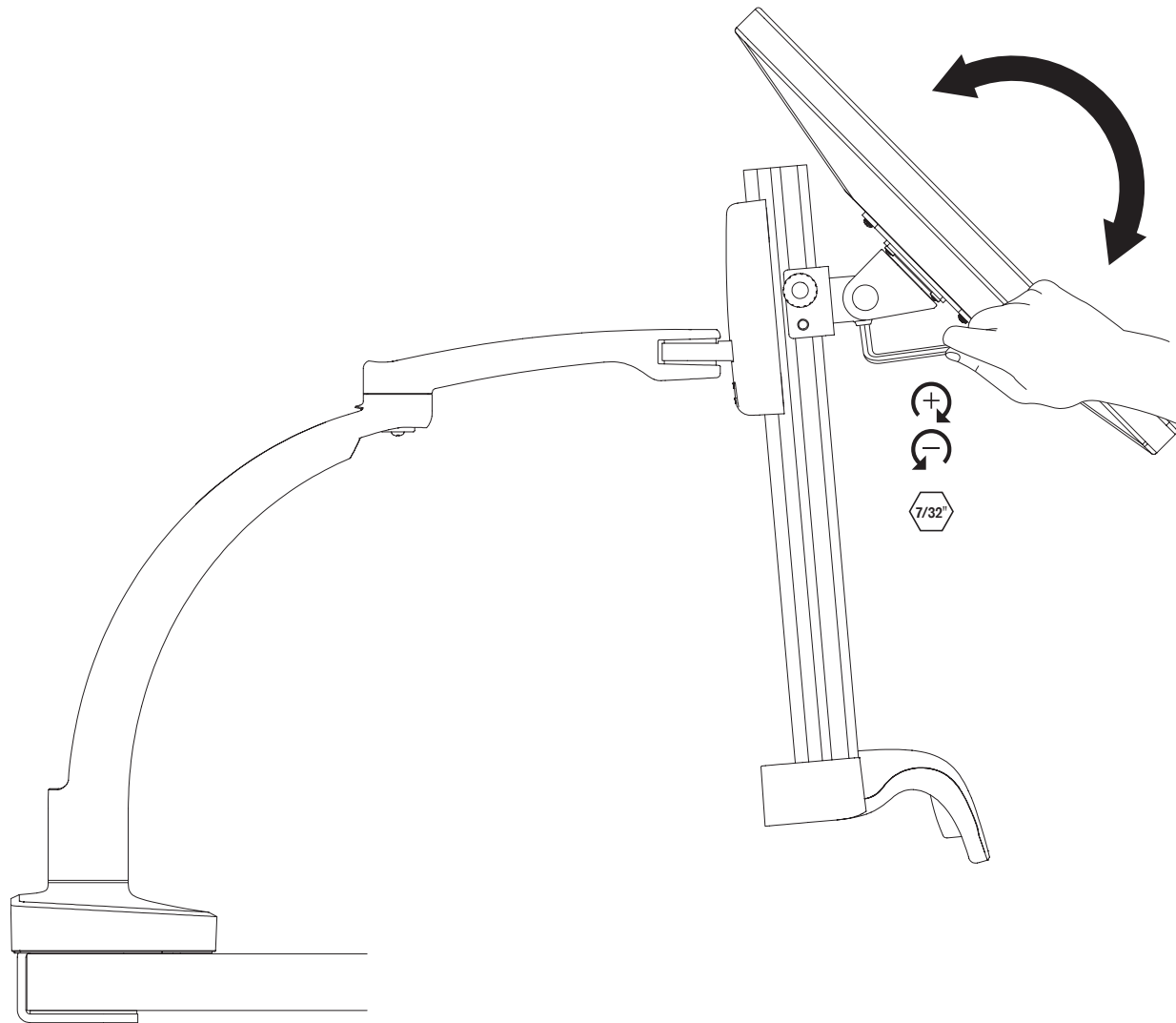
Lift up/down.



Release to lock in place.

7







9

