

**5020
Shop/Theatre with
Drywipe Board**



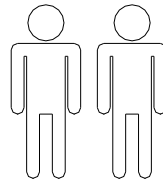
Assembly Instructions.

Please read these instructions carefully before assembling the unit and where necessary refer to the enclosed Component List.

Additional Tools required

NONE

Adults required for assembly



Maintenance.

Some residual dust from the manufacturing process may be apparent. Your unit may be cleaned with a damp cloth.

Stubborn marks may be removed with a mild detergent or Non-abrasive cream cleaner.

Examine all fasteners periodically and retighten where necessary. Care must be taken not to over tighten the fasteners.

Dry wipe board care.

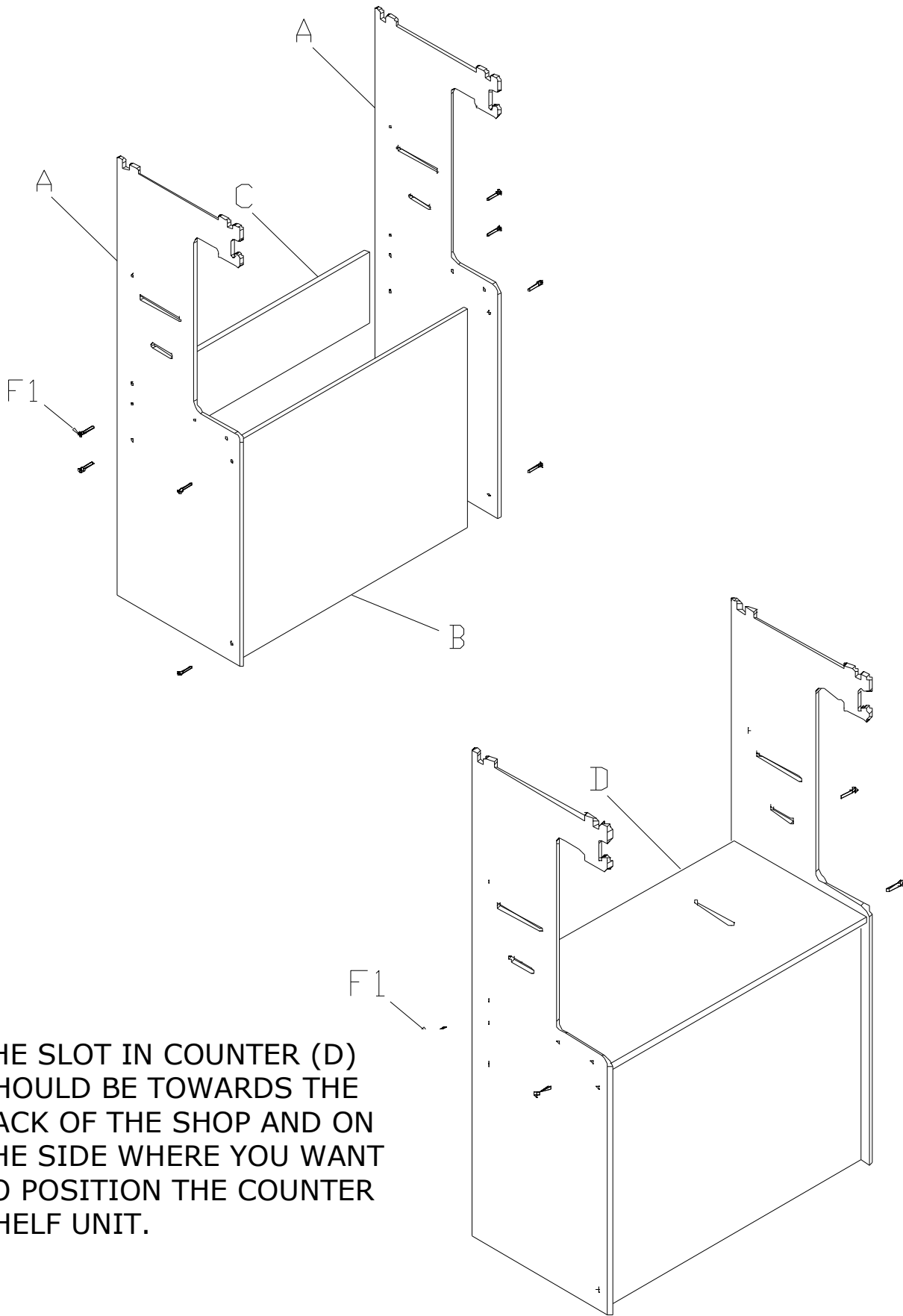
This white surface may not be compatible with all dry wipe marker pens, as some may leave stains. You are therefore advised to experiment with the pens on the edge of the surface before full usage occurs. After a while, even satisfactory pens may leave some "watermark" effects – Occasional cleaning with a soft, clean, damp cloth should help to minimise this

This unit is designed for use indoors on a flat and level surface.

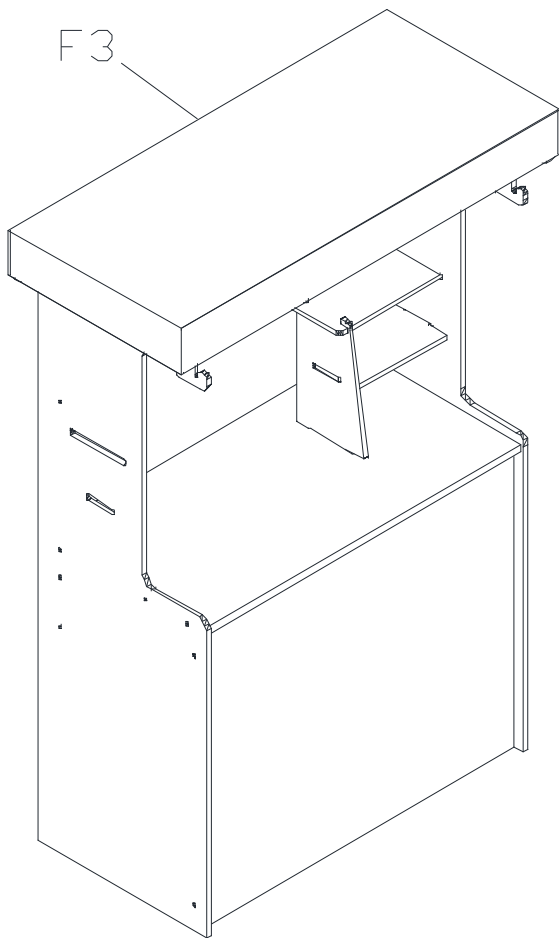
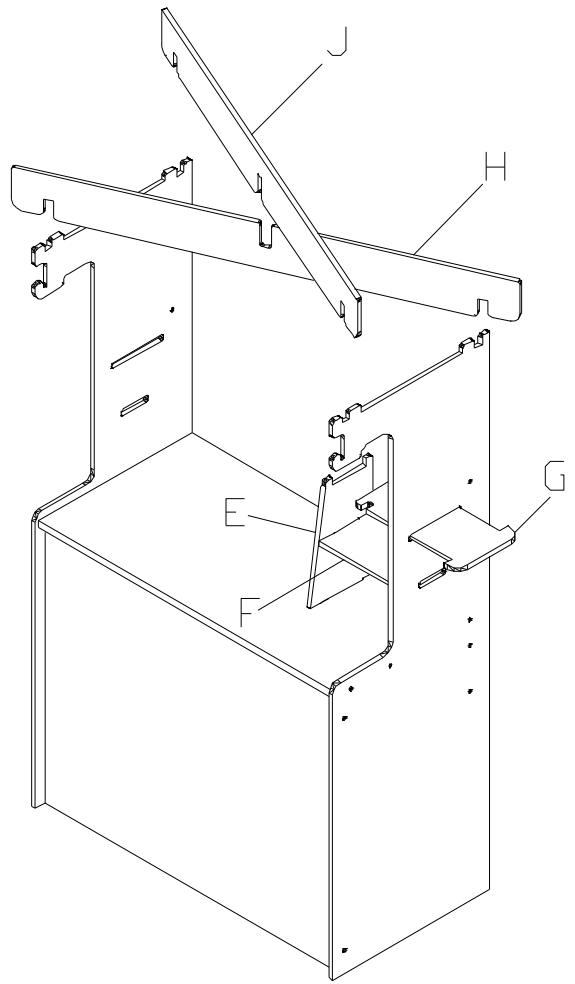
An Adult Should **ALWAYS SUPERVISE PLAY!**

Please retain our address for future reference

Manufactured by:
Mike Miller Associates Ltd.,
Syke Road, Wigton. Cumbria CA7 9NS
Tel: 016973 49774/45300 Fax: 016973 45511
Email: info@twoey.co.uk
Website: www.twoeytoys.com
Registered in England No: 1425839
Registered Office: The Old Brewery, Caldbeck.
Cumbria CA7 8EW



THE SLOT IN COUNTER (D) SHOULD BE TOWARDS THE BACK OF THE SHOP AND ON THE SIDE WHERE YOU WANT TO POSITION THE COUNTER SHELF UNIT.

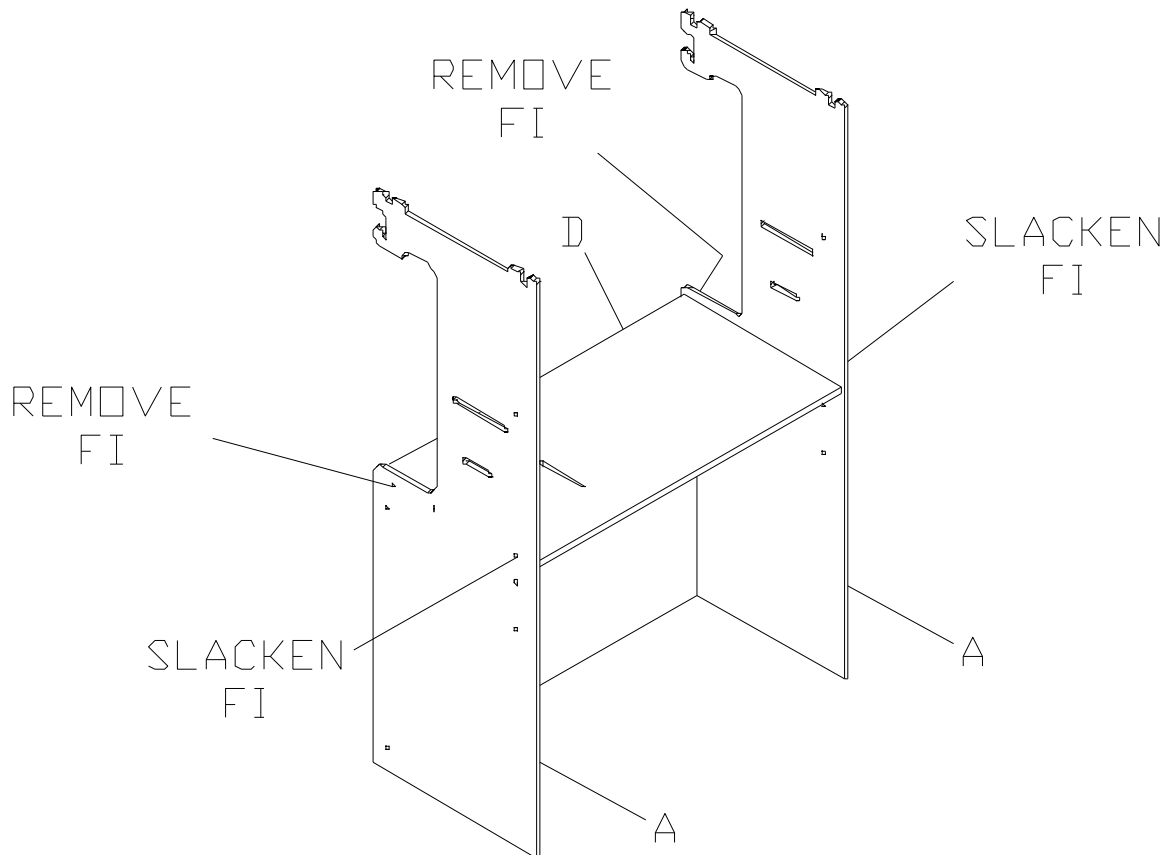
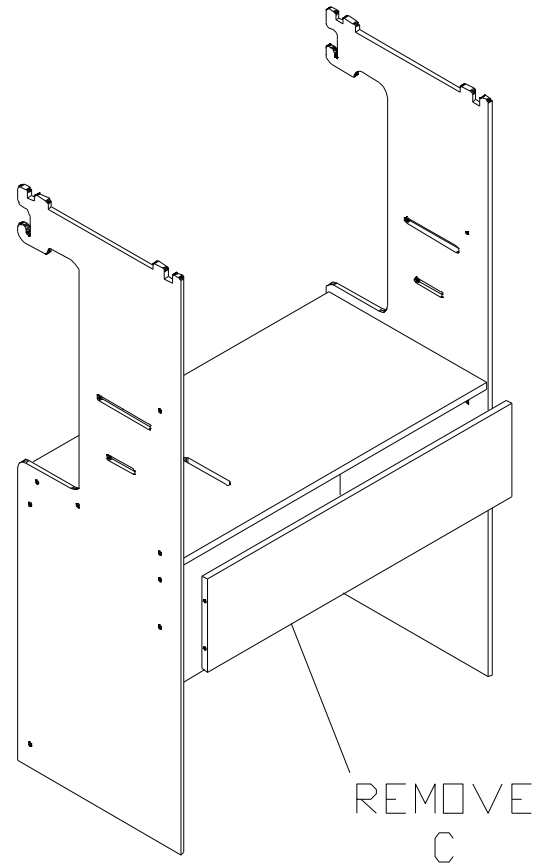


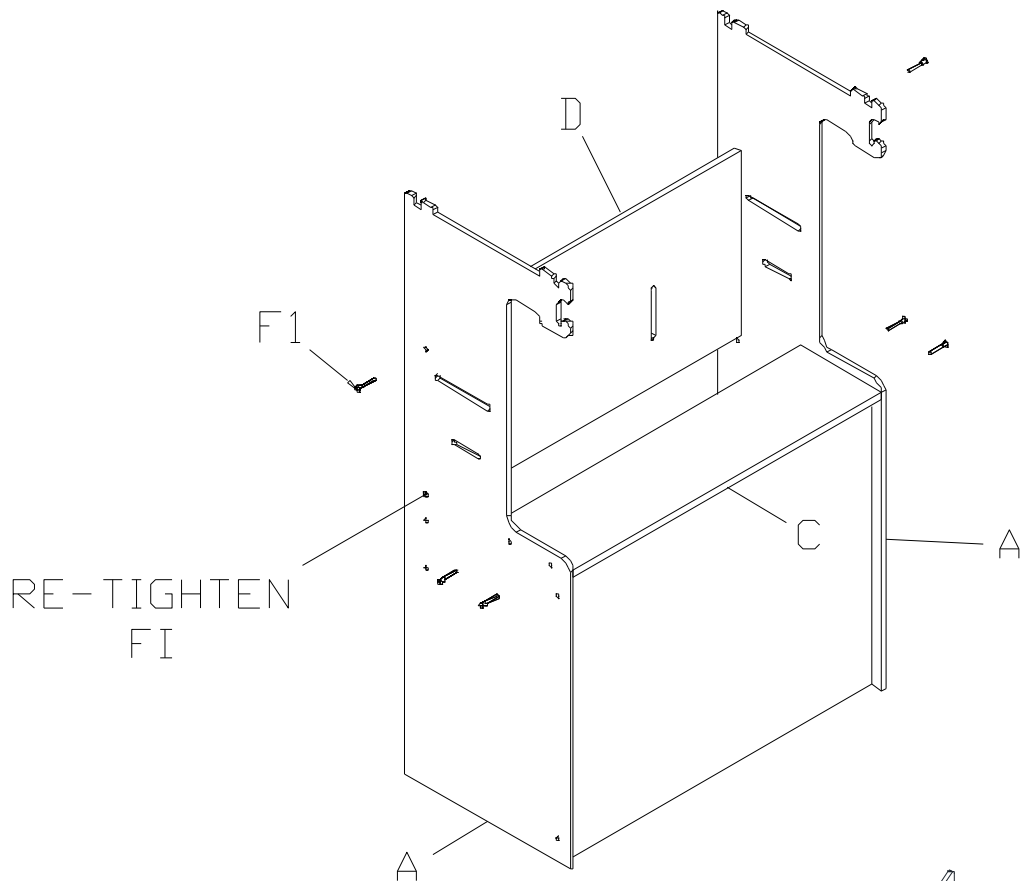
TO CONVERT THE SHOP INTO A THEATRE.

FIRST REMOVE SUPPORTS (H & J) AND THE SHELF UNIT FROM THE TOP OF THE COUNTER (D).

NEXT REMOVE COUNTER BRACE (C).

SLACKEN SCREWS AT BACK OF COUNTER (D) AS SHOWN BELOW AND THEN REMOVE SCREWS AT THE FRONT OF COUNTER (D).

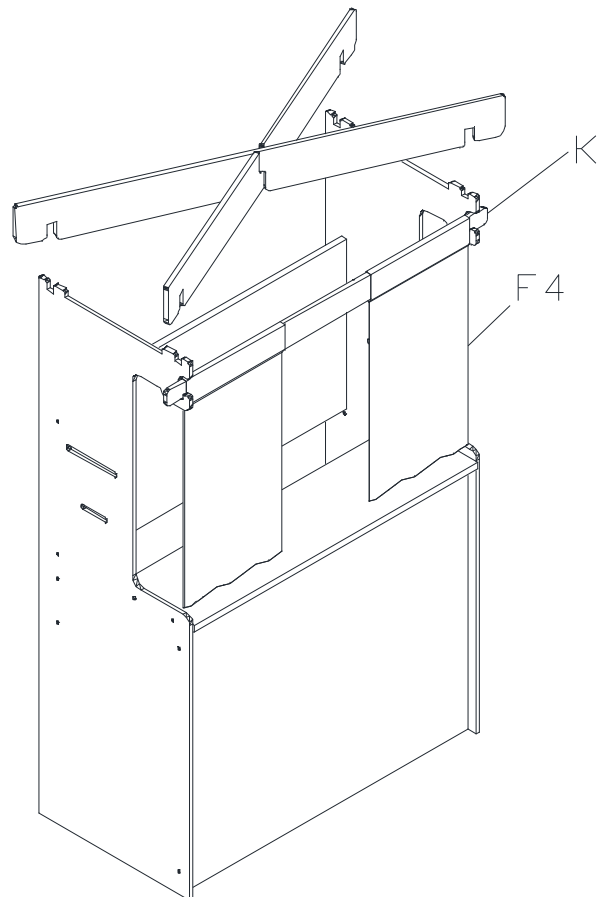




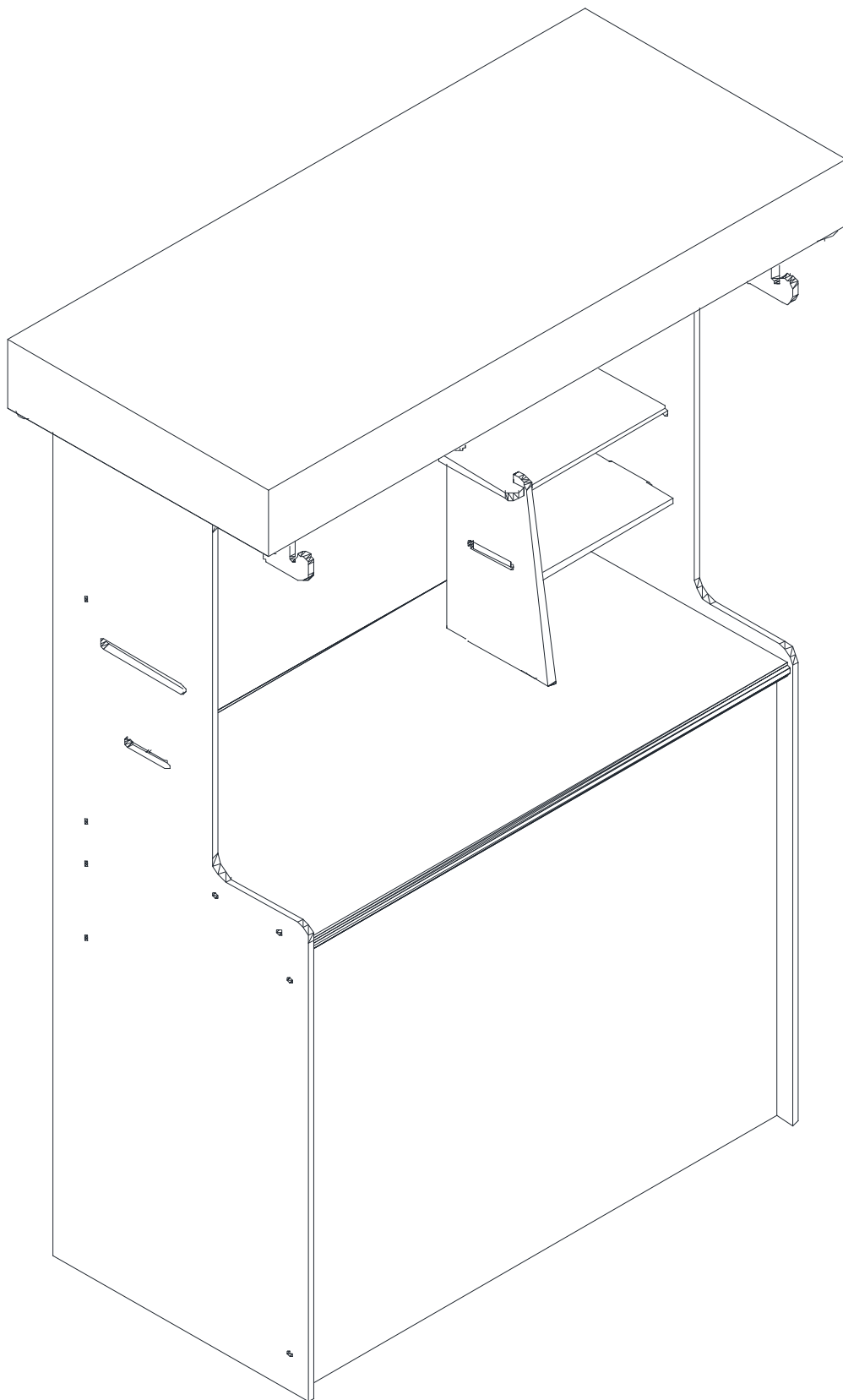
PIVOT COUNTER (D) TO THE UPRIGHT POSITION AND FASTEN USING THE SCREWS REMOVED EARLIER.

RE-FIT COUNTER BRACE (C) AT THE FRONT OF THE UNIT USING SCREWS REMOVED EARLIER.

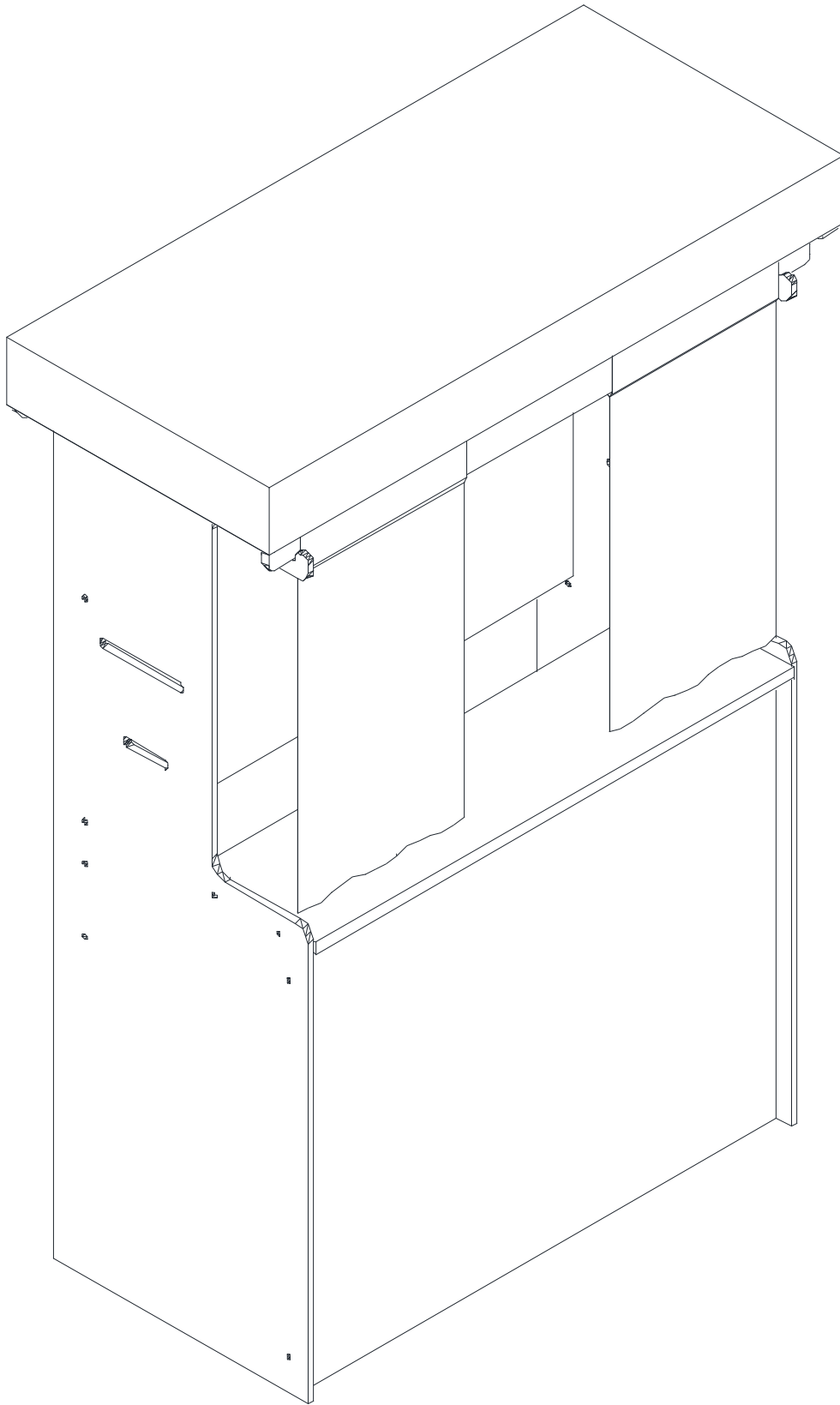
FIT CURTAIN RAIL (K) AND CURTAINS (F4) AND CANOPY SUPPORTS (H & J) WITH THE CANOPY (F3) TO COMPLETE THE UNIT.



THE SHOP ARRANGEMENT



THE THEATRE ARRANGEMENT



5020 - SHOP/THEATRE WITH DRYWIPE BOARD COMPONENTS LIST (CS0438)

