

KYOWA SERVICE CENTER (MAIN)

RM. 1203, STATE CENTER BLDG, #333 JUAN LUNA ST, BINONDO MANILA
TEL: 242-1731 - 35

METRO MANILA

TRONIX QUEZON CITY (MAIN) #777 N.S. AMORANTO ST, COR. STO. DOMINGO AVE, Q.C.
TEL: 743-9094 / 749-8477 MOBILE: 0922-8534797/0917-5231489 CONTACT PERSON: MS. JENIELYN MANZANO

TRONIX MANILA #1793 CONCEPCION AGUILA ST, NEAR J.P. LAUREL ST, SAN MIGUEL, MANILA (NEAR MALACANANG)
TEL: 743-4088 MOBILE: 0922-7909555 CONTACT PERSON: MS. ANALEN FIADACAN

TRONIX STA. CRUZ #910 LUZON ST. (BET. MASANGKAY & BENAVIDEZ ST.) STA. CRUZ, MANILA
TEL: 542-8345 / 310-3553 MOBILE: 0922-2389971 CONTACT PERSON: MS. SHEILA PIRANTE

TRONIX SAN JUAN #135 N.DOMINGO ST, CORNER PINAGLABANAN, BRGY. BALONG BATO, SAN JUAN CITY
TEL: 949-3608 / 984-6395 MOBILE: 0922-9218653 CONTACT PERSON: MS. MICHELLE CASAÑA

TRONIX ALABANG TOWN CENTER LA-7 SERVICE TOWN, ALABANG TOWN CENTER, MUNTINLUPA CITY
TEL: 807-3546 / 624-6880 MOBILE: 0922-7584917 / 0917-5899059 CONTACT PERSON: MR. FRANCIS ACOSTA

TRONIX PARAÑAQUE #103 CMSR BLDG, PHASE 1, 88 PRESIDENT AVENUE, BF HOME, PARAÑAQUE
TEL: 622-4540 / 861-0092 / 828-2915 MOBILE: 0917-5978342 / 0932-4060806 CONTACT PERSON: MS. ELIZABETH PALIMA

TRONIX MAKATI #103 MJM BLDG, 650 JP RIZAL ST, BRGY. VALENZUELA MAKATI CITY
TEL: 710-1980 / 949-3684 MOBILE: 0932-1999085

TRONIX MARIKINA #572 J.P. RIZAL AVE, CONCEPCION 1, MARIKINA (IN FRONT OF KSERVICO)
TEL: 696-6411 MOBILE: 0942-0940088

TRONIX PASIG LOWER GROUND SERVICE LANE, SM CENTER, PASIG
TEL: 703-5599 / 234-9020 MOBILE: 0932-1999372 CONTACT PERSON: MS. NORA CRESENCIO

TRONIX SHAW - MANDALUYONG #412 SHAW BLVD, COR. TORRES & CALDERON ST, MANDALUYONG CITY
TEL: 542-8360 / 725-7290 MOBILE: 0923-1646350 CONTACT PERSON: MS. SHERLY DELA CRUZ

TRONIX COMMONWEALTH LAGMANLAG COMMONWEALTH AVE, HOLY SPIRIT, DILIMAN, Q.C. (BESIDE SHELL)
TEL: 623-7266 MOBILE: 0933-6584465 / 09175810546 CONTACT PERSON: MR. MANNY SAGAYAP

CAVITE

TRONIX CAVITE KM 16, AGUINALDO HI-WAY, NIOG 1-A, PANAPAAN 1, BACOR, CAVITE
TEL: (046) 519-0755 / (046) 475-6362 MOBILE: 0932-1991811 CONTACT PERSON: MS. MEANN DIONISIO

CEBU

MARKWELL ENTERPRISES #85 SIKATUNA ST, CEBU CITY
TEL: (032) 253-0752 MOBILE: 0917-6256934 CONTACT PERSON: MR. BOY SOUICO

BIO PLUS ELEC. REPAIR CENTER C. PADILLA ST, SAN ROQUE, MAMBALING, CEBU CITY
TEL: (032) 262-1339 MOBILE: 0922-4744991 CONTACT PERSON: MS. ZYSELDA MABUTE

DAVAO

KOOL EXPRESS DOOR 5, LUA BLDG, QUIRINO AVE, DAVAO CITY
TEL: (082) 227-6369 MOBILE: 0908-420-6303 CONTACT PERSON: MS. DORIS ASIRIT

ILOILO

NACES APPLIANCE CORPORATION NACES BLDG, #10 DELGADO ST, ILOILO
TEL: (033) 337-7696 MOBILE: (033) 508-2205 CONTACT PERSON: MS. LORELIE LIM

TARLAC

TARLAC MAC ENTERPRISES INC. BLK. 9, MCARTHUR HIGHWAY, SAN NICOLAS, TARLAC
TEL: (045) 982-3178 MOBILE: 0922-8597136



BOX FAN

MODEL # KW-6900

Voltage: 230V a.c. 60Hz Power: 48 WATTS



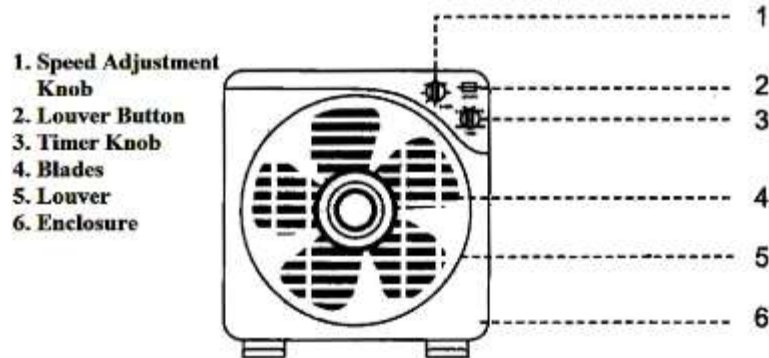
INSTRUCTION MANUAL

CONGRATULATIONS

You are now a proud new owner of a KYOWA Box Fan model no. KW-6900.

Before using for the first time, kindly take time to carefully read your instruction manual. Please observe all safety precautions and follow operating procedures. After reading, kindly store your instruction manual in a safe place for your future reference. Should you pass on this Box Fan to a third party, please hand over this instruction manual as well.

PARTS DESCRIPTION



IMPORTANT SAFEGUARDS

When using your Box Fan, basic safety precautions should always be followed:

- Always operate your KYOWA Box Fan from a power source of the same voltage and frequency rating as indicated on the rating label.
- Place the Box Fan on a flat surface and far from the edge of counter top.
- Do not operate the Box Fan if any part of it has been damaged. Return the appliance to the nearest authorized dealer or service facility for repair.
- Do not operate or place any part of your Box Fan on or near any hot surface such as a gas or electric burner, hotplate or heated fan.
- Do not use or replace accessories of the Box Fan, other than the ones originally provided.
- Switch OFF and unplug the Box Fan from outlet when not in use or before cleaning.
- Always turn setting controls to OFF before disconnecting the cord from the power supply. Hold plug when unplugging from socket. Do not unplug by pulling the supply cord.

- To reduce the risk of electric shock, do not immerse or expose the Box Fan to rain, moisture or any liquid.
- Do not use the Box Fan if the power supply cord is damaged in any manner, bring unit to authorized service facility for repair.
- Keep out of reach from children or from persons with mental or physical disabilities.
- This KYOWA Box Fan is intended for normal domestic/household use only. This model is not suitable for commercial use.

HOW TO USE

- Plug fan into the power outlet.
- Turn speed adjustment knob to the desired rotating speed by turning the clockwise or counter clockwise from 0 to 3.
 - 0 – Stop/OFF
 - 1 – Low
 - 2 – Medium
 - 3 – High
- Activate Louver by pressing the Louver Switch to MOVE setting. When Louver is activated, the fan will cycle and blow wind at 360°. Turn OFF Louver by pressing STOP.
- If you wish your Box Fan to automatically turn OFF after a certain period of time, adjust Time Knob clockwise from 1 to 120 minutes.
- Remove plug from the power outlet after use.

CLEAN AND CARE

- To clean Box Fan, wipe movable parts of the unit using a soft damp cloth and mild liquid detergent.
- Avoid using harsh or abrasive cleaning materials when cleaning the Box Fan.
- To maintain good performance of the Box Fan, put machine oil in the front and back bearings of the motor once a year.
- Wipe dry Box Fan with a soft and dry cloth.
- Store in a cool and dry place.

SERVICE

- Do not operate your KYOWA Box Fan if the unit malfunctions or appears damaged in any manner. Bring the complete unit to the place of purchase or to any authorized KYOWA dealers for inspection, repair or replacement.
- Do not disassemble your KYOWA Box Fan by yourself. No user serviceable parts inside. Refer all needed repair to an authorized KYOWA service facility ONLY.