

KYOWA SERVICE CENTER

Rm. 1203 State Center Building

#333 Juan Luna St., Binondo
Manila, Philippines



WALL FAN

MODEL # KW-6810

Voltage: 230V a.c. 60Hz Power: 55 WATTS



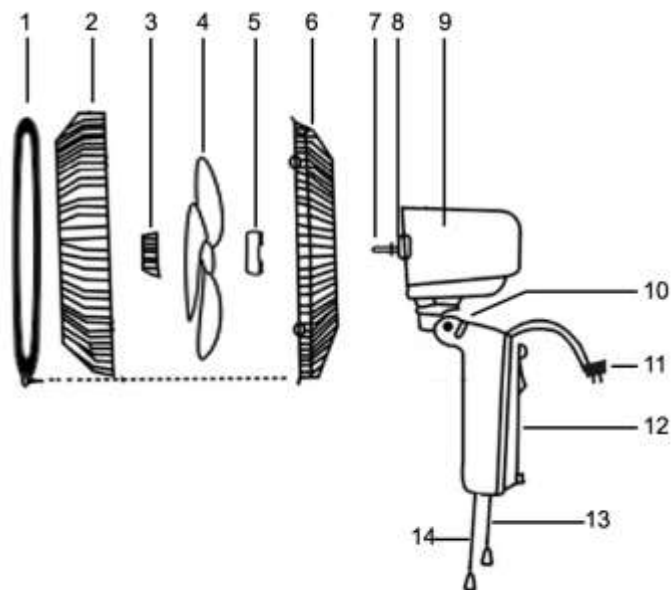
INSTRUCTION MANUAL

CONGRATULATIONS

You are now a proud new owner of a KYOWA Wall Fan model no. KW-6810.

Before using for the first time, kindly take time to carefully read your instruction manual. Please observe all safety precautions and follow operating procedures. After reading, kindly store your instruction manual in a safe place for your future reference. Should you pass on this Wall Fan to a third party, please hand over this instruction manual as well.

PARTS DESCRIPTION



- | | |
|------------------------|---------------------------------|
| 1. Guard Lock | 8. Shaft Guard |
| 2. Front Guard | 9. Motor |
| 3. Blade Cap | 10. Tilt Adjustment Knob |
| 4. Blade | 11. Power Cord and Plug |
| 5. Rear Guard Lock Nut | 12. Bottom Plate |
| 6. Rear Guard | 13. Pull Cord for Oscillation |
| 7. Shaft Pin | 14. Pull Cord for Speed Control |

IMPORTANT SAFEGUARDS

When using Kyowa Wall Fan, basic safety precautions should always be followed:

- Always operate your KYOWA Wall Fan from a power source of the same voltage and frequency rating as indicated on the rating label.
- Do not operate or place any part of your Wall Fan on or near any hot surface such as a gas or electric burner, hotplate or heated oven.
- Do not operate the Wall Fan if any part of it has been damaged. Return the appliance to the nearest authorized dealer or service facility for repair.
- Do not use or replace accessories of the Wall Fan, other than the ones originally provided.
- Switch OFF and unplug the Wall Fan from outlet when not in use or before cleaning.
- Always turn setting controls to OFF before disconnecting the cord from the power supply. Hold plug when unplugging from socket. Do not unplug by pulling the supply cord.
- To reduce the risk of electric shock, do not immerse or expose the Wall Fan to rain, moisture or any liquid.
- Keep out of reach from children or from persons with mental or physical disabilities.

HOW TO USE

HOW TO ASSEMBLE

- Mount Rear Guard into the Motor by aligning Rear Guard holes into the round pins on the motor. Push in gently until the Motor pins protrude through the Rear Guard holes.
- Secure Rear Guard in place by turning in Rear Guard Lock Nut into the Shaft Guard. Rotate Rear Guard Lock Nut clockwise to lock in place.
- Push Fan Blade into the Shaft.
- Secure Blade by rotating Blade Cap into the Shaft counter-clockwise.
- Fasten Front Guard into the Rear Guard. Connect Front and Rear Guard by putting Guard Lock on the circumference of the attached Front and Rear Guards. Tighten Guard Lock screw to lock in place.

OPERATING INSTRUCTIONS

- Plug in Wall Fan into the power supply.
- Pull string for Speed Control from 1 to 3 speed setting. Pull string to 0 to turn the unit to OFF.
- From steady mode, pull Oscillating Cord to oscillate fan head from side to side while blowing air.
- To adjust fan head vertically, pull Oscillating Cord to steady mode, then loosen Tilt Adjustment Knob by turning counter-clockwise. Adjust fan head upward or downward to desired angle then tighten Tilt Adjustment Knob by turning clockwise.

WALL INSTALLATION

- Drill hole into the wall then install provided hanging screw.
- Hang fan unit into the wall. Make sure that the base plate of the fan is properly fixed into the screw on the wall.

CLEAN AND CARE

- Carefully wash movable parts of the Industrial Ground Fan with water and mild detergent.
- Avoid any kind of liquid to seep into the motor of the unit.
- Avoid using harsh or abrasive cleaning materials when cleaning.
- Wipe dry Industrial Ground Fan with a soft and dry cloth.
- Put back parts and accessories of the Industrial Ground Fan to their proper position before operating again.

SERVICE

- Do not operate your KYOWA Wall Fan if the unit malfunctions or appears damaged in any manner. Bring the complete product to the place of purchase or to any authorized KYOWA dealers for inspection, repair or replacement.
- Do not disassemble your KYOWA Wall Fan by yourself. No user serviceable parts inside. Refer all needed repair to an authorized KYOWA service facility ONLY.