

KYOWA SERVICE CENTER (MAIN)

Rm. 1203 State Center Building
#333 Juan Luna St., Binondo
Manila, Philippines
242-1731 to 35



BLENDER

MODEL # KW-4727

Voltage: 230V a.c. 60Hz Power: 700 WATTS



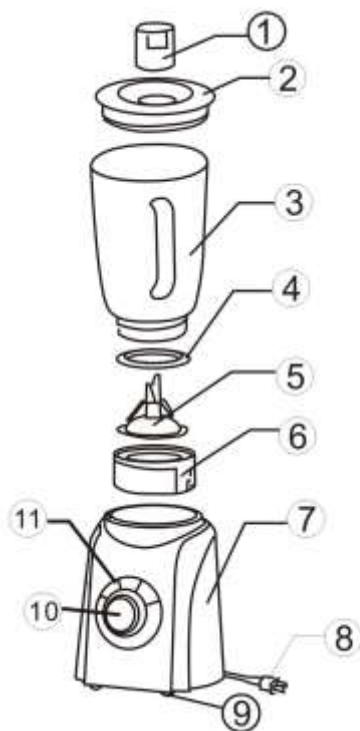
INSTRUCTION MANUAL

CONGRATULATIONS

You are now a proud new owner of a KYOWA Blender model no. KW-4727.

Before using for the first time, kindly take time to carefully read your instruction manual. Please observe all safety precautions and follow operating procedures. After reading, kindly store your instruction manual in a safe place for your future reference. Should you pass on this Blender to a third party, please hand over this instruction manual as well.

PARTS DESCRIPTION



1. Feeder Cup
2. Lid
3. Blender Jar
4. Rubber Sealing Ring
5. Blade
6. Blender Jar Base
7. Motor Base
8. Power Cord and Plug
9. Non-Slip Rubber Footing
10. Speed Adjustment Control Knob
11. Function Buttons

IMPORTANT SAFEGUARDS

When using your Blender, basic safety precautions should always be followed:

- Always operate your KYOWA Blender from a power source of the same voltage and frequency rating as indicated on the rating label.
- Do not place the unit on uneven surfaces. Place Blender upon a flat area surface and far from the edge of counter top.
- Do not use Blender in damp or wet area. Keep dry the exterior and the base of the Blender.
- Do not operate the Blender if any part of it has been damaged. Return the appliance to the nearest authorized dealer or service facility for repair.
- Do not operate or place any part of your KYOWA Blender on or near any hot surface such as a gas or electric burner, hotplate or heated oven.
- Do not use or replace accessories other than the ones originally provided.
- Always ensure that the Blender Jar container is firmly attached to the Motor Base before operating.
- Always ensure that the cover is tightly closed while the Blender is in operation.
- Always choose the lowest setting first when using the Blender. Set higher speed level if you notice that Blender is taking much time processing food.
- Remove Feeder Cup from the Blender Jar Lid when processing hot liquids.
- Use a rubber spatula to push or mix foods to be processed inside the Blender. Make sure that the unit is turned OFF when mixing foods inside the container.
- Do not overload Blender by putting too much food on the container exceeding the MAX line indicated on the Blender container.
- Never leave the Blender unattended when in use.
- Wait until the Blender has completely stopped processing before removing container from the base.
- Switch OFF and unplug the Blender outlet before emptying, when not in use or before cleaning.
- Hold plug when unplugging from socket. Do not unplug by pulling the supply cord.
- To reduce the risk of electric shock, do not immerse or expose the Blender to rain, moisture or any liquid.
- Keep out of reach from children or from persons with mental or physical disabilities.
- This KYOWA Blender is intended for normal domestic/household use only. This unit is not suitable for commercial use.

HOW TO USE

- Remove all packaging materials from the Blender. Completely untangle or unwind the power cable of the unit.
- Place Blender Jar on the Motor Base. This unit is equipped with a safety device and the blender does not operate if the jar is not fixed securely to the Motor Base.
- Wash food to be processed in the blender then cut into small pieces not larger than 1 inch. Put sliced fruits or vegetables inside the Blender Jar.
- Cover Jar with the provided Lid then put Feeder Cup in place.
- Make sure that the Speed Adjustment Control Knob is turned to OFF before connecting cord to the power supply. Indicator light will illuminate to indicate that the unit is working.
- Turn Speed Adjustment Control Knob to ON – notice that the Indicator Light will illuminate brighter to indicate that the unit is ready to use.
- Rest hand on the container Lid to support the unit while in operation.
- Turn Speed Adjustment Control Knob clockwise from MIN to MAX or see BLENDER FUNCTION BUTTONS for special blending operation.
- Allow blender to run for about 1 minute then turn OFF. Allow unit to rest for about 1 minute then repeat process until the food that you are processing is already well blended.
- To add ingredients while blending, remove Feeder Cup and gradually add ingredients into the small opening on the cover.

BLENDER FUNCTION BUTTONS

- **SMOOTHIE** – Blade rotates at HIGH speed – suitable for smooth blending. Turn Speed Control Knob to ON then press and release Smoothie button to activate. Press said button again to turn OFF.
- **ICE** – Blade rotates at HIGH speed for one second then shuts off for 0.5 seconds – suitable for crushing ice. To activate, Turn Speed Control Knob to ON then press and release Ice button. Press button again to turn OFF.
- **PULSE** – Blade rotates at HIGH speed at controlled-cycle operation. Turn Speed Control Knob to ON then press and hold Pulse button to activate. Release Pulse button to turn OFF.

CLEAN AND CARE

- After every use, wash movable parts of the Blender with warm, soapy water. You may also use the dishwasher to clean the Blender Jar, Lid and Feeder Cup of the Blender unit.
- The Blender Jar may be washed by putting water and a few drops of liquid detergent on it. Place jar in the Motor Base then allow to operate for about 10 seconds. Discard liquid then rinse blender container thoroughly.
- Never immerse Blender Motor in water. Clean motor housing by wiping with a soft and damp cloth.
- Never use abrasive cleaning agents or any metallic and sharp objects (e.g. scrubbing brush or knife) for cleaning.
- Wipe dry all parts of the Blender using a soft and dry cloth.
- Store Blender in a cool and dry place.
- Put back parts and accessories of the Blender to their proper places before operating again.

SERVICE

- Do not operate your KYOWA Blender if the Blender malfunctions or appears damaged in any manner. Bring the complete product to the place of purchase or to any authorized KYOWA dealers for inspection, repair or replacement.
- Do not disassemble your KYOWA Blender by yourself. No user serviceable parts inside. Refer all needed repair to an authorized KYOWA service facility ONLY.