

KYOWA SERVICE CENTER (MAIN)

RM. 1203, STATE CENTER BLDG, #333 JUAN LUNA ST, BINONDO MANILA
TEL: 242-1731 - 35

METRO MANILA

TRONIX QUEZON CITY (MAIN) #777 N.S. AMORANTO ST, COR. STO. DOMINGO AVE, Q.C.
TEL: 743-9094 / 749-8477 MOBILE: 0922-8534797/0917-5231489 CONTACT PERSON: MS. JENIELYN MANZANO

TRONIX MANILA #1793 CONCEPCION AGUILA ST, NEAR J.P. LAUREL ST, SAN MIGUEL, MANILA (NEAR MALACAÑANG)
TEL: 743-4088 MOBILE: 0922-7909555 CONTACT PERSON: MS. ANALEN FIADACAN

TRONIX STA. CRUZ #910 LUZON ST. (BET. MASANGKAY & BENAVIDEZ ST.) STA. CRUZ, MANILA
TEL: 542-8345 / 310-3553 MOBILE: 0922-2389971 CONTACT PERSON: MS. SHEILA PIRANTE

TRONIX SAN JUAN #135 N.DOMINGO ST, CORNER PINAGLABANAN, BRGY. BALONG BATO, SAN JUAN CITY
TEL: 949-3608 / 984-6395 MOBILE: 0922-9218653 CONTACT PERSON: MS. MICHELLE CASAÑA

TRONIX ALABANG TOWN CENTER LA-7 SERVICE TOWN, ALABANG TOWN CENTER, MUNTINLUPA CITY
TEL: 807-3546 / 624-6880 MOBILE: 0922-7584917 / 0917-5899059 CONTACT PERSON: MR. FRANCIS ACOSTA

TRONIX PARAÑAQUE #103 CMSR BLDG, PHASE 1, 88 PRESIDENT AVENUE, BF HOME, PARAÑAQUE
TEL: 622-4540 / 861-0092 / 828-2915 MOBILE: 0917-5978342 / 0932-4060806 CONTACT PERSON: MS. ELIZABETH PALIMA

TRONIX MAKATI #103 MJM BLDG, 650 JP RIZAL ST, BRGY. VALENZUELA MAKATI CITY
TEL: 710-1980 / 949-3684 MOBILE: 0932-1999085

TRONIX MARIKINA #572 J.P. RIZAL AVE, CONCEPCION 1, MARIKINA (IN FRONT OF KSERVICO)
TEL: 696-6411 MOBILE: 0942-0940088

TRONIX PASIG LOWER GROUND SERVICE LANE, SM CENTER, PASIG
TEL: 703-5599 / 234-9020 MOBILE: 0932-1999372 CONTACT PERSON: MS. NORA CRESENCIO

TRONIX SHAW - MANDALUYONG #412 SHAW BLVD, COR. TORRES & CALDERON ST, MANDALUYONG CITY
TEL: 542-8360 / 725-7290 MOBILE: 0923-1646350 CONTACT PERSON: MS. SHERLY DELA CRUZ

TRONIX COMMONWEALTH LAGMANLAG COMMONWEALTH AVE, HOLY SPIRIT, DILIMAN, Q.C. (BESIDE SHELL)
TEL: 623-7266 MOBILE: 0933-6584465 / 09175810546 CONTACT PERSON: MR. MANNY SAGAYAP

CAVITE

TRONIX CAVITE KM 16, AGUINALDO HI-WAY, NIOG 1-A, PANAPAAN 1, BACOR, CAVITE
TEL: (046) 519-0755 / (046) 475-6362 MOBILE: 0932-1991811 CONTACT PERSON: MS. MEANN DIONISIO

CEBU

MARKWELL ENTERPRISES #85 SIKATUNA ST, CEBU CITY
TEL: (032) 253-0752 MOBILE: 0917-6256934 CONTACT PERSON: MR. BOY SOUICO

BIO PLUS ELEC. REPAIR CENTER C. PADILLA ST, SAN ROQUE, MAMBALING, CEBU CITY
TEL: (032) 262-1339 MOBILE: 0922-4744991 CONTACT PERSON: MS. ZYSELDA MABUTE

DAVAO

KOOL EXPRESS DOOR 5, LUA BLDG, QUIRINO AVE, DAVAO CITY
TEL: (082) 227-6369 MOBILE: 0908-420-6303 CONTACT PERSON: MS. DORIS ASIRIT

ILOILO

NACES APPLIANCE CORPORATION NACES BLDG, #10 DELGADO ST, ILOILO
TEL: (033) 337-7696 MOBILE: (033) 508-2205 CONTACT PERSON: MS. LORELIE LIM

TARLAC

TARLAC MAC ENTERPRISES INC. BLK. 9, MCARTHUR HIGHWAY, SAN NICOLAS, TARLAC
TEL: (045) 982-3178 MOBILE: 0922-8597136



JUICE EXTRACTOR

MODEL # KW-4210

Voltage: 230Va.c. 60Hz Power: 400 WATTS



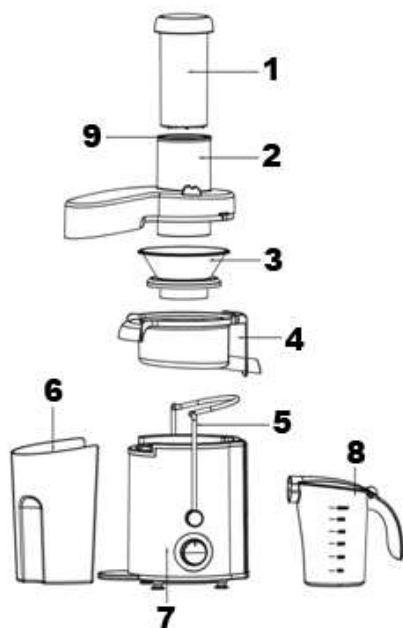
INSTRUCTION MANUAL

CONGRATULATIONS

You are now a proud new owner of a KYOWA Juice Extractor model no. KW-4210.

Before using for the first time, kindly take time to carefully read your instruction manual. Please observe all safety precautions and follow operating procedures. After reading, kindly store your instruction manual in a safe place for your future reference. Should you pass on this Juice Extractor to a third party, please hand over this instruction manual as well.

PARTS DESCRIPTION



1. Pushing Bar
2. Transparent Cover
3. Juicing Net
4. Middle Ring
5. Handle
6. Residue Barrel
7. Motor Cover
8. Juice Cup
9. Feeding Funnel

IMPORTANT SAFEGUARDS

When using the Juice Extractor, basic safety precautions should always be followed:

- Always operate your KYOWA Juice Extractor from a power source of the same voltage and frequency rating as indicated on the rating label.
- Do not place unit on uneven surfaces. Place upon a flat area surface and far from the edge of the counter top.
- Do not operate the Juice Extractor if any part of it including its supply cord has been damaged. Return the unit to the nearest authorized dealer or service facility for repair.
- Do not operate or place any part of your KYOWA Juice Extractor on or near any hot surface such as gas / electric burner or heated oven.
- Always make sure that the juicer Handle is clamped securely in place before the motor is turned ON. Do not fasten or unfasten Handle while the juicer is in operation.
- Do not use accessories or any other objects in the Juice Extractor other the ones originally provided.
- Place fruit and vegetable into the Feeding Funnel one at a time. Do not overload funnel or use excessive force to press food through the feeding hole.
- Never use your finger or any other objects to push the fruit or vegetable into the Feeding Funnel. Use Pushing Bar or another piece of fruit or vegetable to push it down.
- If the fruit got stuck in the Cover while the motor is operating, turn OFF juicer and unplug from the outlet. Disassemble juicer to remove fruit.
- Never leave the Juice Extractor unattended when in use.
- Switch OFF and unplug the Juice Extractor from outlet when not in use or before cleaning.
- Hold plug when unplugging from socket. Do not unplug by pulling the supply cord.
- To reduce the risk of electric shock, do not immerse or expose the Juice Extractor to rain, moisture or any liquid.
- This appliance is not intended for use by persons (including children) with reduced physical, sensory or mental capabilities, lack of experience and knowledge, unless they have been given supervision or instruction concerning use of the appliance by a person responsible for their safety.
- Children should be supervised to ensure that they do not play with the appliance.
- This KYOWA Juice Extractor is intended for normal domestic/household use only. This unit is not suitable for commercial use.

HOW TO USE

- Assemble Juice Extractor completely. Clamp Cover into the unit. Make sure securing Handle is safely locked; otherwise, the unit will shut OFF or will not function accordingly.
- Make sure that the Juice Extractor is turned OFF before inserting plug into the power source.
- Wash fruits and/or vegetables then cut into pieces that would fit the Feeding Funnel.
- Switch Power ON by turning knob clockwise to I or II depending on the fruit or vegetable you are about to process.
- Insert the chopped fruits and vegetables into the Feeding Funnel and gently push the Pushing Bar down.
- When Juice Cup is already full, switch OFF the unit and empty the container before continuing.
- Vitamins disappear quickly from fruits and vegetables when processed so it is recommended to consume the juice as soon as possible.
- When extracting juice from apples, add a few drops of lemon into the processed juice to keep it from turning brown too quickly.
- Vegetable and fruit pulps after juice extraction can still be used as a base for soups, sauces, jams and desserts.
- Do not run the Juice Extractor for more than 2 minutes at a stretch. Turn OFF and let the unit rest for 1 minute to cool down the motor before turning ON again. Once overheated or overloaded, the unit will shut OFF automatically. When this happens, unplug from power supply then allow unit to cool down for about 30 minutes before turning ON again.
- Switch OFF and unplug Juice Extractor after use.

CLEAN AND CARE

- Unplug Juice Extractor from the power outlet before putting on and taking off parts.
- Unfasten the unit Handle then remove the Transparent Cover, Juicing Net and Middle Ring.
- Wash movable parts under running water. Never use dishwasher or pour hot water when cleaning the unit.
- Place juicer blades under running water to remove fruit and vegetable residue. Never wash blades using bare hands to avoid any untoward incident.
- Do not use harsh cleaning agents or abrasive objects (e.g. scrubbing pads or metal brushes) for cleaning.
- Use damp cloth to clean the motor housing. Avoid any kind of liquid to seep into the main motor of the unit.
- Pat dry all parts using a soft, dry cloth.
- Put back parts and accessories of the Juice Extractor to their proper places before operating again.

SERVICE

- Do not operate your KYOWA Juice Extractor if the unit malfunctions or appears damaged in any manner. Bring the complete product to the place of purchase or to any authorized KYOWA dealers for inspection, repair or replacement.
- Do not disassemble your KYOWA Juice Extractor by yourself. No user serviceable parts inside. Refer all needed repair to an authorized KYOWA service facility ONLY.