

### **KYOWA SERVICE CENTER (MAIN)**

RM. 1203, STATE CENTER BLDG, #333 JUAN LUNA ST, BINONDO MANILA  
TEL: 242-1731 - 35

#### **METRO MANILA**

**TRONIX QUEZON CITY (MAIN)** #777 N.S. AMORANTO ST, COR. STO. DOMINGO AVE, Q.C.  
TEL: 743-9094 / 749-8477 MOBILE: 0922-8534797/0917-5231489 CONTACT PERSON: MS. JENIELYN MANZANO

**TRONIX MANILA** #1793 CONCEPCION AGUILA ST, NEAR J.P. LAUREL ST, SAN MIGUEL, MANILA (NEAR MALACAÑANG)  
TEL: 743-4088 MOBILE: 0922-7909555 CONTACT PERSON: MS. ANALEN FIADACAN

**TRONIX STA. CRUZ** #910 LUZON ST. (BET. MASANGKAY & BENAVIDEZ ST.) STA. CRUZ, MANILA  
TEL: 542-8345 / 310-3553 MOBILE: 0922-2389971 CONTACT PERSON: MS. SHEILA PIRANTE

**TRONIX SAN JUAN** #135 N.DOMINGO ST, CORNER PINAGLABANAN, BRGY. BALONG BATO, SAN JUAN CITY  
TEL: 949-3608 / 984-6395 MOBILE: 0922-9218653 CONTACT PERSON: MS. MICHELLE CASAÑA

**TRONIX ALABANG TOWN CENTER** LA-7 SERVICE TOWN, ALABANG TOWN CENTER, MUNTINLUPA CITY  
TEL: 807-3546 / 624-6880 MOBILE: 0922-7584917 / 0917-5899059 CONTACT PERSON: MR. FRANCIS ACOSTA

**TRONIX PARAÑAQUE** #103 CMSR BLDG, PHASE 1, 88 PRESIDENT AVENUE, BF HOME, PARAÑAQUE  
TEL: 622-4540 / 861-0092 / 828-2915 MOBILE: 0917-5978342 / 0932-4060806 CONTACT PERSON: MS. ELIZABETH PALIMA

**TRONIX MAKATI** #103 MJM BLDG, 650 JP RIZAL ST, BRGY. VALENZUELA MAKATI CITY  
TEL: 710-1980 / 949-3684 MOBILE: 0932-1999085

**TRONIX MARIKINA** #572 J.P. RIZAL AVE, CONCEPCION 1, MARIKINA (IN FRONT OF KSERVICO)  
TEL: 696-6411 MOBILE: 0942-0940088

**TRONIX PASIG** LOWER GROUND SERVICE LANE, SM CENTER, PASIG  
TEL: 703-5599 / 234-9020 MOBILE: 0932-1999372 CONTACT PERSON: MS. NORA CRESENCIO

**TRONIX SHAW - MANDALUYONG** #412 SHAW BLVD, COR. TORRES & CALDERON ST, MANDALUYONG CITY  
TEL: 542-8360 / 725-7290 MOBILE: 0923-1646350 CONTACT PERSON: MS. SHERLY DELA CRUZ

**TRONIX COMMONWEALTH** LAGMANLAG COMMONWEALTH AVE, HOLY SPIRIT, DILIMAN, Q.C. (BESIDE SHELL)  
TEL: 623-7266 MOBILE: 0933-6584465 / 09175810546 CONTACT PERSON: MR. MANNY SAGAYAP

#### **CAVITE**

**TRONIX CAVITE** KM 16, AGUINALDO HI-WAY, NIOG 1-A, PANAPAAN 1, BACoor, CAVITE  
TEL: (046) 519-0755 / (046) 475-6362 MOBILE: 0932-1991811 CONTACT PERSON: MS. MEANN DIONISIO

#### **CEBU**

**MARKWELL ENTERPRISES** #85 SIKATUNA ST, CEBU CITY  
TEL: (032) 253-0752 MOBILE: 0917-6256934 CONTACT PERSON: MR. BOY SOUICO

**BIO PLUS ELEC. REPAIR CENTER** C. PADILLA ST, SAN ROQUE, MAMBALING, CEBU CITY  
TEL: (032) 262-1339 MOBILE: 0922-4744991 CONTACT PERSON: MS. ZYSELDA MABUTE

#### **DAVAO**

**KOOL EXPRESS** DOOR 5, LUA BLDG, QUIRINO AVE, DAVAO CITY  
TEL: (082) 227-6369 MOBILE: 0908-420-6303 CONTACT PERSON: MS. DORIS ASIRIT

#### **ILOILO**

**NACES APPLIANCE CORPORATION** NACES BLDG, #10 DELGADO ST, ILOILO  
TEL: (033) 337-7696 MOBILE: (033) 508-2205 CONTACT PERSON: MS. LORELIE LIM

#### **TARLAC**

**TARLAC MAC ENTERPRISES INC.** BLK. 9, MCARTHUR HIGHWAY, SAN NICOLAS, TARLAC  
TEL: (045) 982-3178 MOBILE: 0922-8597136



## **TURBO BROILER**

**MODEL NO.: KW-3915**

Voltage: 230Va.c. 60Hz Power: 1300 WATTS



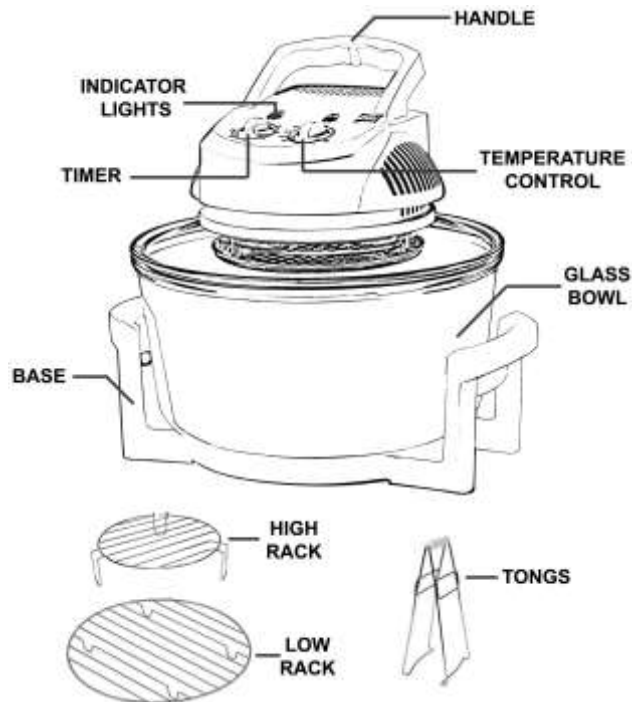
**INSTRUCTION MANUAL**

## CONGRATULATIONS

You are now a proud new owner of a KYOWA Turbo Broiler model no. KW-3915.

Before using for the first time, kindly take time to carefully read your instruction manual. Please observe all safety precautions and follow operating procedures. After reading, kindly store your instruction manual in a safe place for your future reference. If you pass this Turbo Broiler to a third party, this instruction manual must also be handed over.

## PARTS DESCRIPTION



## IMPORTANT SAFEGUARDS

When using your Turbo Broiler, basic safety precautions should always be followed:

- Always operate your KYOWA Turbo Broiler from a power source of the same voltage and frequency rating as indicated on the rating label.
- Place the Turbo Broiler on a flat surface and far from the edge of counter top.
- Keep at least 3 inches of space on all sides of the Turbo Broiler to allow proper ventilation.
- Do not operate the Turbo Broiler if any part of it including supply cord has been damaged. Return the appliance to the nearest authorized dealer or service facility for repair.
- Do not operate or place any part of your Turbo Broiler on or near any hot surface such as a gas or electric burner, hotplate or heated oven.
- Do not use or replace accessories of the Turbo Broiler, other than the ones originally provided.
- Oversized foods must not be put inside the Turbo Broiler to avoid the risk of fire or electric shock.
- This Turbo Broiler is not intended to be used with an external timer. Use only the timer control of the oven.
- Avoid touching hot surfaces of the Turbo Broiler during use. Use the cover or handle only.
- Never leave the Turbo Broiler unattended when in use.
- Turn timer to OFF and plug from the outlet before lifting off the lid of the oven.
- Always turn setting controls to OFF before disconnecting the cord from the power supply. Hold plug when unplugging from socket. Do not unplug by pulling the supply cord.
- Switch OFF and unplug the Turbo Broiler from outlet when not in use or before cleaning.
- To reduce the risk of electric shock, do not immerse or expose the Turbo Broiler to rain, moisture or any liquid.
- Keep out of reach from children or from persons with mental or physical disabilities.
- This KYOWA Turbo Broiler is intended for normal domestic/household use only. This model is not suitable for commercial use.

- This appliance is not intended for use by persons (including children) with reduced physical, sensory or mental capabilities, lack of experience and knowledge, unless they have been given supervision or instruction concerning use of the appliance by a person responsible for their safety.
- Children should be supervised to ensure that they do not play with the appliance.

## HOW TO USE

- For initial use, wipe glass bowl with a soft, damp cloth. Place lid on top then heat up Turbo Broiler without any food inside.
- Some parts of the Turbo Broiler have been slightly greased and as a result, the oven might slightly emit smoke when connected for the first time. This however, will cease after you have used the oven for some time.
- Put the Wire Rack inside the bowl of the Turbo Broiler.
- Place food in the Wire Rack allowing at least 1 inch of space from the glass bowl.
- Cover glass bowl with the lid.
- Insert plug into the wall outlet.
- Set temperature up to 250°C by turning the Temperature Control Button clockwise.
- Set cooking time up to 60 minutes or as required by the food you are cooking by turning the Timer Button clockwise.
- When cooking, use the High Rack. This allows hot air to circulate around the food freely so it will minimize cooking time.
- You may cook two different foods at the same time inside the Turbo Broiler by using two wire racks. When doing this, put food that takes longer time to cook on the bottom rack.
- Turbo Broiler will automatically turn OFF after the set time is finished.
- **Roasting/Broiling:**  
Place food directly on the wire rack. Cooking time may vary according to the size of the food that you are roasting.
- **Baking:**  
Place food to be baked in a metal or tempered glass pan not more than 12 inches in diameter to leave enough space for proper hot air circulation.
- **Steaming:**  
When steaming vegetables, place food in aluminium foil pouch, add few drops of water then seal pouch.

- **Frying:**  
Dip food to be fried in oil then place on the wire rack.
- **Toasting:**  
When toasting bread or chips, place food directly on the wire rack.
- **Defrosting:**  
Place food to be defrosted on the wire rack then set heat control of the Turbo Broiler to 50°C. To cook frozen foods directly in the oven, just lower the temperature inside the oven to 20°C until the food is cooked.

## CLEAN AND CARE

- Allow the Turbo Broiler to cool down before cleaning.
- Wash the bowl and the wire rack with warm soapy water or by using a dishwasher.
- Wipe external parts of the oven using a soft, damp cloth a mild detergent.
- Wipe dry the Turbo Broiler using a soft and dry cloth.
- Do not use harsh cleaning agents or abrasive objects (e.g. scrubbing pads or metal brushes) for cleaning.
- Store Turbo Broiler in a cool dry place after cleaning.
- The Turbo Broiler may also be cleaned by putting water on the glass bowl. Cover bowl with lid then set temperature to 100. Heat oven for 10 to 12 minutes then rinse thoroughly.

## SERVICE

- Do not operate your KYOWA Turbo Broiler if the oven malfunctions or appears damaged in any manner. Bring the complete product to the place of purchase or to any authorized KYOWA dealers for inspection, repair or replacement.
- Do not disassemble your KYOWA Turbo Broiler by yourself. No user serviceable parts inside. Refer all needed repair to an authorized KYOWA service facility ONLY.