

KYOWA SERVICE CENTER (MAIN)

RM. 1203, STATE CENTER BLDG, #333 JUAN LUNA ST, BINONDO MANILA
TEL: 242-1731 - 35

METRO MANILA

TRONIX QUEZON CITY (MAIN) #777 N.S. AMORANTO ST, COR. STO. DOMINGO AVE, Q.C.
TEL: 743-9094 / 749-8477 MOBILE: 0922-8534797/0917-5231489 CONTACT PERSON: MS. JENIELYN MANZANO

TRONIX MANILA #1793 CONCEPCION AGUILA ST, NEAR J.P. LAUREL ST, SAN MIGUEL, MANILA (NEAR MALACAÑANG)
TEL: 743-4088 MOBILE: 0922-7909555 CONTACT PERSON: MS. ANALEN FIADACAN

TRONIX STA. CRUZ #910 LUZON ST. (BET. MASANGKAY & BENAVIDEZ ST.) STA. CRUZ, MANILA
TEL: 542-8345 / 310-3553 MOBILE: 0922-2389971 CONTACT PERSON: MS. SHEILA PIRANTE

TRONIX SAN JUAN #135 N.DOMINGO ST, CORNER PINAGLABANAN, BRGY. BALONG BATO, SAN JUAN CITY
TEL: 949-3608 / 984-6395 MOBILE: 0922-9218653 CONTACT PERSON: MS. MICHELLE CASAÑA

TRONIX ALABANG TOWN CENTER LA-7 SERVICE TOWN, ALABANG TOWN CENTER, MUNTINLUPA CITY
TEL: 807-3546 / 624-6880 MOBILE: 0922-7584917 / 0917-5899059 CONTACT PERSON: MR. FRANCIS ACOSTA

TRONIX PARAÑAQUE #103 CMSR BLDG, PHASE 1, 88 PRESIDENT AVENUE, BF HOME, PARAÑAQUE
TEL: 622-4540 / 861-0092 / 828-2915 MOBILE: 0917-5978342 / 0932-4060806 CONTACT PERSON: MS. ELIZABETH PALIMA

TRONIX MAKATI #103 MJM BLDG, 650 JP RIZAL ST, BRGY. VALENZUELA MAKATI CITY
TEL: 710-1980 / 949-3684 MOBILE: 0932-1999085

TRONIX MARIKINA #572 J.P. RIZAL AVE, CONCEPCION 1, MARIKINA (IN FRONT OF KSERVICO)
TEL: 696-6411 MOBILE: 0942-0940088

TRONIX PASIG LOWER GROUND SERVICE LANE, SM CENTER, PASIG
TEL: 703-5599 / 234-9020 MOBILE: 0932-1999372 CONTACT PERSON: MS. NORA CRESENCIO

TRONIX SHAW - MANDALUYONG #412 SHAW BLVD, COR. TORRES & CALDERON ST, MANDALUYONG CITY
TEL: 542-8360 / 725-7290 MOBILE: 0923-1646350 CONTACT PERSON: MS. SHERLY DELA CRUZ

TRONIX COMMONWEALTH LAGMANLAG COMMONWEALTH AVE, HOLY SPIRIT, DILIMAN, Q.C. (BESIDE SHELL)
TEL: 623-7266 MOBILE: 0933-6584465 / 09175810546 CONTACT PERSON: MR. MANNY SAGAYAP

CAVITE

TRONIX CAVITE KM 16, AGUINALDO HI-WAY, NIOG 1-A, PANAPAAN 1, BACOR, CAVITE
TEL: (046) 519-0755 / (046) 475-6362 MOBILE: 0932-1991811 CONTACT PERSON: MS. MEANN DIONISIO

CEBU

MARKWELL ENTERPRISES #85 SIKATUNA ST, CEBU CITY
TEL: (032) 253-0752 MOBILE: 0917-6256934 CONTACT PERSON: MR. BOY SOUICO

BIO PLUS ELEC. REPAIR CENTER C. PADILLA ST, SAN ROQUE, MAMBALING, CEBU CITY
TEL: (032) 262-1339 MOBILE: 0922-4744991 CONTACT PERSON: MS. ZYSELDA MABUTE

DAVAO

KOOL EXPRESS DOOR 5, LUA BLDG, QUIRINO AVE, DAVAO CITY
TEL: (082) 227-6369 MOBILE: 0908-420-6303 CONTACT PERSON: MS. DORIS ASIRIT

ILOILO

NACES APPLIANCE CORPORATION NACES BLDG, #10 DELGADO ST, ILOILO
TEL: (033) 337-7696 MOBILE: (033) 508-2205 CONTACT PERSON: MS. LORELIE LIM

TARLAC

TARLAC MAC ENTERPRISES INC. BLK. 9, MCARTHUR HIGHWAY, SAN NICOLAS, TARLAC
TEL: (045) 982-3178 MOBILE: 0922-8597136



TURBO BROILER

MODEL # KW-3907

Voltage: 230Va.c. 60Hz Power: 1300 WATTS



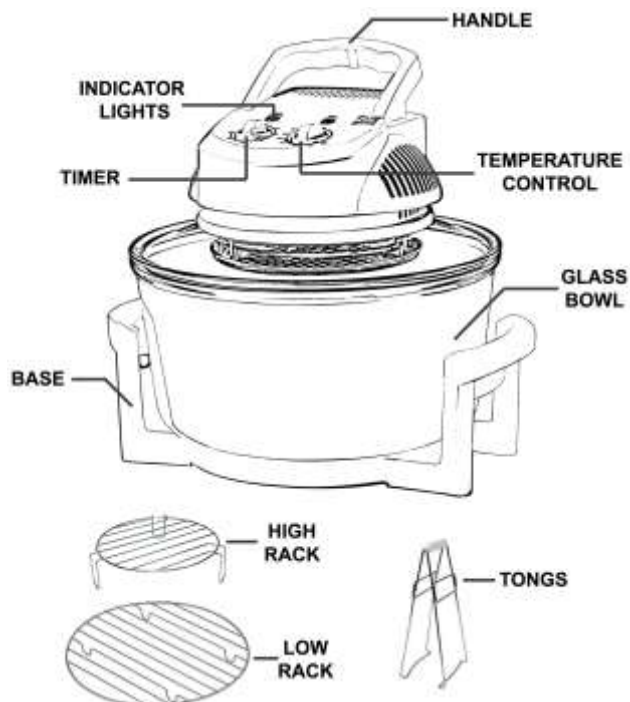
INSTRUCTION MANUAL

CONGRATULATIONS

You are now a proud new owner of a KYOWA Turbo Broiler model no. KW-3907.

Before using for the first time, kindly take time to carefully read your instruction manual. Please observe all safety precautions and follow operating procedures. After reading, kindly store your instruction manual in a safe place for your future reference. Should you pass on this Turbo Broiler to a third party, please hand over this instruction manual as well.

PARTS DESCRIPTION



IMPORTANT SAFEGUARDS

When using your KYOWA Turbo Broiler, basic safety precautions should always be followed:

- Always operate your KYOWA Turbo Broiler from a power source of the same voltage and frequency rating as indicated on the rating label.
- Place the Turbo Broiler on a flat surface and far from the edge of counter top.
- Keep at least 2 inches of space on all sides of the Turbo Broiler to allow proper ventilation.
- Do not operate the Turbo Broiler if any part of it including the supply cord has been damaged. Return the appliance to the nearest authorized dealer or service facility for repair.
- Do not operate or place any part of your Turbo Broiler on or near any hot surface such as a gas or electric burner, hotplate or heated oven.
- Do not use or replace accessories of the Turbo Broiler, other than the ones originally provided.
- Oversized foods must not be put inside the Turbo Broiler pot to avoid risk of fire or electric shock.
- This Turbo Broiler is not intended to be used with an external timer. Use only the timer control of the oven.
- Avoid touching hot surfaces of the Turbo Broiler during use. Use the handle only to lift up and remove.
- Never leave the Turbo Broiler unattended when in use.
- Turn timer to OFF and plug from the outlet before lifting off the lid of the oven.
- Always turn setting controls to OFF before disconnecting the cord from the power supply. Hold plug when unplugging from socket. Do not unplug by pulling the supply cord.
- Switch OFF and unplug the Turbo Broiler from outlet when not in use or before cleaning.
- To reduce the risk of electric shock, do not immerse or expose the Turbo Broiler to rain, moisture or any liquid.
- Keep out of reach from children or from persons with mental or physical disabilities.
- Children should be supervised to ensure that they do not play with the appliance.

- This appliance is not intended for use by persons (including children) with reduced physical, sensory or mental capabilities, lack of experience and knowledge, unless they have been given supervision or instruction concerning use of the appliance by a person responsible for their safety.
- This KYOWA Turbo Broiler is intended for normal domestic/household use only. This unit is not suitable for commercial use.

HOW TO USE

- For initial use, wipe bowl with a soft, damp cloth. Place lid on top then heat up Turbo Broiler without any food inside.
- Some parts of the Turbo Broiler have been slightly greased and as a result, the oven might slightly emit smoke when connected for the first time. This however, will cease after you have used the oven for some time.
- Put the Wire Rack inside the stainless steel pot of the Turbo Broiler.
- Place food on top of Wire Rack, allowing at least 1 inch of space from the pot.
- Cover pot with the Turbo Broiler head unit.
- Insert plug into the wall outlet.
- Set temperature from 125°C to 250°C by turning the Temperature Control Button.
- Set cooking time from 6 minutes to 60 minutes or as required by the food you are cooking by turning the Timer Button.
- Using the High Rack while cooking allows hot air to circulate around the food freely and will minimize cooking time.
- Two different foods at the same time inside the Turbo Broiler by using two wire racks. When doing this, put food that takes longer time to cook on the bottom rack.
- Turbo Broiler will automatically turn OFF after the set time has expired.
- **Roasting/Broiling:**
Place food directly on the wire rack inside the pot. Cooking time may vary according to the size of the food that you are roasting.
- **Baking:**
Place food to be baked in a metal or tempered glass pan not more than 10 inches in diameter to leave enough space for proper hot air circulation.
- **Steaming:**
When steaming vegetables, place food in aluminium foil pouch, add few drops of water then seal pouch.
- **Frying:**
Dip food to be fried in oil then place on the wire rack.

- **Toasting:**
When toasting bread or chips, place food directly on the wire rack.
- **Defrosting:**
Place food to be defrosted on the wire rack. Set heat control of the Turbo Broiler to Thaw/Wash.

CLEAN AND CARE

- Allow the Turbo Broiler to cool down before cleaning.
- Wash the stainless steel pot and the wire rack with warm soapy water or by using a dishwasher.
- Wipe external parts of the oven using a soft, damp cloth and a mild detergent.
- Wipe dry the Turbo Broiler using a soft, dry cloth.
- Do not use harsh cleaning agents or abrasive objects (e.g. scrubbing pads or metal brushes) for cleaning.
- Store Turbo Broiler in a cool dry place after cleaning.
- The Turbo Broiler may also be cleaned by putting water on the glass bowl. Cover bowl with lid then set temperature to 100. Heat oven for 10 to 12 minutes then rinse thoroughly.
- Put back parts and accessories of the Turbo Broiler to their proper places before operating again.

SERVICE

- Do not operate your KYOWA Turbo Broiler or if the oven malfunctions or appears damaged in any manner. Bring the complete product to the place of purchase or to any authorized KYOWA dealers for inspection, repair or replacement.
- Do not disassemble your KYOWA Turbo Broiler by yourself. No user serviceable parts inside. Refer all needed repair to an authorized KYOWA service facility ONLY.