

## **KYOWA SERVICE CENTER (MAIN)**

RM. 1203, STATE CENTER BLDG, #333 JUAN LUNA ST, BINONDO MANILA  
TEL: 242-1731 - 35

### **METRO MANILA**

**TRONIX QUEZON CITY (MAIN)** #777 N.S. AMORANTO ST, COR. STO. DOMINGO AVE, Q.C.  
TEL: 743-9094 / 749-8477 MOBILE: 0922-8534797/0917-5231489 CONTACT PERSON: MS. JENIELYN MANZANO

**TRONIX MANILA** #1793 CONCEPCION AGUILA ST, NEAR J.P. LAUREL ST, SAN MIGUEL, MANILA (NEAR MALACANANG)  
TEL: 743-4088 MOBILE: 0922-7909555 CONTACT PERSON: MS. ANALEN FIADACAN

**TRONIX STA. CRUZ** #910 LUZON ST. (BET. MASANGKAY & BENAVIDEZ ST.) STA. CRUZ, MANILA  
TEL: 542-8345 / 310-3553 MOBILE: 0922-2389971 CONTACT PERSON: MS. SHEILA PIRANTE

**TRONIX SAN JUAN** #135 N.DOMINGO ST, CORNER PINAGLABANAN, BRGY. BALONG BATO, SAN JUAN CITY  
TEL: 949-3608 / 984-6395 MOBILE: 0922-9218653 CONTACT PERSON: MS. MICHELLE CASAÑA

**TRONIX ALABANG TOWN CENTER** LA-7 SERVICE TOWN, ALABANG TOWN CENTER, MUNTINLUPA CITY  
TEL: 807-3546 / 624-6880 MOBILE: 0922-7584917 / 0917-5899059 CONTACT PERSON: MR. FRANCIS ACOSTA

**TRONIX PARAÑAQUE** #103 CMSR BLDG, PHASE 1, 88 PRESIDENT AVENUE, BF HOME, PARAÑAQUE  
TEL: 622-4540 / 861-0092 / 828-2915 MOBILE: 0917-5978342 / 0932-4060806 CONTACT PERSON: MS. ELIZABETH PALIMA

**TRONIX MAKATI** #103 MJM BLDG, 650 JP RIZAL ST, BRGY. VALENZUELA MAKATI CITY  
TEL: 710-1980 / 949-3684 MOBILE: 0932-1999085

**TRONIX MARIKINA** #572 J.P. RIZAL AVE, CONCEPCION 1, MARIKINA (IN FRONT OF KSERVICO)  
TEL: 696-6411 MOBILE: 0942-0940088

**TRONIX PASIG** LOWER GROUND SERVICE LANE, SM CENTER, PASIG  
TEL: 703-5599 / 234-9020 MOBILE: 0932-1999372 CONTACT PERSON: MS. NORA CRESENCIO

**TRONIX SHAW - MANDALUYONG** #412 SHAW BLVD, COR. TORRES & CALDERON ST, MANDALUYONG CITY  
TEL: 542-8360 / 725-7290 MOBILE: 0923-1646350 CONTACT PERSON: MS. SHERLY DELA CRUZ

**TRONIX COMMONWEALTH** LAGMANLAG COMMONWEALTH AVE, HOLY SPIRIT, DILIMAN, Q.C. (BESIDE SHELL)  
TEL: 623-7266 MOBILE: 0933-6584465 / 09175810546 CONTACT PERSON: MR. MANNY SAGAYAP

### **CAVITE**

**TRONIX CAVITE** KM 16, AGUINALDO HI-WAY, NIOG 1-A, PANAPAAN 1, BACOR, CAVITE  
TEL: (046) 519-0755 / (046) 475-6362 MOBILE: 0932-1991811 CONTACT PERSON: MS. MEANN DIONISIO

### **CEBU**

**MARKWELL ENTERPRISES** #85 SIKATUNA ST, CEBU CITY  
TEL: (032) 253-0752 MOBILE: 0917-6256934 CONTACT PERSON: MR. BOY SOUICO

**BIO PLUS ELEC. REPAIR CENTER** C. PADILLA ST, SAN ROQUE, MAMBALING, CEBU CITY  
TEL: (032) 262-1339 MOBILE: 0922-4744991 CONTACT PERSON: MS. ZYSELDA MABUTE

### **DAVAO**

**KOOL EXPRESS** DOOR 5, LUA BLDG, QUIRINO AVE, DAVAO CITY  
TEL: (082) 227-6369 MOBILE: 0908-420-6303 CONTACT PERSON: MS. DORIS ASIRIT

### **ILOILO**

**NACES APPLIANCE CORPORATION** NACES BLDG, #10 DELGADO ST, ILOILO  
TEL: (033) 337-7696 MOBILE: (033) 508-2205 CONTACT PERSON: MS. LORELIE LIM

### **TARLAC**

**TARLAC MAC ENTERPRISES INC.** BLK. 9, MCARTHUR HIGHWAY, SAN NICOLAS, TARLAC  
TEL: (045) 982-3178 MOBILE: 0922-8597136



## **AIR FRYER**

**MODEL NO.: KW-3810**

Voltage: 230V a.c. 60Hz Power: 1600 WATTS



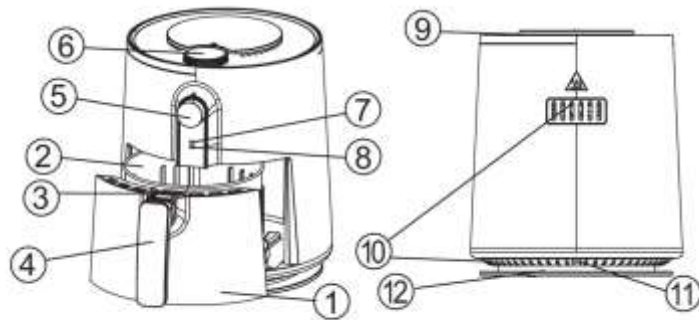
## **INSTRUCTION MANUAL**

## CONGRATULATIONS

You are now a proud new owner of a KYOWA Air Fryer model no. KW-3810.

Before using for the first time, kindly take time to carefully read your instruction manual. Please observe all safety precautions and follow operating procedures. After reading, kindly store your instruction manual in a safe place for your future reference. Should you pass on this Air Fryer to a third party, please hand over this instruction manual as well.

## PARTS DESCRIPTION



- |                            |                             |
|----------------------------|-----------------------------|
| 1 Oil tray                 | 7 Heating-up light          |
| 2 Basket                   | 8 Power-on light            |
| 3 Basket release button    | 9 Air inlet                 |
| 4 Basket handle            | 10 Air outlet openings      |
| 5 Timer / power-on knob    | 11 Mains cord               |
| 6 Temperature control knob | 12 Cord storage compartment |

## IMPORTANT SAFEGUARDS

When using your Air Fryer, basic safety precautions should always be followed:

- Always operate your KYOWA Air Fryer from a power source of the same voltage and frequency rating as indicated on the rating label.
- Place the Air Fryer on a flat surface and far from the edge of counter top.
- Keep at least 3 inches of space on all sides of the Air Fryer to allow proper ventilation.
- Do not operate the Air Fryer if any part of it has been damaged. Return the appliance to the nearest authorized dealer or service facility for repair.
- Do not operate or place any part of your Air Fryer on or near any hot surface such as a gas or electric burner, hotplate or heated oven.
- Do not use or replace accessories of the Air Fryer, other than the ones originally provided.
- Oversized foods must not be put inside the Air Fryer to avoid the risk of fire or electric shock.
- This Air Fryer is not intended to be used with an external timer. Use only the timer control of the unit.
- Avoid touching hot surfaces of the Air Fryer during use. Use the handle only.
- Never leave the Air Fryer unattended when in use.
- Turn timer to OFF and plug from the outlet before taking out the pot of the unit.
- Always turn setting controls to OFF before disconnecting the cord from the power supply. Hold plug when unplugging from socket. Do not unplug by pulling the supply cord.
- Switch OFF and unplug the Air Fryer from outlet when not in use or before cleaning.
- To reduce the risk of electric shock, do not immerse or expose the Air Fryer to rain, moisture or any liquid.
- Keep out of reach from children or from persons with mental or physical disabilities.
- This KYOWA Air Fryer is intended for normal domestic/household use only. This model is not suitable for commercial use.

## HOW TO USE

- Remove all packaging materials from the air fryer.
- Wash basket and oil tray with mild soap and lukewarm water; wipe other non-removable parts with soft and damp cloth. Dry all parts with a soft cloth thoroughly before assembling.
- Some parts of the air fryer have been slightly greased and as a result, the fryer might slightly emit smoke when connected for the first time. This however will

cease after you have used the fryer for some time.

- Place unit on a stable, and heat-resistant surface.
- Put basket in the oil tray then slide assembly inside the air fryer unit.
- Unwind cord from the storage compartment at the bottom portion of the unit.
- Connect power cord into the power supply.
- Set timer to 10 min, then preheat air fryer at MAX temperature setting. Power ON light and heating light shall then illuminate.
- Pull out oil tray and basket assembly from the unit.
- Place food in the fryer basket.
- Slide back oil tray and basket assembly into the unit.
- Set temperature as per food requirement.
- Turn timer knob to the required food cooking time. Turning timer knob will also turn the unit to ON.
- During cooking process, heating light may cycle to ON and OFF to maintain proper temperature inside the unit.
- Some food may require to be flipped or mixed halfway cooking time – you may do so by taking out oil tray and basket assembly from the unit. Detach basket from the tray by pressing down basket release button and then pull out basket from the tray. Shake tray or use a wooden spatula to flip or mix food.
- Kyowa air fryer is equipped with safety switch which automatically turns the unit to OFF once the basket is taken out or is not fitted properly into the unit. Just put back basket and tray into the unit to continue cooking.

### COOKING GUIDE:

FOOD	SIZE	TIME	TEMP.	REMARKS
FRIES	500g (frozen)	20 minutes	200°C	shake halfway cooking time
CHICKEN	1200g (whole)	60 minutes	180°C	turn halfway cooking time
	600g (2 pcs. leg part)	30 minutes	180°C	turn halfway cooking time
PORK	300g (2 pcs. chops)	30 minutes	180°C	turn halfway cooking time
CUP CAKE	100g (4 pcs.)	12 – 15 minutes	160°C	

**NOTE:** Cooking time and temperature setting may vary based on weight, size, and temperature of food. Adjust settings as needed.

### CLEAN AND CARE

- Allow the Air Fryer to cool down before cleaning.
- Wash the glass bowl and the wire racks with warm soapy water or by using a dishwasher.
- Wipe external parts of the fryer using a soft, damp cloth a mild detergent.
- Wipe dry the Air Fryer using a soft and dry cloth.
- Do not use harsh cleaning agents or abrasive objects (e.g. scrubbing pads or metal brushes) for cleaning.
- Store Air Fryer in a cool dry place after cleaning.
- The Air Fryer may also be cleaned by putting water on the glass bowl. Cover bowl with lid then set temperature to THAW/WASH. Heat fryer for 10 to 12 minutes then rinse thoroughly.
- Put back parts and accessories of the Air Fryer to their proper places before operating again.

### SERVICE

- Do not operate your KYOWA Air Fryer if the fryer malfunctions or appears damaged in any manner. Bring the complete product to the place of purchase or to any authorized KYOWA dealers for inspection, repair or replacement.
- Do not disassemble your KYOWA Air Fryer by yourself. No user serviceable parts inside. Refer all needed repair to an authorized KYOWA service facility ONLY.