

KYOWA SERVICE CENTER (MAIN)

RM. 1203, STATE CENTER BLDG, #333 JUAN LUNA ST, BINONDO MANILA
TEL: 242-1731 - 35

METRO MANILA

TRONIX QUEZON CITY (MAIN) #777 N.S. AMORANTO ST, COR. STO. DOMINGO AVE, Q.C.
TEL: 743-9094 / 749-8477 MOBILE: 0922-8534797/0917-5231489 CONTACT PERSON: MS. JENIELYN MANZANO

TRONIX MANILA #1793 CONCEPCION AGUILA ST, NEAR J.P. LAUREL ST, SAN MIGUEL, MANILA (NEAR MALACANANG)
TEL: 743-4088 MOBILE: 0922-7909555 CONTACT PERSON: MS. ANALEN FIADACAN

TRONIX STA. CRUZ #910 LUZON ST. (BET. MASANGKAY & BENAVIDEZ ST.) STA. CRUZ, MANILA
TEL: 542-8345 / 310-3553 MOBILE: 0922-2389971 CONTACT PERSON: MS. SHEILA PIRANTE

TRONIX SAN JUAN #135 N.DOMINGO ST, CORNER PINAGLABANAN, BRGY. BALONG BATO, SAN JUAN CITY
TEL: 949-3608 / 984-6395 MOBILE: 0922-9218653 CONTACT PERSON: MS. MICHELLE CASAÑA

TRONIX ALABANG TOWN CENTER LA-7 SERVICE TOWN, ALABANG TOWN CENTER, MUNTINLUPA CITY
TEL: 807-3546 / 624-6880 MOBILE: 0922-7584917 / 0917-5899059 CONTACT PERSON: MR. FRANCIS ACOSTA

TRONIX PARAÑAQUE #103 CMSR BLDG, PHASE 1, 88 PRESIDENT AVENUE, BF HOME, PARAÑAQUE
TEL: 622-4540 / 861-0092 / 828-2915 MOBILE: 0917-5978342 / 0932-4060806 CONTACT PERSON: MS. ELIZABETH PALIMA

TRONIX MAKATI #103 MJM BLDG, 650 JP RIZAL ST, BRGY. VALENZUELA MAKATI CITY
TEL: 710-1980 / 949-3684 MOBILE: 0932-1999085

TRONIX MARIKINA #572 J.P. RIZAL AVE, CONCEPCION 1, MARIKINA (IN FRONT OF KSERVICO)
TEL: 696-6411 MOBILE: 0942-0940088

TRONIX PASIG LOWER GROUND SERVICE LANE, SM CENTER, PASIG
TEL: 703-5599 / 234-9020 MOBILE: 0932-1999372 CONTACT PERSON: MS. NORA CRESENCIO

TRONIX SHAW - MANDALUYONG #412 SHAW BLVD, COR. TORRES & CALDERON ST, MANDALUYONG CITY
TEL: 542-8360 / 725-7290 MOBILE: 0923-1646350 CONTACT PERSON: MS. SHERLY DELA CRUZ

TRONIX COMMONWEALTH LAGMANLAG COMMONWEALTH AVE, HOLY SPIRIT, DILIMAN, Q.C. (BESIDE SHELL)
TEL: 623-7266 MOBILE: 0933-6584465 / 09175810546 CONTACT PERSON: MR. MANNY SAGAYAP

CAVITE

TRONIX CAVITE KM 16, AGUINALDO HI-WAY, NIOG 1-A, PANAPAAN 1, BACOR, CAVITE
TEL: (046) 519-0755 / (046) 475-6362 MOBILE: 0932-1991811 CONTACT PERSON: MS. MEANN DIONISIO

CEBU

MARKWELL ENTERPRISES #85 SIKATUNA ST, CEBU CITY
TEL: (032) 253-0752 MOBILE: 0917-6256934 CONTACT PERSON: MR. BOY SOUICO

BIO PLUS ELEC. REPAIR CENTER C. PADILLA ST, SAN ROQUE, MAMBALING, CEBU CITY
TEL: (032) 262-1339 MOBILE: 0922-4744991 CONTACT PERSON: MS. ZYSELDA MABUTE

DAVAO

KOOL EXPRESS DOOR 5, LUA BLDG, QUIRINO AVE, DAVAO CITY
TEL: (082) 227-6369 MOBILE: 0908-420-6303 CONTACT PERSON: MS. DORIS ASIRIT

ILOILO

NACES APPLIANCE CORPORATION NACES BLDG, #10 DELGADO ST, ILOILO
TEL: (033) 337-7696 MOBILE: (033) 508-2205 CONTACT PERSON: MS. LORELIE LIM

TARLAC

TARLAC MAC ENTERPRISES INC. BLK. 9, MCARTHUR HIGHWAY, SAN NICOLAS, TARLAC
TEL: (045) 982-3178 MOBILE: 0922-8597136



ELECTRIC GRILL

MODEL NO.: KW-3707

Voltage: 230Va.c. 60Hz Power: 2000 WATTS



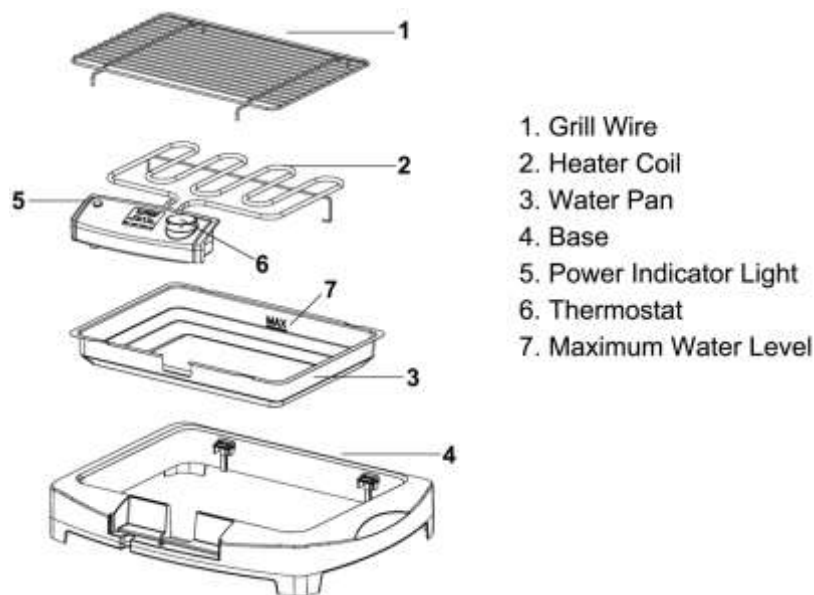
INSTRUCTION MANUAL

CONGRATULATIONS

You are now a proud new owner of a KYOWA Electric Grill model no. KW-3707.

Before using for the first time, kindly take time to carefully read your instruction manual. Please observe all safety precautions and follow operating procedures. After reading, kindly store your instruction manual in a safe place for your future reference. Should you pass on this Kyowa Electric Grill to a third party, please hand over this instruction manual as well.

PARTS DESCRIPTION



IMPORTANT SAFEGUARDS

When using your Electric Grill, basic safety precautions should always be followed:

- Always operate your KYOWA Electric Grill from a power source of the same voltage and frequency rating as indicated on the rating label.
- Place the Electric Grill on a flat surface and far from the edge of counter top.
- Do not operate the Electric Grill if any part of it has been damaged. Return the appliance to the nearest authorized dealer or service facility for repair.
- Do not operate or place any part of your Electric Grill on or near any hot surface such as gas or electric burner, hotplate or heated oven.
- Do not use or replace accessories of the Electric Grill, other than the ones originally provided.
- Never use any hard utensil when putting in or taking out food from the grill, use only utensils designed for non-stick cookware.
- Never leave the Electric Grill unattended when in use.
- Avoid touching hot surfaces of the griller when in operation. Use the cover handle only.
- Switch OFF and unplug the Electric Grill from outlet when not in use or before cleaning.
- Always turn setting controls to OFF before disconnecting the cord from the power supply. Hold plug when unplugging from socket. Do not unplug by pulling the supply cord.
- To reduce the risk of electric shock, do not immerse or expose the thermostat and heater coil to rain, moisture or any liquid.
- This appliance is not intended for use by persons (including children) with reduced physical, sensory or mental capabilities, lack of experience and knowledge, unless they have been given supervision or instruction concerning use of the appliance by a person responsible for their safety.
- Children should be supervised to ensure that they do not play with the appliance.

- Do not use the Electric Grill if the supply cord is damaged in any manner, bring the unit to authorized service facility for repair.
- Charcoal or similar combustible fuels must not be used with this appliance.
- This KYOWA Electric Grill is intended for normal domestic/household use. This model is not suitable for commercial use.

HOW TO USE

- Remove all packaging materials from the Electric Grill. Completely untangle or unwind the power cable of the grill.
- For initial use, wash grill wire, water pan, and base then dry with a soft cloth to ensure that the unit is free from any kind of dirt.
- Pour in water into the water pan making sure that the water does not exceed MAX marking.
- Place heater coil on top of the base.
- Put in grill wire over the top of the heater coil, aligning the grill feet into the holes on the base of the Electric Grill.
- Plug in Electric Grill into the power supply.
- Heat Electric Grill at MAX (225°C) temperature for about 5 minutes. Some parts of the grill have been slightly greased and as a result, the grill might slightly emit smoke when connected for the first time. This however, will cease after you have used the grill for some time.
- Put food to be grilled on the grill wire. Set temperature according to the thickness and weight of the food to be cooked; indicator light turns ON.
- For best results, turn food occasionally to ensure that the food is cooked according to your preference.
- While grilling, power indicator light will cycle ON and OFF – this is to ensure that internal components of the griller will not overheat for guaranteed safe cooking.

- Turn thermostat to OFF shortly before the food is about to get cooked. The heat in the griller would be sufficient enough for the last few minutes cooking; this will also reduce electric energy consumption.
- Unplug Electric Grill from the power supply.

CLEAN AND CARE

- Allow unit to cool down before cleaning.
- Carefully wash grill wire, water pan, and base with water and mild detergent, avoid any kind of liquid to seep into the heating element of the griller.
- Avoid using harsh or abrasive cleaning materials when cleaning the Electric Grill.
- Wipe dry Electric Grill with a soft and dry cloth.
- Put back parts and accessories of the Electric Grill to their proper position before operating again.
- Store in a cool and dry place.

SERVICE

- Do not operate your KYOWA Electric Grill if the unit malfunctions or appears damaged in any manner. Bring the complete unit to the place of purchase or to any authorized KYOWA dealers for inspection, repair or replacement.
- Do not disassemble your KYOWA Electric Grill by yourself. No user serviceable parts inside. Refer all needed repair to an authorized KYOWA service facility ONLY.