

KYOWA SERVICE CENTER

Rm. 1203 State Center Building
#333 Juan Luna St., Binondo
Manila, Philippines



OVEN TOASTER

MODEL # KW-3225

Voltage: 230V a.c. 60Hz Power: 650 WATTS



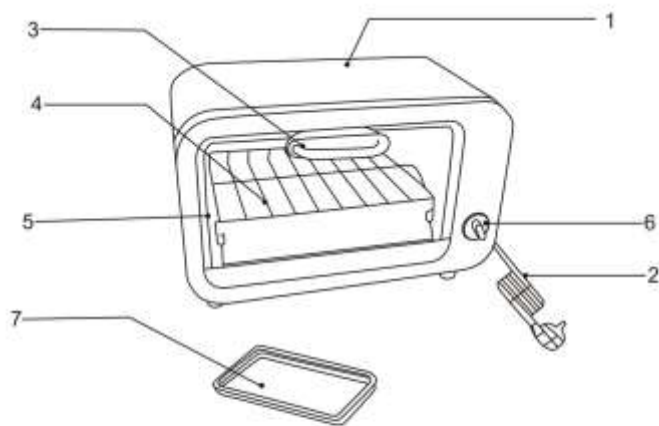
INSTRUCTION MANUAL

CONGRATULATIONS

You are now a proud new owner of a KYOWA Oven Toaster model no. KW-3225.

Before using for the first time, kindly take time to carefully read your instruction manual. Please observe all safety precautions and follow operating procedures. After reading, kindly store your instruction manual in a safe place for your future reference. Should you pass on this Oven Toaster to a third party, please hand over this instruction manual as well.

PARTS DESCRIPTION



- | | |
|------------------|----------------|
| 1. Housing | 5. Door Window |
| 2. Cord and Plug | 6. Timer Dial |
| 3. Door Handle | 7. Baking Tray |
| 4. Wire Rack | |

IMPORTANT SAFEGUARDS

When using your Oven Toaster, basic safety precautions should always be followed:

- Always operate your KYOWA Oven Toaster from a power source of the same voltage and frequency rating as indicated on the rating label.
- Connect the Oven Toaster unit only to properly wired wall outlets.
- Place the Oven Toaster on a flat surface and far from the edge of counter top.
- Do not operate or place any part of your Oven Toaster on or near any hot surface such as a gas or electric burner, hotplate or heated oven.
- Do not operate the Oven Toaster if any part of it has been damaged. Return the appliance to the nearest authorized dealer or service facility for repair.
- Do not use or replace accessories of the Oven Toaster other than the ones originally provided.
- Never leave the Oven Toaster unattended when in use.
- Avoid touching hot surfaces of the oven during use. Use the handle only.
- Hold plug when unplugging from socket. Do not unplug by pulling the supply cord.
- Switch OFF and unplug the Oven Toaster from outlet when not in use or before cleaning.
- To reduce the risk of electric shock, do not immerse or expose the Oven Toaster to rain, moisture or any liquid.
- Keep out of reach from children or from persons with mental or physical disabilities.
- This KYOWA Oven Toaster is intended for normal domestic/household use only. This model is not suitable for commercial use.

HOW TO USE

- When using for the first time, remove all packaging materials from the Oven Toaster. Completely untangle or unwind the power cable of the Oven Toaster.
- Some parts of the Oven Toaster have been slightly greased and as a result, the oven might slightly emit smoke when connected for the first time. This however, will cease after you have used the oven for some time.
- Check if the Timer is turned OFF before inserting the plug in a suitable socket.
- Place the food prepared for baking, toasting or grilling inside the Oven Toaster.
- Turn the Timer Dial to the desired toasting time.
- Oven Toaster will automatically turn OFF once the set time is over, which will be signalled by a short ringing sound.
- The TIMER will continually create ticking noises after the set time is over.
- The upper heating elements radiate more heat than the lower heating elements. This balances out the heating effect and is not a malfunction.
- Meat or fish must be wrapped in aluminium foil. Otherwise, it will cause discoloration in the oven compartment and will affect the heating condition of the Oven Toaster.
- Check the food and monitor the toasting process at regular intervals.
- Turn OFF Timer to switch OFF the Oven Toaster even before the Timer has finished its cycle.

CLEAN AND CARE

- First, unplug the Oven Toaster from the power outlet.
- Allow the toaster to cool down before cleaning.
- Clean the housing and outer surfaces of the Oven Toaster with a soft, damp cloth.
- Never use abrasive cleaning agents or sharp objects (e.g. scrubbing brush or knife) for cleaning.
- The Wire Rack and Crumb Tray may be washed in warm water and detergent.
- Put back parts and accessories of the Oven Toaster to their proper places before operating again.

SERVICE

- Do not operate your KYOWA Oven Toaster if the oven malfunctions or appears damaged in any manner. Bring the complete product to the place of purchase or to any authorized KYOWA dealers for inspection, repair or replacement.
- Do not disassemble your KYOWA Oven Toaster by yourself. No user serviceable parts inside. Refer all needed repair to an authorized KYOWA service facility ONLY.