

KYOWA SERVICE CENTER (MAIN)

RM. 1203, STATE CENTER BLDG, #333 JUAN LUNA ST, BINONDO MANILA
TEL: 242-1731 - 35

METRO MANILA

TRONIX QUEZON CITY (MAIN) #777 N.S. AMORANTO ST, COR. STO. DOMINGO AVE, Q.C.
TEL: 743-9094 / 749-8477 MOBILE: 0922-8534797/0917-5231489 CONTACT PERSON: MS. JENIELYN MANZANO

TRONIX MANILA #1793 CONCEPCION AGUILA ST, NEAR J.P. LAUREL ST, SAN MIGUEL, MANILA (NEAR MALACANANG)
TEL: 743-4088 MOBILE: 0922-7909555 CONTACT PERSON: MS. ANALEN FIADACAN

TRONIX STA. CRUZ #910 LUZON ST. (BET. MASANGKAY & BENAVIDEZ ST.) STA. CRUZ, MANILA
TEL: 807-8345 / 310-3553 MOBILE: 0922-2389971 CONTACT PERSON: MS. SHEILA PIRANTE

TRONIX SAN JUAN #135 N.DOMINGO ST, CORNER PINAGLABANAN, BRGY. BALONG BATO, SAN JUAN CITY
TEL: 949-3608 / 984-6395 MOBILE: 0922-9218653 CONTACT PERSON: MS. MICHELLE CASAÑA

TRONIX ALABANG TOWN CENTER LA-7 SERVICE TOWN, ALABANG TOWN CENTER, MUNTINLUPA CITY
TEL: 807-3546 / 624-6880 MOBILE: 0922-7584917 / 0917-5899059 CONTACT PERSON: MR. FRANCIS ACOSTA

TRONIX PARAÑAQUE #103 CMSR BLDG, PHASE 1, 88 PRESIDENT AVENUE, BF HOME, PARAÑAQUE
TEL: 622-4540 / 861-0092 / 828-2915 MOBILE: 0917-5978342 / 0932-4060806 CONTACT PERSON: MS. ELIZABETH PALIMA

TRONIX MAKATI #103 MJM BLDG, 650 JP RIZAL ST, BRGY. VALENZUELA MAKATI CITY
TEL: 710-1980 / 949-3684 MOBILE: 0932-1999085

TRONIX MARIKINA #572 J.P. RIZAL AVE, CONCEPCION 1, MARIKINA (IN FRONT OF KSERVICO)
TEL: 696-6411 MOBILE: 0942-0940088

TRONIX PASIG LOWER GROUND SERVICE LANE, SM CENTER, PASIG
TEL: 703-5599 / 234-9020 MOBILE: 0932-1999372 CONTACT PERSON: MS. NORA CRESENCIO

TRONIX SHAW - MANDALUYONG #412 SHAW BLVD, COR. TORRES & CALDERON ST, MANDALUYONG CITY
TEL: 542-8360 / 725-7290 MOBILE: 0923-1646350 CONTACT PERSON: MS. SHERLY DELA CRUZ

TRONIX COMMONWEALTH LAGMANLAG COMMONWEALTH AVE, HOLY SPIRIT, DILIMAN, Q.C. (BESIDE SHELL)
TEL: 623-7266 MOBILE: 0933-6584465 / 09175810546 CONTACT PERSON: MR. MANNY SAGAYAP

CAVITE

TRONIX CAVITE KM 16, AGUINALDO HI-WAY, NIOG 1-A, PANAPAAN 1, BACOR, CAVITE
TEL: (046) 519-0755 / (046) 475-6362 MOBILE: 0932-1991811 CONTACT PERSON: MS. MEANN DIONISIO

CEBU

MARKWELL ENTERPRISES #85 SIKATUNA ST, CEBU CITY
TEL: (032) 253-0752 MOBILE: 0917-6256934 CONTACT PERSON: MR. BOY SOUICO

BIO PLUS ELEC. REPAIR CENTER C. PADILLA ST, SAN ROQUE, MAMBALING, CEBU CITY
TEL: (032) 262-1339 MOBILE: 0922-4744991 CONTACT PERSON: MS. ZYSELDA MABUTE

DAVAO

KOOL EXPRESS DOOR 5, LUA BLDG, QUIRINO AVE, DAVAO CITY
TEL: (082) 227-6369 MOBILE: 0908-420-6303 CONTACT PERSON: MS. DORIS ASIRIT

ILOILO

NACES APPLIANCE CORPORATION NACES BLDG, #10 DELGADO ST, ILOILO
TEL: (033) 337-7696 MOBILE: (033) 508-2205 CONTACT PERSON: MS. LORELIE LIM

TARLAC

TARLAC MAC ENTERPRISES INC. BLK. 9, MCARTHUR HIGHWAY, SAN NICOLAS, TARLAC
TEL: (045) 982-3178 MOBILE: 0922-8597136



MICROWAVE OVEN

MODEL # KW-3113

Voltage: 230Va.c. 60 Hz Power: 1200 WATTS

Output: 700 WATTS 2450MHz



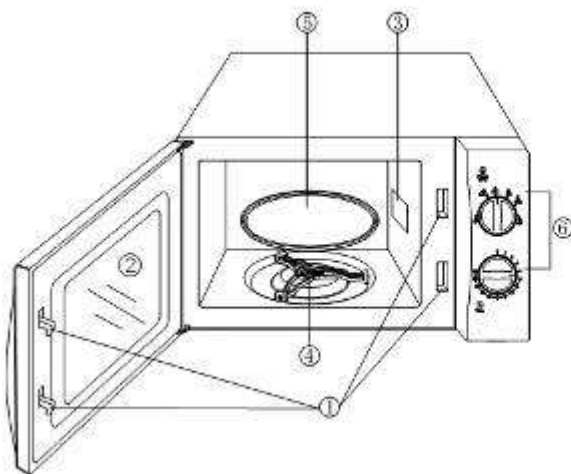
INSTRUCTION MANUAL

CONGRATULATIONS

You are now a proud new owner of a KYOWA Microwave Oven model no. KW-3113.

Before using for the first time, kindly take time to carefully read your instruction manual. Please observe all safety precautions and follow operating procedures. After reading, kindly store your instruction manual in a safe place for your future reference. Should you pass on this Microwave Oven to a third party, please hand over this instruction manual as well.

PARTS DESCRIPTION



1. Door Safety Lock System
2. Oven Window
3. Wave Guide
4. Turntable Roller
5. Glass Tray
6. Control Panel

IMPORTANT SAFEGUARDS

When using your Microwave Oven, basic safety precautions should always be followed:

- Always operate your KYOWA Microwave Oven from a power source of the same voltage and frequency rating as indicated on the rating label.
- Grounding wire must be installed in grounding terminal at home to reduce the risk of electric shock.
- Place the Microwave Oven on a flat surface and far from the edge of counter top.
- Do not operate your Microwave Oven when empty.
- Do not use or replace accessories of the oven other than the ones originally provided.
- Do not operate the Microwave Oven without the glass tray, roller support, and shaft in their proper position.
- The microwave oven is intended to be use free standing, built-in or in a cabinet. Allow 20cm of space above, 10cm at the back and 5cm at both sides of the oven for proper ventilation.
- Do not operate the Microwave Oven if the door seals, supply cord, or any part of it has been damaged. Return the appliance only to the authorized dealer or service facility for repair; it is hazardous for just anyone to carry our repair operation due to possible exposure to microwave energy.
- Avoid heating food or liquid in sealed containers since they are liable to explode inside the oven.
- The microwave oven is intended for heating food and beverages. Do not use the Microwave Oven for frying food. Hot oil may damage vital parts of the oven.
- Drying of food or clothing and heating of warming pads, slippers, sponge, damp cloth and similar may lead to risk of injury, ignition or fire.
- Do not heat eggs with shell or whole hard boiled eggs or yolks inside the microwave since they may explode, even after microwave heating has ended.

- Use only suitable utensils when placing or removing food inside the oven.
- When heating food in plastic or paper containers, keep an eye on the oven due to possibility of ignition; if smoke is observed, switch OFF or unplug the oven and keep the door closed in order to stifle any flames.
- Microwave heating of beverages can result to delayed eruptive boiling; therefore, care must be taken when handling the container.
- The contents of feeding bottles and baby food jars should be stirred or shaken and the temperature checked before consumption in order to avoid burns.
- Never leave the Microwave Oven unattended when in use.
- Avoid touching hot surfaces of the oven during use. Use the handle only.
- Do not operate or place any part of your Microwave Oven on or near any hot surface such as a gas or electric burner, hotplate or heated oven.
- Do not leave food, containers and any other utensils inside the oven when not in use.
- Keep out of reach from children or from persons with mental or physical disabilities when operating the unit.
- To reduce the risk of electric shock, do not immerse or expose oven to rain, moisture or any liquid.
- Switch OFF and unplug the oven from outlet when not in use or before cleaning.
- Hold plug of the oven when unplugging from socket. Do not unplug by pulling the supply cord.
- Make it a habit to clean the microwave oven regularly. Failure to maintain oven in clean condition may affect working performance of the unit and may result to hazardous situation.
- This appliance is not intended for use by persons (including children) with reduced physical, sensory or mental capabilities, lack of experience and knowledge, unless they have been given supervision or instruction concerning use of the appliance by a person responsible for their safety.
- This KYOWA Microwave Oven is intended for normal domestic/household use only. This model is not suitable for commercial use.

CONTROL PANEL



POWER/ACTION SELECTOR

- used for selecting power level of the Microwave Oven.
- select from LOW to HIGH depending on the size and weight of the food you are about to cook.

TIMER KNOB

- used for setting microwave cooking time.
- set timer starting from one minute up to 30-minute cooking time.



MICROWAVE COOKING

- when cooking in microwave, there are six power levels to choose from which may be classified as follows:

	Power Output	Description
1	100%	HIGH
2	85%	M.HIGH
3	66%	MED
4	48%	M.LOW
5	40%	DEFROST
6	17%	LOW

HOW TO USE

- Remove all packaging materials from the Microwave Oven.
- Completely untangle or unwind the power cable of the oven.
- Before initial use, Microwave Oven must be grounded using the provided grounding wire and grounding plug. Oven must be plugged into a wall receptacle that is properly installed and grounded to reduce risk of electric shock by providing an escape wire for the electric current. Consult a qualified service person if you still have questions regarding this.
- Pierce foods with thick skins before putting inside the Microwave Oven.
- Place food inside the Microwave Oven and then close the door of the unit.
- Turn Power Selector to select power level from LOW to HIGH.
- Turn Timer Knob to the required cooking time for your food.
- When setting time less than 2 minutes, turn Timer past 2 minutes and then return to desired time setting.
- Always turn Timer to zero position after the food is removed before the set cooking time.
- When using the Microwave Oven, you may use heat-resistant glasses and ceramics, microwave-safe plastic dishes and containers, and kitchen papers. Never use glasses which are not heat resistant, metal trays, metal racks, aluminum foil and other foil containers inside the oven.
- Use round or oval containers instead of containers with corners. Food heated inside containers with corners tend to get overcooked.
- Narrow strips of foil may be used to prevent exposed areas of food to be overcooked, but make sure you don't use too much of aluminum foil. Keep distance of 1 inch between the foil and the cavity.

CLEAN AND CARE

- Wipe internal and external parts of the Microwave Oven using a soft, damp cloth and a mild detergent.
- Avoid water or any other liquid to seep into the Control Panel.
- Glass Tray and Roller Ring of the oven may be washed in warm, soapy water.
- Wipe dry the unit with a soft and dry cloth.
- Never use abrasive cleaning agents or any metallic and sharp objects (e.g. scrubbing brush or knife) for cleaning.
- Put accessories of the Microwave Oven back to their proper places inside the oven before operating again.
- To remove strong odor from your oven, combine a cup of water with a slice of lemon in a microwavable bowl. Microwave for 5 minutes. Allow oven to cool down then wipe thoroughly with a dry cloth.
- Store oven in a cool and dry place.

SERVICE

- Do not operate your KYOWA Microwave Oven if the oven malfunctions or appears damaged in any manner. Bring the complete product to the place of purchase or to any authorized KYOWA dealers for inspection, repair or replacement.
- Do not disassemble your KYOWA Microwave Oven by yourself. No user serviceable parts inside. Refer all needed repair to an authorized KYOWA service facility ONLY.