

## **KYOWA SERVICE CENTER (MAIN)**

RM. 1203, STATE CENTER BLDG, #333 JUAN LUNA ST, BINONDO MANILA  
TEL: 242-1731 - 35

### **METRO MANILA**

**TRONIX QUEZON CITY (MAIN)** #777 N.S. AMORANTO ST, COR. STO. DOMINGO AVE, Q.C.  
TEL: 743-9094 / 749-8477 MOBILE: 0922-8534797/0917-5231489 CONTACT PERSON: MS. JENIELYN MANZANO

**TRONIX MANILA** #1793 CONCEPCION AGUILA ST, NEAR J.P. LAUREL ST, SAN MIGUEL, MANILA (NEAR MALACAÑANG)  
TEL: 743-4088 MOBILE: 0922-7909555 CONTACT PERSON: MS. ANALEN FIADACAN

**TRONIX STA. CRUZ** #910 LUZON ST. (BET. MASANGKAY & BENAVIDEZ ST.) STA. CRUZ, MANILA  
TEL: 542-8345 / 310-3553 MOBILE: 0922-2389971 CONTACT PERSON: MS. SHEILA PIRANTE

**TRONIX SAN JUAN** #135 N.DOMINGO ST, CORNER PINAGLABANAN, BRGY. BALONG BATO, SAN JUAN CITY  
TEL: 949-3608 / 984-6395 MOBILE: 0922-9218653 CONTACT PERSON: MS. MICHELLE CASAÑA

**TRONIX ALABANG TOWN CENTER** LA-7 SERVICE TOWN, ALABANG TOWN CENTER, MUNTINLUPA CITY  
TEL: 807-3546 / 624-6880 MOBILE: 0922-7584917 / 0917-5899059 CONTACT PERSON: MR. FRANCIS ACOSTA

**TRONIX PARAÑAQUE** #103 CMSR BLDG, PHASE 1, 88 PRESIDENT AVENUE, BF HOME, PARAÑAQUE  
TEL: 622-4540 / 861-0092 / 828-2915 MOBILE: 0917-5978342 / 0932-4060806 CONTACT PERSON: MS. ELIZABETH PALIMA

**TRONIX MAKATI** #103 MJM BLDG, 650 JP RIZAL ST, BRGY. VALENZUELA MAKATI CITY  
TEL: 710-1980 / 949-3684 MOBILE: 0932-1999085

**TRONIX MARIKINA** #572 J.P. RIZAL AVE, CONCEPCION 1, MARIKINA (IN FRONT OF KSERVICO)  
TEL: 696-6411 MOBILE: 0942-0940088

**TRONIX PASIG** LOWER GROUND SERVICE LANE, SM CENTER, PASIG  
TEL: 703-5599 / 234-9020 MOBILE: 0932-1999372 CONTACT PERSON: MS. NORA CRESENCIO

**TRONIX SHAW - MANDALUYONG** #412 SHAW BLVD, COR. TORRES & CALDERON ST, MANDALUYONG CITY  
TEL: 542-8360 / 725-7290 MOBILE: 0923-1646350 CONTACT PERSON: MS. SHERLY DELA CRUZ

**TRONIX COMMONWEALTH** LAGMANLAG COMMONWEALTH AVE, HOLY SPIRIT, DILIMAN, Q.C. (BESIDE SHELL)  
TEL: 623-7266 MOBILE: 0933-6584465 / 09175810546 CONTACT PERSON: MR. MANNY SAGAYAP

### **CAVITE**

**TRONIX CAVITE** KM 16, AGUINALDO HI-WAY, NIOG 1-A, PANAPAAN 1, BACOR, CAVITE  
TEL: (046) 519-0755 / (046) 475-6362 MOBILE: 0932-1991811 CONTACT PERSON: MS. MEANN DIONISIO

### **CEBU**

**MARKWELL ENTERPRISES** #85 SIKATUNA ST, CEBU CITY  
TEL: (032) 253-0752 MOBILE: 0917-6256934 CONTACT PERSON: MR. BOY SOUICO

**BIO PLUS ELEC. REPAIR CENTER** C. PADILLA ST, SAN ROQUE, MAMBALING, CEBU CITY  
TEL: (032) 262-1339 MOBILE: 0922-4744991 CONTACT PERSON: MS. ZYSELDA MABUTE

### **DAVAO**

**KOOL EXPRESS** DOOR 5, LUA BLDG, QUIRINO AVE, DAVAO CITY  
TEL: (082) 227-6369 MOBILE: 0908-420-6303 CONTACT PERSON: MS. DORIS ASIRIT

### **ILOILO**

**NACES APPLIANCE CORPORATION** NACES BLDG, #10 DELGADO ST, ILOILO  
TEL: (033) 337-7696 MOBILE: (033) 508-2205 CONTACT PERSON: MS. LORELIE LIM

### **TARLAC**

**TARLAC MAC ENTERPRISES INC.** BLK. 9, MCARTHUR HIGHWAY, SAN NICOLAS, TARLAC  
TEL: (045) 982-3178 MOBILE: 0922-8597136



# **GAS RICE COOKER**

**MODEL NO.: KW-2080**



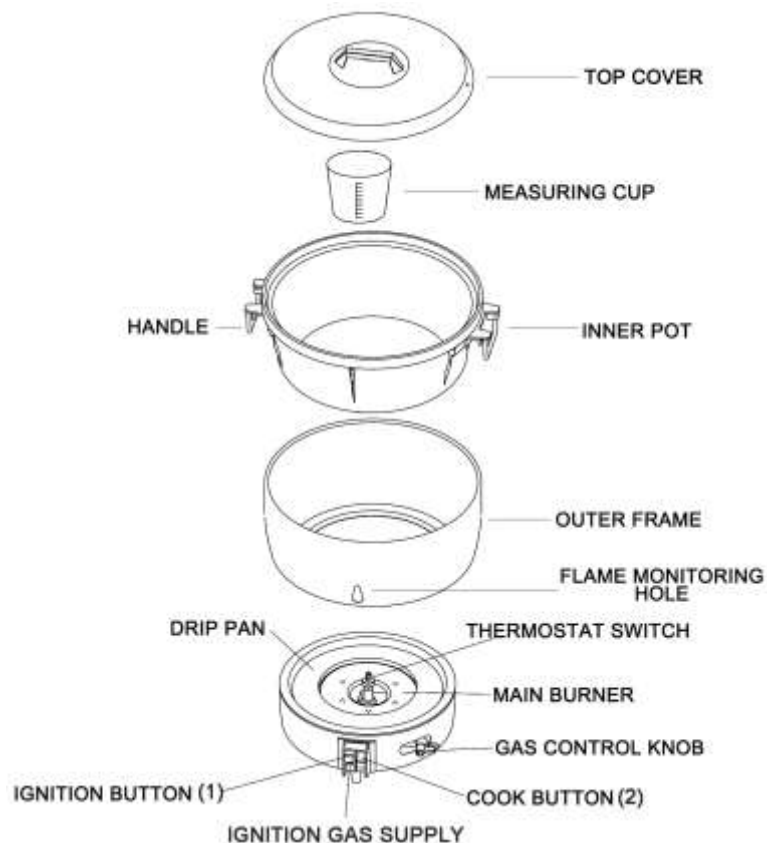
# **INSTRUCTION MANUAL**

## CONGRATULATIONS

You are now a proud new owner of a KYOWA Gas Rice Cooker model no. KW-2080.

Before using for the first time, kindly take time to carefully read your instruction manual. Please observe all safety precautions and follow operating procedures. After reading, kindly store your instruction manual in a safe place for your future reference. Should you pass on this Gas Rice Cooker to a third party, please hand over this instruction manual as well.

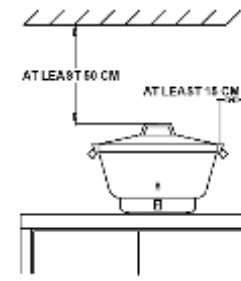
## PARTS DESCRIPTION



## IMPORTANT SAFEGUARDS

When using your Gas Rice Cooker, basic safety precautions should always be followed:

- Place the Gas Rice Cooker on a flat surface and far from the edge of counter top.
- Keep at least 15 cm of space between the Gas Rice Cooker and the wall and 50 cm from ceiling for proper ventilation.



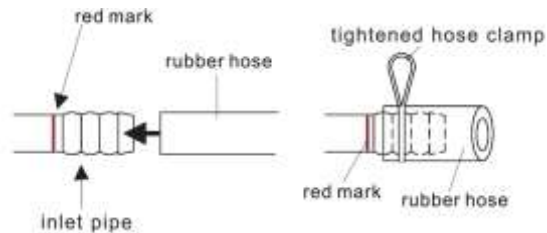
- Do not operate the Gas Rice Cooker if any part of it has been damaged. Return the appliance to the nearest authorized dealer or service facility for repair.
- Do not operate or place any part of your Gas Rice Cooker on or near any hot surfaces such as an electric burner, hotplate or heated oven.
- Do not use or replace accessories of the Gas Rice Cooker other than the ones originally provided.
- Use liquefied petroleum gas (LPG) only from reputable and authorized dealers.
- Always use good quality standard size gas hose.
- Use a regulator with auto safety feature and with pressure gauge.
- Do not place gas hose at the bottom of the cooker.
- Never put your face near the flame monitoring hole when pressing down ignition button, cook button, to avoid untoward incidents.
- Do not operate Gas Rice Cooker if the inner pot is empty.
- Avoid touching hot surfaces of the cooker during use. Use the handle only.
- Never leave the Gas Rice Cooker unattended when turned ON. Always switch unit to OFF when not in use or before cleaning.
- Use caution when removing pot from the Gas Rice Cooker after operation.
- Always make sure that the burners are free from any blockage. Use steel wire to clean out clogged holes of the burner.

- Do not immerse or expose the Gas Rice Cooker control panel to rain, moisture or any liquid.
- Keep out of reach from children or from persons with mental or physical disabilities.
- This appliance is not intended for use by persons (including children) with reduced physical, sensory or mental capabilities, lack of experience and knowledge, unless they have been given supervision or instruction concerning use of the appliance by a person responsible for their safety.
- Children should be supervised to ensure that they do not play with the appliance.

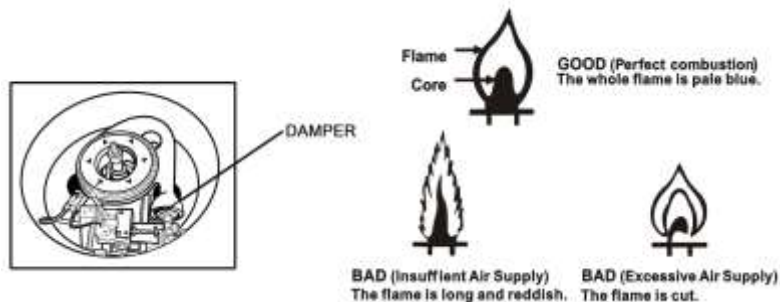
## HOW TO USE

### GAS RICE COOKER SETUP INSTRUCTIONS

- Remove all packaging materials from the Gas Rice Cooker.
- Push gas hose up to the red marking on the inlet pipe.
- Fasten hose into the inlet pipe by tightening hose clamp.

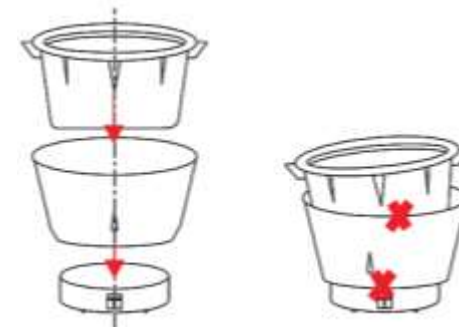


- Open the main gas valve.
- Turn Gas Rice Cooker to ON. (see Gas Rice Cooker Usage Instructions)
- After the burner has been lighted, adjust the damper clockwise or counter-clockwise until slightly rounded blue flames are obtained.



### GAS RICE COOKER USAGE INSTRUCTIONS

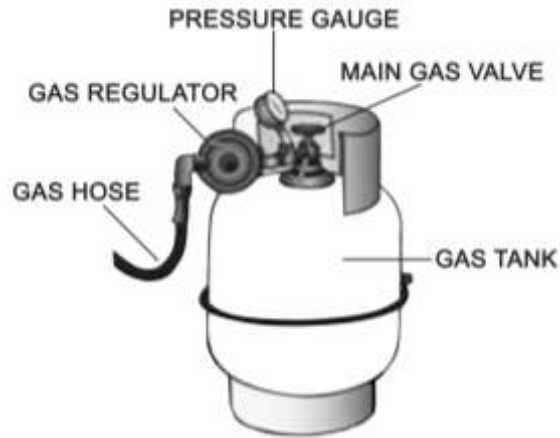
- Wash rice grains in a separate container.
- Transfer rice into the inner pot. Always fill in pot with enough rice and water reaching the MIN mark but not exceeding the MAX marking.
- Put enough water into the pot to cover rice. Pour one cup of water for every cup of rice – this however depends on the type of rice used and as well as to personal preference when cooking.
- Check that the flame monitoring hole of the outer frame is directly above the main control panel of the unit.
- Fit inner pot inside the outer frame of the Gas Rice Cooker. See to it that the base of the inner pot is **dry and clean**. Put top cover into the inner pot.



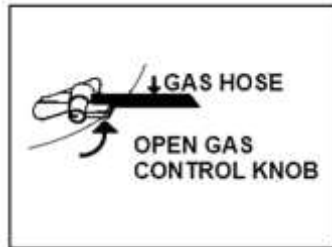
- Check that the ignition (1), ignition gas supply, and cook (2) buttons are in OFF (up) position.



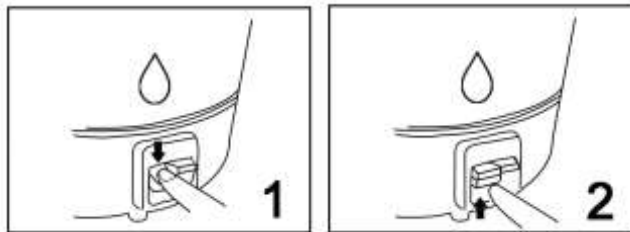
- Open the main gas valve.



- Rotate gas control knob counter-clockwise to 3 o'clock position (OPEN).



- Press down ignition button until it clicks (FIG 1). Check through the flame monitoring hole for a low flame in the burner. Pull up ignition button supply then press down ignition button again if the pilot failed to ignite (FIG 2).



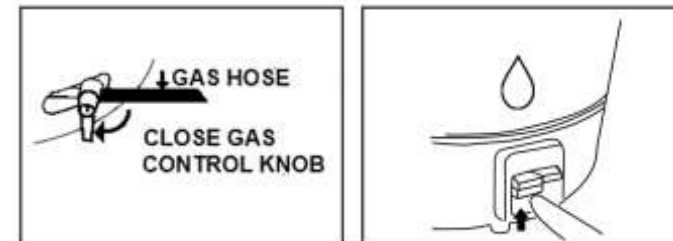
- Press down cook button to light main burner of the Gas Rice Cooker.



- Cook button shall automatically return to OFF position once rice has been cooked. Flame in the main burner will be extinguished at this point; low flame shall still be ON.



- Turn off Gas Rice Cooker completely by rotating gas control knob clockwise to 6 o'clock position (OFF) then pull up ignition gas supply to OFF position.



- Allow rice to sit for about 15 minutes before serving.

## **CLEAN AND CARE**

- Allow Gas Rice Cooker to cool down completely before cleaning.
- Wash inner pot, cover, and drip tray with warm water and a mild dishwashing soap.
- To remove rice residue in the pot, soak it with warm soapy water overnight then rinse.
- Do not use harsh cleaning agents or abrasive objects (e.g. scrubbing pads or metal brushes) for cleaning.
- Clean outer surfaces of the Gas Rice Cooker with a soft and damp cloth.
- Wipe dry Gas Rice Cooker with a soft and dry cloth then store in a clean and dry place.
- Put back parts and accessories of the Gas Rice Cooker to their proper places before operating again.

## **SERVICE**

- Do not operate your KYOWA Gas Rice Cooker if the Gas Rice Cooker malfunctions or appears damaged in any manner. Bring the complete product to the place of purchase or to any authorized KYOWA dealers for inspection, repair or replacement.
- Do not disassemble your KYOWA Gas Rice Cooker by yourself. No user serviceable parts inside. Refer all needed repair to an authorized KYOWA service facility ONLY.