

KYOWA SERVICE CENTER

Rm. 1203 State Center Building
#333 Juan Luna St., Binondo
Manila, Philippines



**HOT AND COLD
WATER DISPENSER**

MODEL # KW-1518

Voltage: 230V a.c. 60Hz Power: 550 W (Hot) – 85 W (Cold)

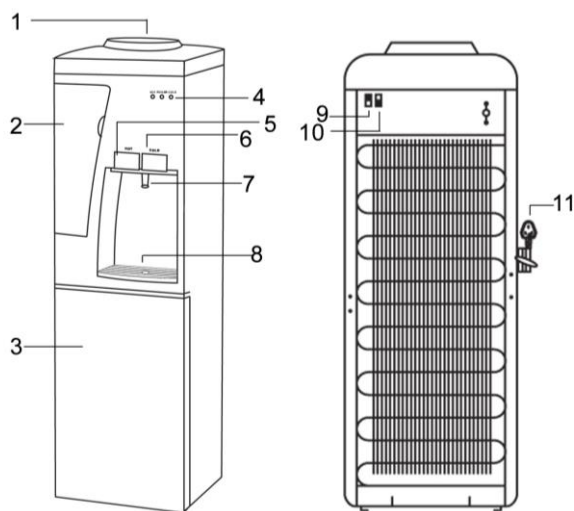
INSTRUCTION MANUAL

CONGRATULATIONS

You are now a proud new owner of a KYOWA Water Dispenser model no. KW-1518.

Before using for the first time, kindly take time to carefully read your instruction manual. Please observe all safety precautions and follow operating procedures. After reading, kindly store your instruction manual in a safe place for your future reference. Should you pass on this Water Dispenser to a third party, please hand over this instruction manual as well.

PARTS DESCRIPTION



- 1. BOTTLE SUPPORTER
- 2. CUP HOLDER
- 3. BOTTOM CABINET
- 4. INDICATOR LIGHTS
- 5. HOT WATER BUTTON
- 6. COLD WATER BUTTON

- 7. SPOUT
- 8. WATER COLLECTOR
- 9. COLD WATER SWITCH
- 10. HOT WATER SWITCH
- 11. POWER PLUG

IMPORTANT SAFEGUARDS

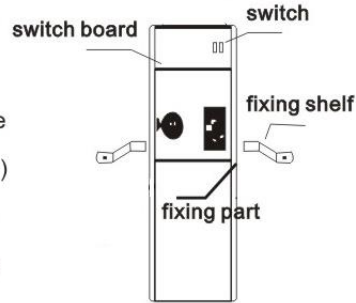
When using the Water Dispenser, basic safety precautions should always be followed:

- Always operate your KYOWA Water Dispenser from a power source of the same voltage and frequency rating as indicated on the rating label.
- Grounding wire must be installed in grounding terminal at home to reduce the risk of electric shock.
- Connect the Water Dispenser unit only to properly wired wall outlets.
- Always keep the Water Dispenser upright – never tilt or turn the unit upside-down. In case the unit was tilted during transportation, put up the Water Dispenser for 48 hours before plugging into the power supply.
- Do not use Water Dispenser in damp or wet area. Keep dry the motor and the base of the unit.
- Do not operate or place any part of your KYOWA Water Dispenser on or near any hot surface such as a gas or electric burner, hotplate or heated oven.
- Place the Water Dispenser on a flat area surface. Never turn the unit upside down.
- Keep at least 20 cm. of space between the wall and the Water Dispenser.
- This unit is most suitable for 5-gallon bottle of water.
- Do not plug in Water Dispenser or set the Heating switch to ON until the water runs out from the hot water tap.
- Do not operate the Water Dispenser if any part of it has been damaged. Return the appliance to the nearest authorized dealer or service facility for repair.
- Do not use or replace accessories other than the ones originally provided.
- Hold plug when unplugging from socket. Do not unplug by pulling the supply cord.
- To reduce the risk of electric shock, do not immerse or expose the Water Dispenser to rain, moisture or any liquid.
- If this unit is not intended to be used for a long time, turn power switch of Water Dispenser to OFF, unplug socket from the power supply and drain out remaining water from the Water Dispenser unit.
- Keep out of reach from children or from persons with mental or physical disabilities.
- This KYOWA Water Dispenser is intended for normal domestic/household use only. This unit is not suitable for commercial use.

HOW TO USE

WATER DISPENSER WALL INSTALLATION

1. Before turning the machine on, the machine must be fixed in place, either to the wall, or some other stable object.
2. Drill a hole (60 x 30mm) on the wall or other stable object. Insert the small pipe and screw (4 x 36mm) into the hole. Turn the screw until it is firmly set in place. Fit the unit to the screw making sure the unit is in a straight horizontal position.



WATER DISPENSING FUNCTION

- Remove all packaging materials from the Water Dispenser. Completely untangle or unwind the power cable of the unit.
- Before initial use, the Water Dispenser must be plugged into a wall receptacle that is properly installed and grounded to reduce risk of electric shock.
- Slide safety lock to the right to start dispensing water, slide switch to the left to lock again.
- Allow about 1 liter of water to run out from the dispenser when using for the first time.
- Tear the label or any sealing material on the cover of the bottle.
- Vertically insert the bottle supporter on top of the machine. Do not plug in cord or turn the unit ON until water runs out from the hot water tap.
- To turn ON heating and/or cooling function, press HEATING and/or COOLING switch at the back portion of the Water Dispenser. Allow Water Dispenser to heat up or cool down water for a couple of minutes, then press leftmost water dispense button for hot water, and rightmost water dispense button for cold water.
- Cooling of water from the Water Dispenser normally takes about 3 minutes after the unit has been turned ON and the cooling switch has been activated.

TROUBLE SHOOTING

PROBLEM	POSSIBLE CAUSE	SOLUTION
Water coming out from the hot and cold dispenser is lukewarm	1. Water from the hot and cold container has already been consumed 2. No power supply	1. Wait for about three minutes to allow cooling or heating of water from the unit 2. Check if the power cord is properly plugged into the power supply
No water coming out from the dispenser	1. The water bottle is empty 2. Inlet of bottle supporter is blocked	1. Replace with another bottle of water. 2. Remove object that was blocking the water flow
Water leaks coming out from the bottle supporter	The water bottle is broken	Replace with a new bottle of water
Too much noise when dispensing water from the unit	Water Dispenser is tilted or not installed properly	Place unit upon a flat area and stable surface

CLEAN AND CARE

- Wash Bottle Supporter and Water Tank regularly to maintain optimum performance of the Water Dispenser.
- Do not use harsh cleaning agents or abrasive objects (e.g. scrubbing pads or metal brushes) for cleaning.
- Put back parts and accessories of the Water Dispenser to their proper places before operating again.
- Wipe dry all parts of the Water Dispenser using a soft and dry cloth.

SERVICE

- Do not operate your KYOWA Water Dispenser if the unit malfunctions or appears damaged in any manner. Bring the complete product to the place of purchase or to any authorized KYOWA dealers for inspection, repair or replacement.
- Do not disassemble your KYOWA Water Dispenser by yourself. No user serviceable parts inside. Refer all needed repair to an authorized KYOWA service facility ONLY.