

KYOWA SERVICE CENTER

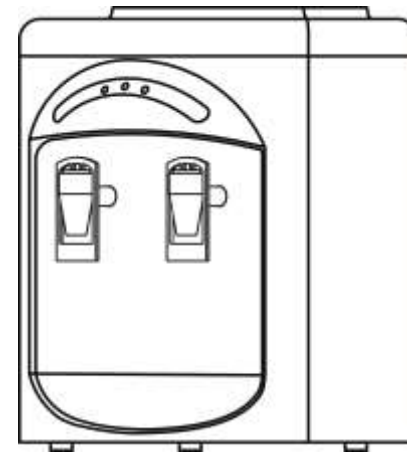
Rm. 1203 State Center Building
#333 Juan Luna St., Binondo
Manila, Philippines



HOT AND NORMAL WATER DISPENSER

MODEL NO: KW-1503

Voltage: 230V a.c. 60Hz Power: 500 WATTS



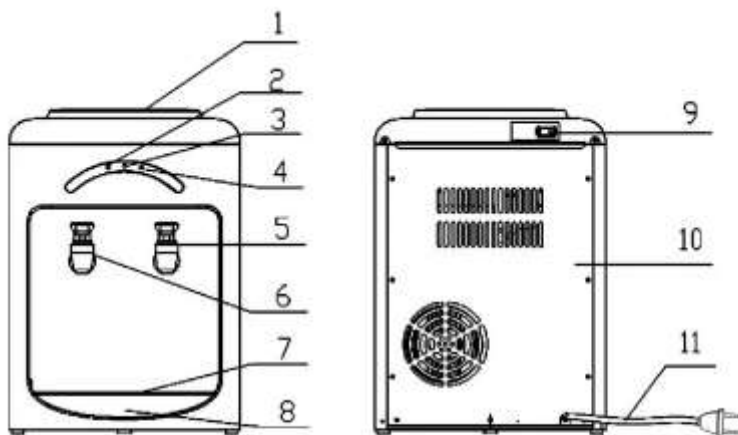
INSTRUCTION MANUAL

CONGRATULATIONS

You are now a proud new owner of a KYOWA Water Dispenser model no. KW-1503.

Before using for the first time, kindly take time to carefully read your instruction manual. Please observe all safety precautions and follow operating procedures. After reading, kindly store your instruction manual in a safe place for your future reference. Should you pass on this Water Dispenser to a third party, please hand over this instruction manual as well.

PARTS DESCRIPTION



- | | |
|------------------------------------|-----------------------|
| 1. BOTTLE SUPPORTER | 7. DRIP TRAY COVER |
| 2. HEATING INDICATOR LIGHT (RED) | 8. DRIP TRAY BODY |
| 3. POWER INDICATOR LIGHT (YELLOW) | 9. POWER SWITCH |
| 4. COOLING INDICATOR LIGHT (GREEN) | 10. BACK PANEL |
| 5. COLD WATER FAUCET (BLUE) | 11. POWER CORD & PLUG |
| 6. HOT WATER FAUCET (RED) | |

IMPORTANT SAFEGUARDS

When using the Water Dispenser, basic safety precautions should always be followed:

- Always operate your KYOWA Water Dispenser from a power source of the same voltage and frequency rating as indicated on the rating label.
- Connect the Water Dispenser unit only to properly wired wall outlets.
- Do not use Water Dispenser in damp or wet area. Keep dry the motor and the base of the unit.
- Do not operate or place any part of your KYOWA Water Dispenser on or near any hot surface such as a gas or electric burner, hotplate or heated oven.
- Place the Water Dispenser on a flat area surface. Never turn the unit upside down.
- Keep at least 15 cm. of space between the wall and the Water Dispenser for proper ventilation.
- This unit is most suitable for 3 to 5-gallon bottle of water.
- Do not plug in Water Dispenser or put the Heating switch to ON until the water runs out from the hot water tap.
- Do not operate the Water Dispenser if any part of it has been damaged. Return the appliance to the nearest authorized dealer or service facility for repair.
- Do not use or replace accessories other than the ones originally provided.
- Hold plug when unplugging from socket. Do not unplug by pulling the supply cord.
- To reduce the risk of electric shock, do not immerse or expose the Water Dispenser to rain, moisture or any liquid.
- If this unit is not intended to be used for a long time, turn Water Dispenser to OFF, unplug socket from the power supply and drain remaining water in the container.
- Keep out of reach from children or from persons with mental or physical disabilities.
- This KYOWA Water Dispenser is intended for normal domestic/household use only. This unit is not suitable for commercial use.

HOW TO USE

- Remove all packaging materials from the Water Dispenser. Completely untangle or unwind the power cable of the unit.
- Before initial use, the Water Dispenser must be plugged into a wall receptacle that is properly installed and grounded to reduce risk of electric shock.
- Tear the label or any sealing material on the cover of the bottle.
- Vertically insert the bottle supporter on top of the machine. Do not plug in cord or turn the unit ON until water runs out from the hot water tap.
- Allow about 1 liter of water to run out from the dispenser when using for the first time.

TROUBLE SHOOTING

PROBLEM	POSSIBLE CAUSE	SOLUTION
Water coming out from the hot dispenser is lukewarm.	1. Water from the hot container has already been consumed. 2. . No power supply.	1. Wait for about three minutes to allow heating of water from the unit. 2. Check if the power cord is properly plugged into the power supply.
No water coming out from the dispenser	1. The water bottle is empty. 2. Inlet of bottle supporter is blocked.	1. Replace with another bottle of water. 2. Remove object that was blocking the water flow.
Water leaks coming out from the bottle supporter	The water bottle is broken.	Replace with a new bottle of water.
Too much noise when dispensing water from the unit	Water Dispenser is tilted or not installed properly.	Place unit upon a flat area and stable surface.

CLEAN AND CARE

- Wash Bottle Supporter and Water Tank regularly to maintain optimum performance of the Water Dispenser.
- Do not use harsh cleaning agents or abrasive objects (e.g. scrubbing pads or metal brushes) for cleaning.
- Put back parts and accessories of the Water Dispenser to their proper places before operating again.
- Wipe dry all parts of the Water Dispenser using a soft and dry cloth.

SERVICE

- Do not operate your KYOWA Water Dispenser if the unit malfunctions or appears damaged in any manner. Bring the complete product to the place of purchase or to any authorized KYOWA dealers for inspection, repair or replacement.
- Do not disassemble your KYOWA Water Dispenser by yourself. No user serviceable parts inside. Refer all needed repair to an authorized KYOWA service facility ONLY.