

## **KYOWA SERVICE CENTER**

Rm. 1203 State Center Building  
#333 Juan Luna St., Binondo  
Manila, Philippines



## **COFEE MAKER**

**MODEL # KW-1211**

Voltage: 220V a.c 60Hz    Power: 910 WATTS



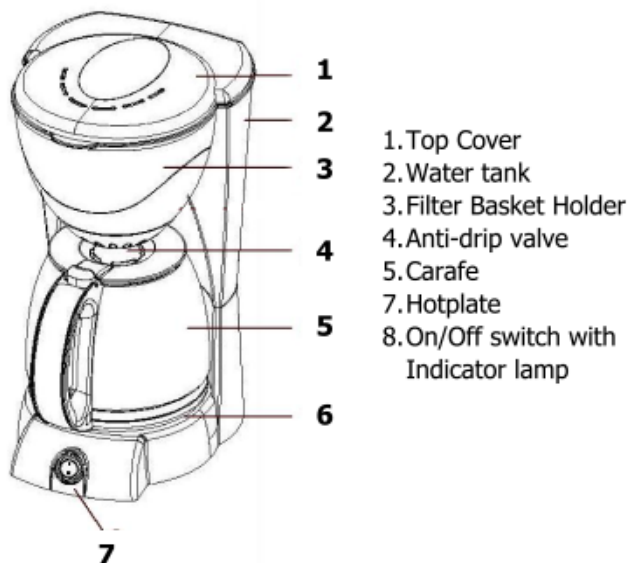
**INSTRUCTION MANUAL**

## CONGRATULATIONS

You are now a proud new owner of a KYOWA Coffee Maker model no. KW-1211.

Before using for the first time, kindly take time to carefully read your instruction manual. Please observe all safety precautions and follow operating procedures. After reading, kindly store your instruction manual in a safe place for your future reference. If you pass this Coffee Maker to a third party, this instruction manual must also be handed over.

## PARTS DESCRIPTION



## IMPORTANT SAFEGUARDS

- Always operate your KYOWA Coffee Maker from a power source of the same voltage and frequency rating as indicated on the rating label.
- Place the Coffee Maker on a flat surface and far from the edge of counter top.
- Do not operate the Coffee Maker if any part of it has been damaged. Return the appliance to the nearest authorized dealer or service facility for repair.
- Do not use or replace accessories other than the ones originally provided.
- Never leave the Coffee Maker unattended when in use.
- Avoid touching hot surfaces of the Coffee Maker during use. Use the cover or handle only.
- Never use your Coffee Maker without filling in water first.
- Be careful to avoid steam coming out from the Coffee Maker.
- Do not operate or place any part of your Coffee Maker on or near any hot surface such as gas or electric burner, hotplate or heated oven.
- Never put carafe inside microwave oven to heat up the coffee.
- Keep out of reach from children or from persons with mental or physical disabilities when operating the unit.
- Never leave empty carafe into the hot plate while Coffee Maker is in operation.
- Switch OFF and unplug the Coffee Maker from outlet before filling, emptying, when not in use or before cleaning.
- Allow Coffee Maker to cool down first before cleaning or replacing new ground coffee.
- To reduce the risk of electric shock, do not immerse or expose the Coffee Maker to rain, moisture or any liquid.
- Hold plug when unplugging from socket. Do not unplug by pulling the supply cord.
- This KYOWA Coffee Maker is intended for normal domestic/household use only. This model is not suitable for commercial use.

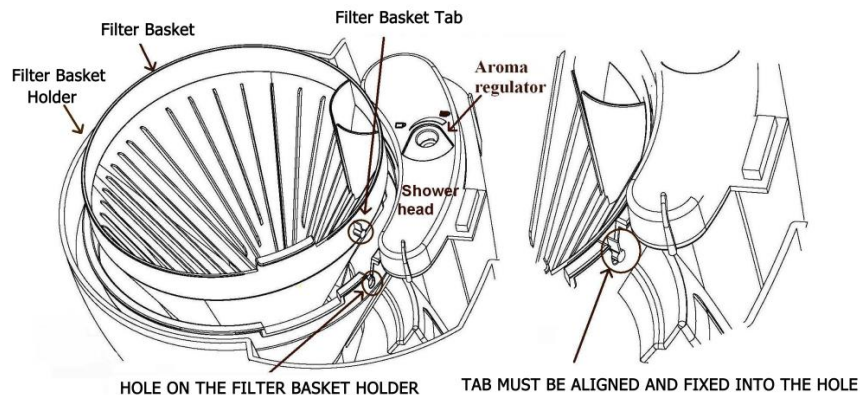
## HOW TO USE



### USING THE COFFEE MAKER FOR THE FIRST TIME

- Remove all packaging materials from the Coffee Maker. Completely unwind the power cable of the Coffee Maker.
- For initial use, operate the Coffee Maker with water only.
- Tip up the top cover of the Coffee Maker. Fill the Carafe with cold water, pour water from the carafe into the Water Tank, and then tip down the cover to close.
- Place the Carafe in proper position under Filter Basket Holder.
- Insert the plug into the socket.
- Start the brewing process by pressing the ON/OFF switch.
- Discard water.

### HOW TO MAKE COFFEE

- Tip up the top cover of the Coffee Maker. Fill Water Tank with at least 2 cups of cold water. The water level must not exceed the MAX level mark inside the Water Tank.
- Put desired amount of ground coffee into the Permanent Filter or Paper Filter.
- Align Filter Basket Tab into the hole on the Filter Basket Holder as shown in the illustration below.



- Turn Shower Head clockwise until its tip aligns into the center of the filter.
- To obtain mild coffee flavor, point Aroma regulator in this button: 
- To obtain strong coffee flavor, point Aroma regulator in this button: 
- Place the Carafe on the Hotplate. Connect the Coffee Maker to the power outlet and press the switch. The On/Off Switch Indicator Light will indicate that the Coffee Maker is ON.
- The unit will operate until the water tank is empty, the Coffee Maker will then switch to keep warm function.
- After the brewing process, take out Carafe and pour out coffee into cups.
- Turn OFF Coffee Maker if Carafe is empty or if there is no need to warm the coffee anymore.

### TIPS (For Great Tasting Coffee)

- Take time to select the right coffee beans and choose the blend that suits your taste. Great coffee begins with good quality coffee beans.
- Keep your coffee beans in a vacuum sealed container and store in a cool dry place to prolong freshness.
- Use filtered cold water for brewing coffee.
- Do not let your coffee sit for more than 30 minutes before consuming as it may become stale and lose its aroma. The best time to drink your coffee is immediately after brewing.

## TROUBLESHOOTING

PROBLEM	POSSIBLE SOLUTION
The appliance does not work.	Make sure the voltage indicated on the appliance corresponds to the power supply voltage.
	Make sure the unit has been plugged in & switched ON.
Water leaks out of the appliance.	Check if the water tank is filled beyond the MAX level.
The appliance produces a lot of noise and steam during brewing.	Make sure the water tank is not filled with hot water.
	Appliance needs to be descaled (see CLEAN AND CARE).
Coffee grounds enter the carafe.	Check if the filter holder has overflowed because there is too much ground coffee in the filter, or the jug has not been placed correctly under the filter holder.
	Check if the filter is torn or you used the wrong size of paper filter.
Brewing coffee takes longer than usual.	Appliance needs to be descaled (see CLEAN AND CARE).
Coffee maker switches off before water tank is empty.	Appliance needs to be descaled (see CLEAN AND CARE).
The coffee does not taste good.	Check if you leave carafe with coffee on the hotplate too long, especially if it only contains only a small amount of coffee.
The coffee is not hot enough.	Check if the brewed coffee is too little. The coffee will warm longer if you brew more.
	Make sure you place the glass jug properly on the hotplate.
The carafe is difficult to place or remove from the unit.	Make sure the cover of the carafe & filter holder are in right position.
	Tilt the carafe a bit to place or remove it. Be careful not to spill the hot coffee for avoid getting scald.
There is less coffee in the jug than expected.	Check if you have not place the carafe properly on the hotplate preventing the coffee to pass through the valve.
	Appliance needs to be descaled (see CLEAN AND CARE).

## CLEAN AND CARE

- Wash movable parts of the Coffee maker with soapy water. Wipe clean the outside surface with a soft, damp cloth.
- Never use abrasive cleaning agents or any metallic and sharp objects (e.g. scrubbing brush or knife) for cleaning.
- Remove lime scaling when you observe an excess of steam or if the coffee preparation time takes too long. If the water in your area is alkaline rich, it is highly recommended to remove lime scaling every two months. To do so:
  - Place the empty Carafe on the Hotplate. Dilute two cups of vinegar in six cups of water and fill the reservoir with the mixture.
  - Switch ON the Coffee Maker for a minute. Then switch OFF and leave for half an hour.
  - Discard the water and vinegar mixture, and then clean the Carafe. To eliminate vinegar residues, operate the Coffee Maker with water for two cycles.

## SERVICE

- Do not operate your KYOWA Coffee Maker if the unit malfunctions or appears damaged in any manner. Bring the complete product to the place of purchase or to any authorized KYOWA dealers for inspection, repair or replacement.
- Do not disassemble your KYOWA Coffee Maker by yourself. No user serviceable parts inside. Refer all needed repair to an authorized KYOWA service facility ONLY.