

左上摆臂  
Upper left swing arm



1 X1

右上摆臂  
Upper right swing arm



2 X1

下摆臂  
Lower arm



3 X2

上摆臂不锈钢片  
Upper swing arm stainless steel sheet



4 X2

下摆臂不锈钢片  
Bottom arm stainless steel sheet



5 X2

球头  
Ball head



6 X6

上摆臂球头扣

Upper swing arm ball head buckle



7 X2

尼龙球头扣

Nylon ball head buckle



8 X2

左转向杯

Left steering cup



9 X1

右转向杯

Right steering cup



10 X1

金属六角轴

Metal hexagonal shaft



11 X2

大轴承

Big Bearing



12 X4

下摆臂铁轴

Lower swing arm iron shaft



13 X2

拉杆铁轴

Tie rod iron shaft



15 X2

杯士

Spacer



17 X2

螺丝刀

bolt driver



X1

上摆臂铁轴

Upper swing arm iron shaft



14 X2

转向铁轴

Steering iron shaft



16 X2

螺丝胶

Loctite



X1

1. 4X4

2. 3X6



X8



X2

1



8



原车自带配件



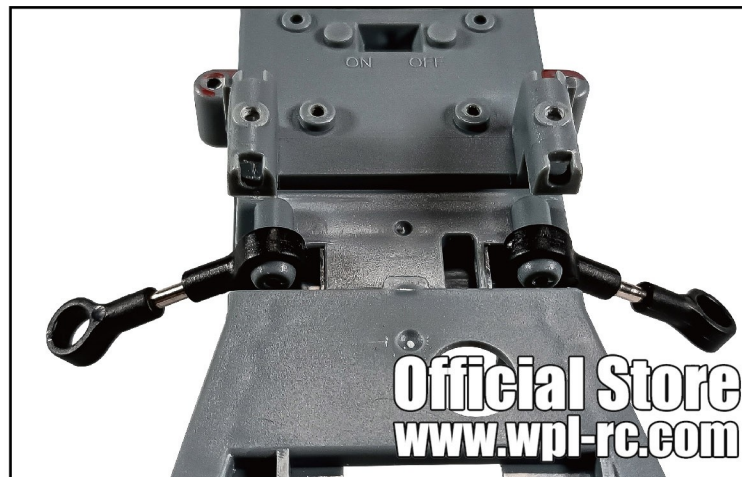
转向铁轴

16

Steering Link Rod

1:1实物参照图

1:1 scale reference



Official Store  
www.wpl-rc.com



1.4x4  
白色螺丝  
White screws  
1:1实物参照图  
1:1 scale reference

转向铁轴  
Steering Link Rod  
15  
1:1实物参照图  
1:1 scale reference

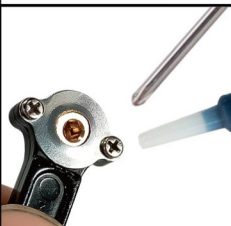


4  
上摆臂不锈钢片  
Upper swing arm  
stainless steel  
sheet

6  
球头  
Ball head

7  
上摆臂球头扣  
Upper swing arm  
ball head buckle

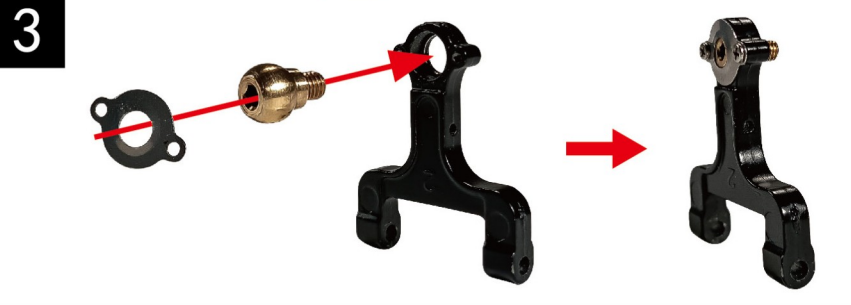
适当调节1.4x4的松紧度  
Adjust the tightness of 1.4x4  
appropriately



如图：拧螺丝时可以  
滴上少量的螺丝胶。  
As shown in the figure:  
when you screw the screw  
Add a small amount of  
screw glue.

注意左右摆臂位置

2  
右上摆臂  
Upper right  
swing arm



6  
球头  
Ball head

5  
下摆臂不锈钢片  
Stainless steel  
hem arm

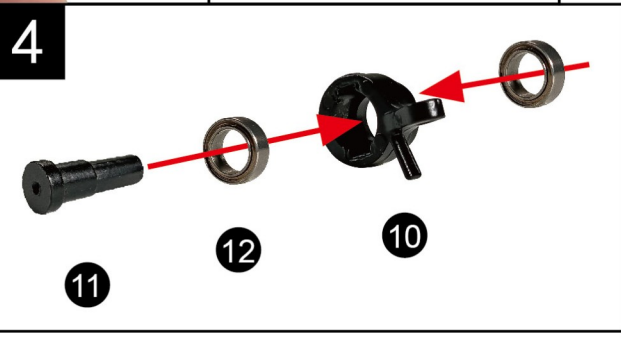


如图：拧紧螺丝后可以  
滴上少量的螺丝胶。  
As shown in the figure:  
after tightening the  
screws, you can Add a  
small amount of screw glue.

1.4x4  
白色螺丝  
White screws  
1:1实物参照图  
1:1 scale reference

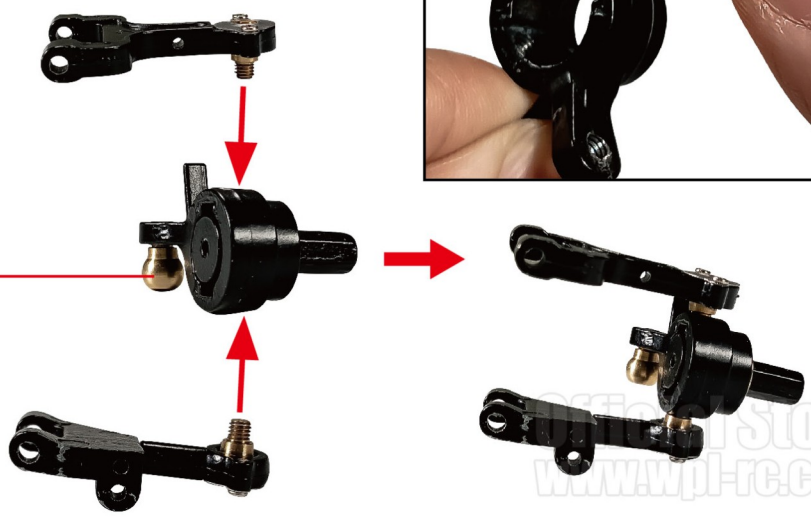


3  
下摆臂  
Lower swing arm



6  
球头  
Ball head

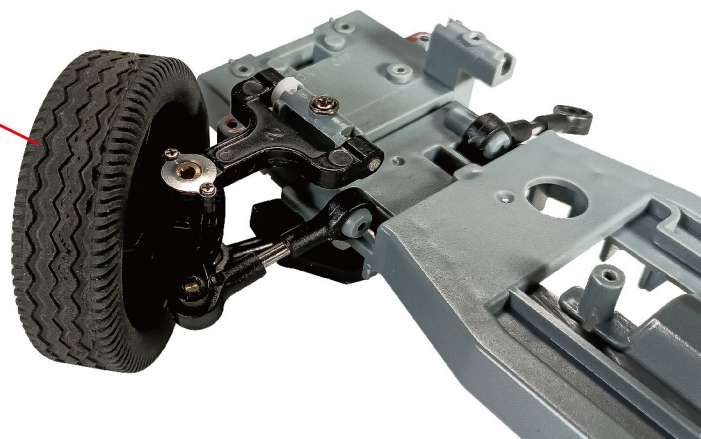
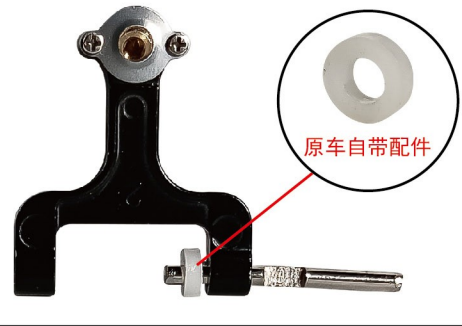
1.4x4  
白色螺丝  
White screws  
1:1实物参照图  
1:1 scale reference



5

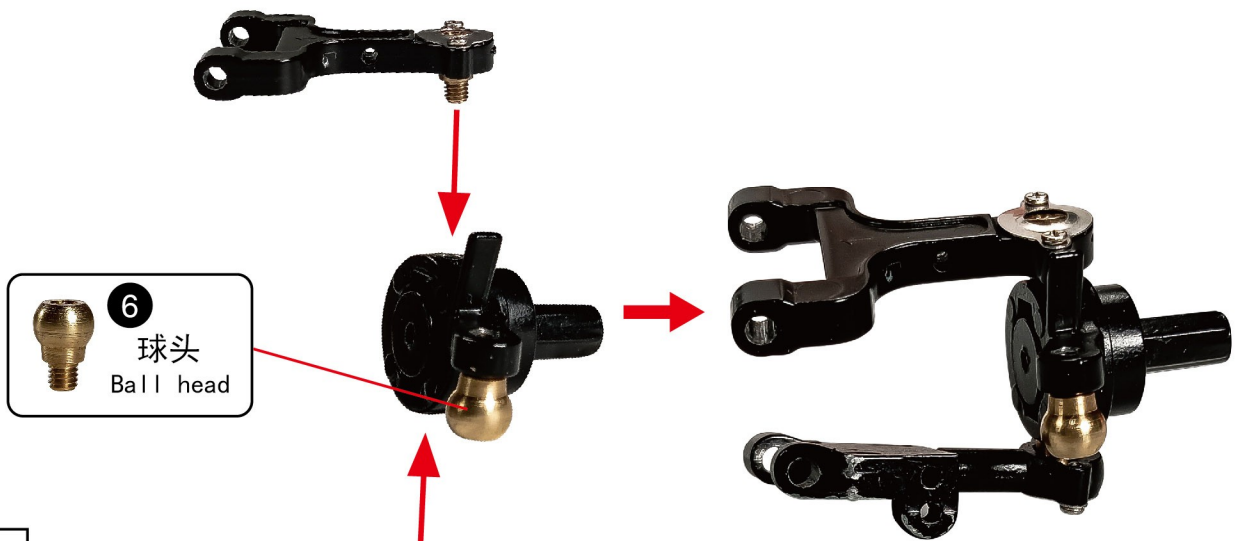
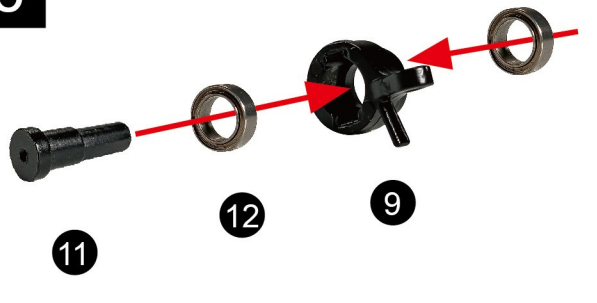
2.3x6  
 黑色螺丝  
 Black screw  
 1:1实物参照图  
 1:1 scale reference

13  
 下摆臂铁轴长  
 Lower arm steel shaft  
 1:1实物参照图  
 1:1 scale reference



重复前面安装步骤组装左边。

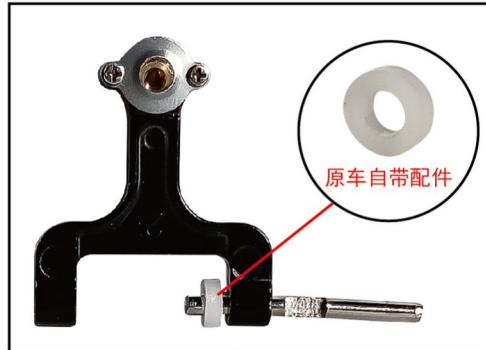
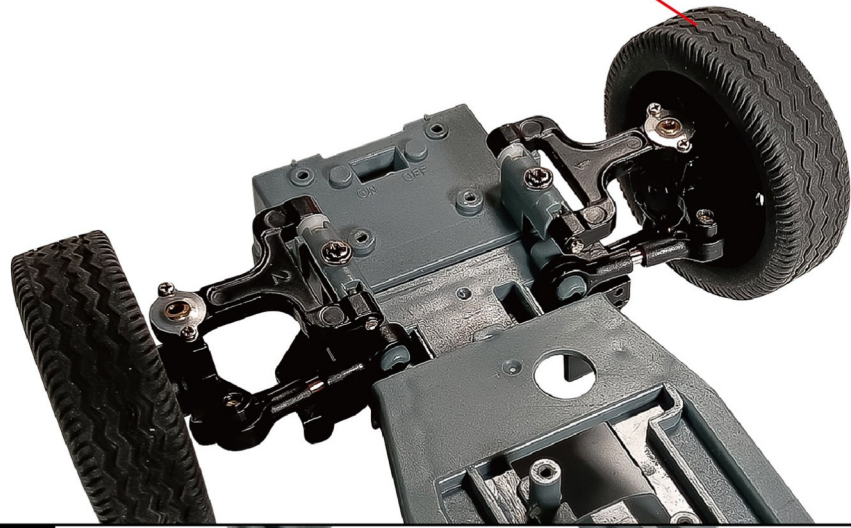
6



6  
 球头  
 Ball head

1.4x4  
 白色螺丝  
 White screws  
 1:1实物参照图  
 1:1 scale reference

7



**13**

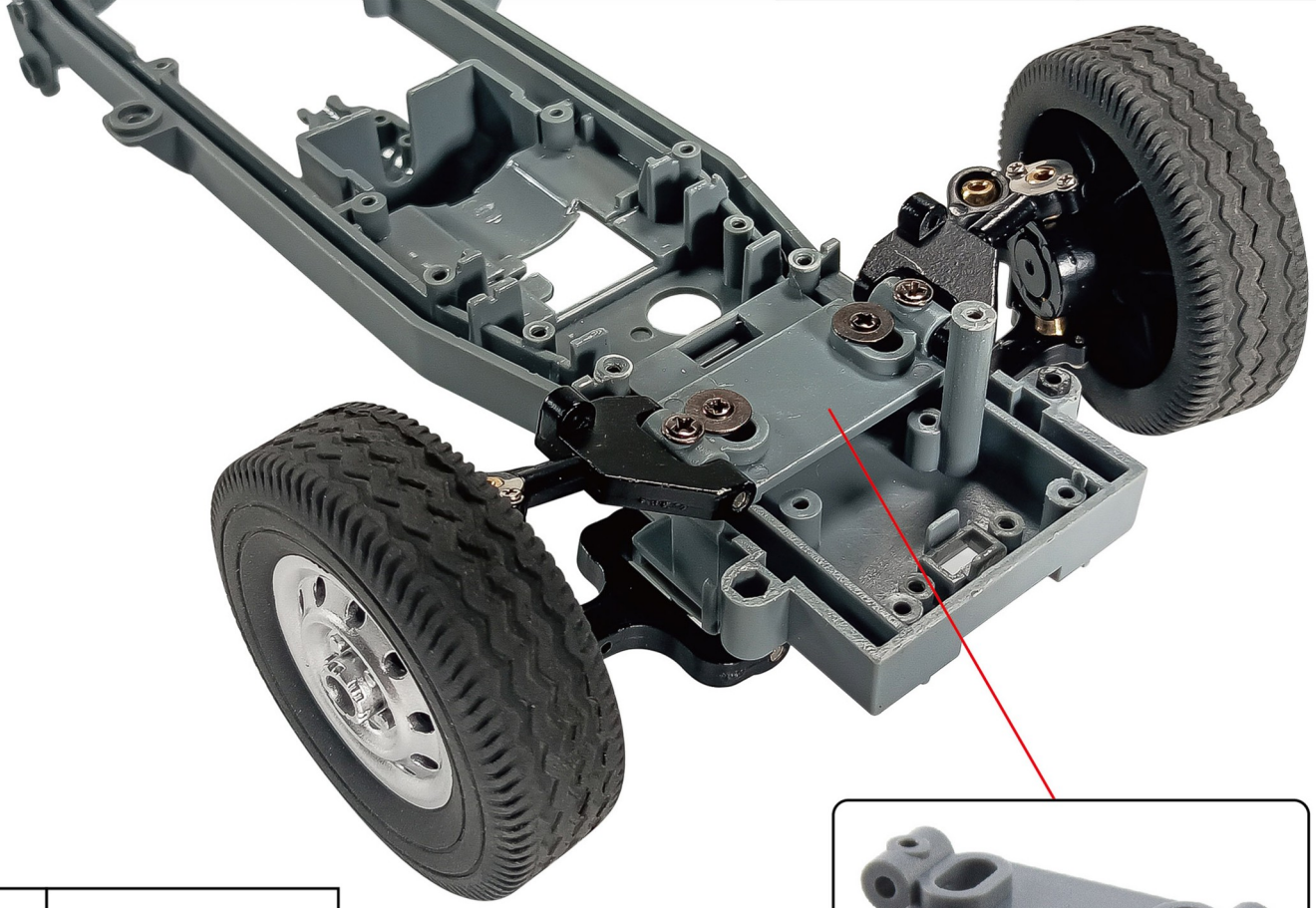
下摆臂铁轴长  
Lower arm steel shaft

1:1实物参照图  
1:1 scale reference

2.3x6  
黑色螺丝  
Black screw

1:1实物参照图  
1:1 scale reference

8



2.3x3x4  
黑色螺丝  
Black screw

1:1实物参照图  
1:1 scale reference

2.3x6x8  
黑色螺丝  
Black screw

1:1实物参照图  
1:1 scale reference

**14**

上摆臂铁轴短  
Upper Arm Steel Shaft

1:1实物参照图  
1:1 scale reference