

E-1 Tracked Vehicle | Metal Track Installation

Parts List



Metal Track x134



Rubber Pad x134



Track pins x 134



Front Drive Sprocket Pins x22



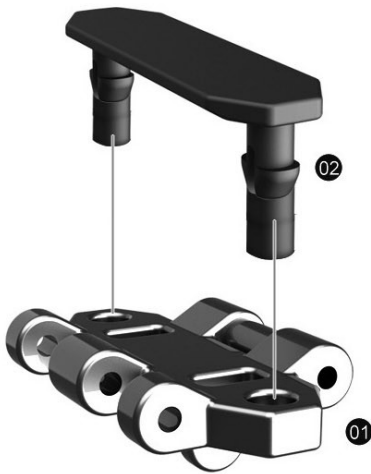
Torsion Spring x1



Front Drive Sprocket x2



Installation

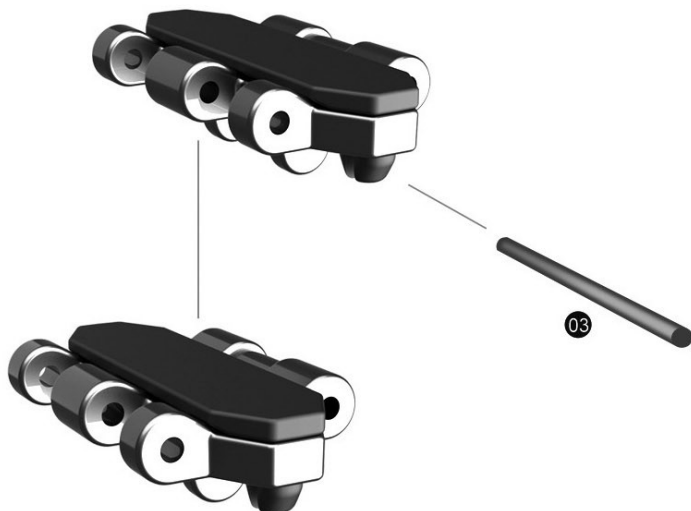


Use a plier or similar tool to pull both left and right tabs through the metal track fully

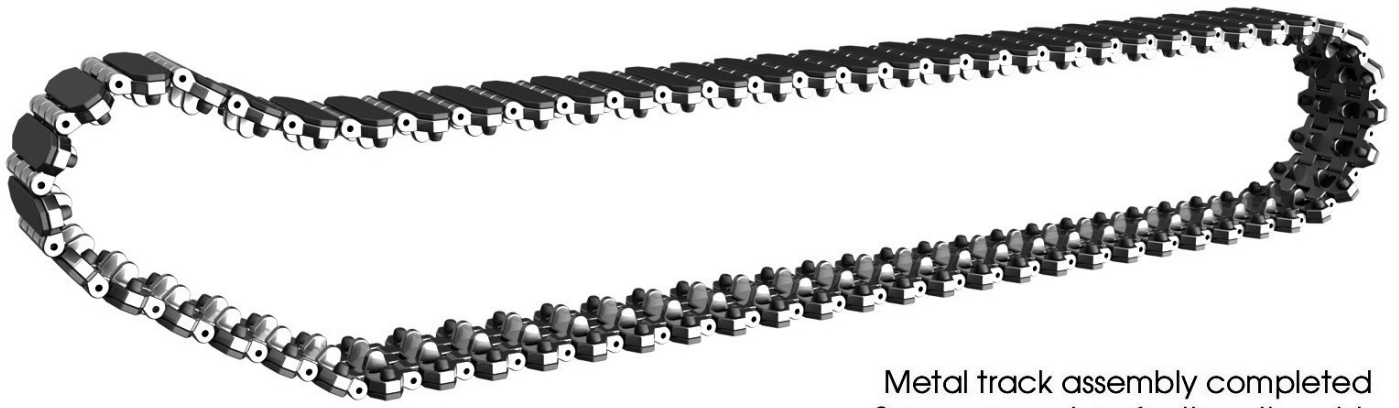


Trim the excess material

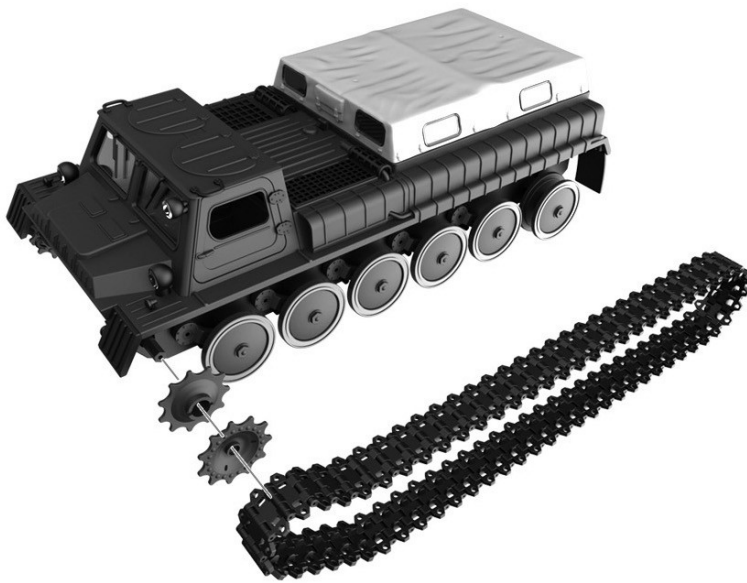
Example completed for 1 piece



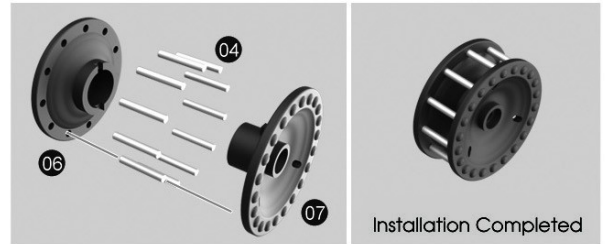
Use the track pin to connect all metal tracks together to complete the whole set



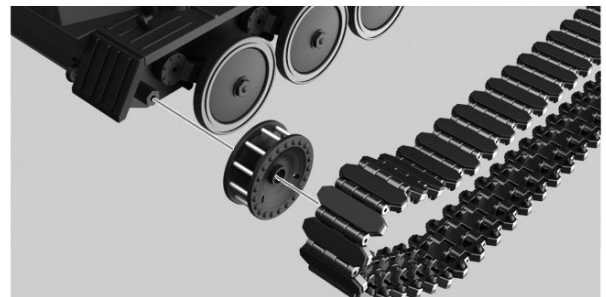
Metal track assembly completed
Same procedure for the other side



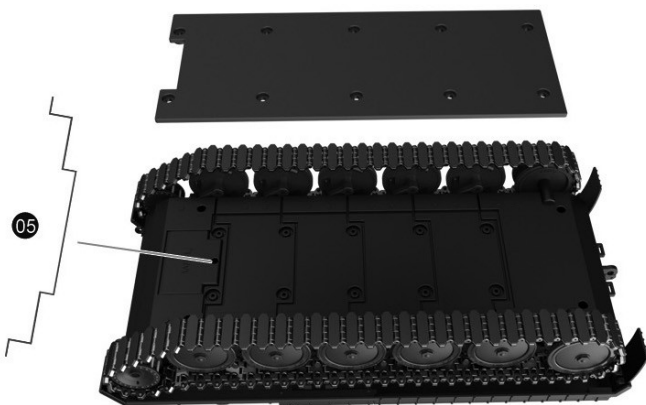
Remove the original front drive sprocket and plastic track



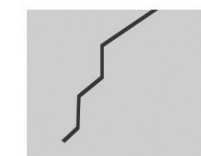
Align the inner and outer front drive sprockets with the front drive sprocket pins and join them together



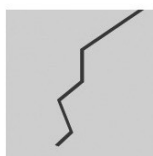
Install the new drive track sprocket and metal track
Same procedure for the other side



Remove the bottom panel to change the torsion spring



For non-metal track version



For metal track version

Note
Observe which
torsion spring to use



Metal Track upgrade completed