

Classis Model

# 经典模型车

拼装说明书

Instruction Manual



货号: D12KM

SKU: D12KM

Official Store  
[www.wpl-rc.com](http://www.wpl-rc.com)

经典 TRUCK  
模型  
Kei TRUCK



前转向灯罩  
Signal Indicator Lens



53 X2

门把手  
Door Handle



54 X2

右后视镜  
Right Side Mirror



55 X1

左后视镜  
Left Side Mirror



56 X1

后视镜片  
Reflective Mirror



57 X2

电源线卡扣  
Battery Wire Bracket



58 X1

椅座  
Seat



59 X1

车头壳  
Front Cab



60 X1

背板  
Rear Firewall



61 X1

后斗  
Rear Bed



62 X1



白色版本需要自己  
组装挡泥板,用  
2.3X6螺丝。

White version required  
Self assembled mudguard  
Plate with 2.3x6 screw  
Silk.

储物箱  
Storage Box



63 X1

电池盖开关  
Battery Box Lock



64 X1

尾灯灯罩  
Tail-light Lens



65 X2

侧转向灯罩  
Rear Signal Indicator Lens



66 X2

舵机摆臂  
Servo Arm



67 X1

舵机扣  
Steering Slider Shaft



68 X1

舵机  
Servo



69 X1

固定座  
Leaf Spring Seat



70 X2



71 X1



72 X1



73 X1



74 X1

金属配件, 可以按照自己的需求自主改装。  
Optional metal parts included for own upgrade

润滑油  
Grease



X1

LOGO贴纸  
Naughty Dragon Sticker



X1

UV标贴纸  
D12 Sticker



X1

螺丝胶  
Loctite



X1

螺丝刀  
bolt driver



X1

六角边工具  
Hexagon tool



X1

3mm机米螺丝  
3mm machine screw



X6

2.3X6



X20

2.3X3X5



X4

2.3X4



X2

2.3X6X8



X8

2.3X6X5



X10

2.5X6.5



X2

2.5X14



X4

2.5X17



X4

1

3.5铜套  
3.5 brass sleeve

3

后桥固定铁轴  
Steel Pin

4

5.5铜套  
5.5 brass sleeve

2

后桥固定铁轴  
Steel pin  
1:1实物参照图  
1:1 scale reference

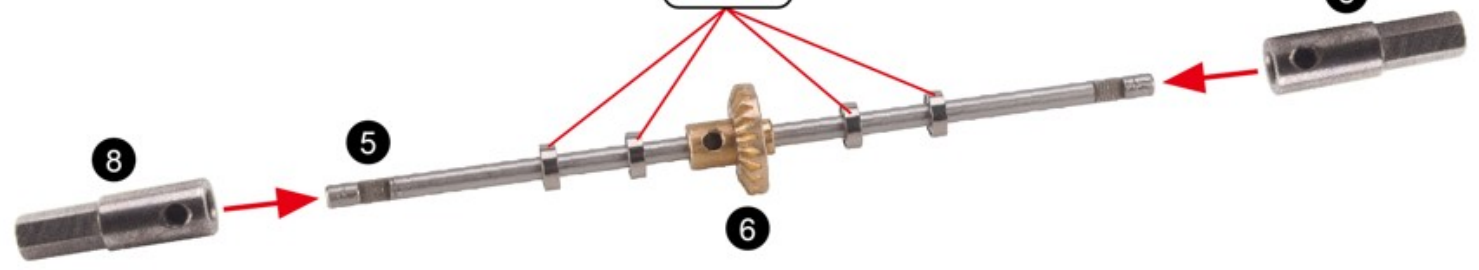


使用后桥固定铁轴把3.5铜套和5.5铜套固定住  
Use steel pin to secure both 3.5 and 5.5 brass sleeve

2

7  
X4

8

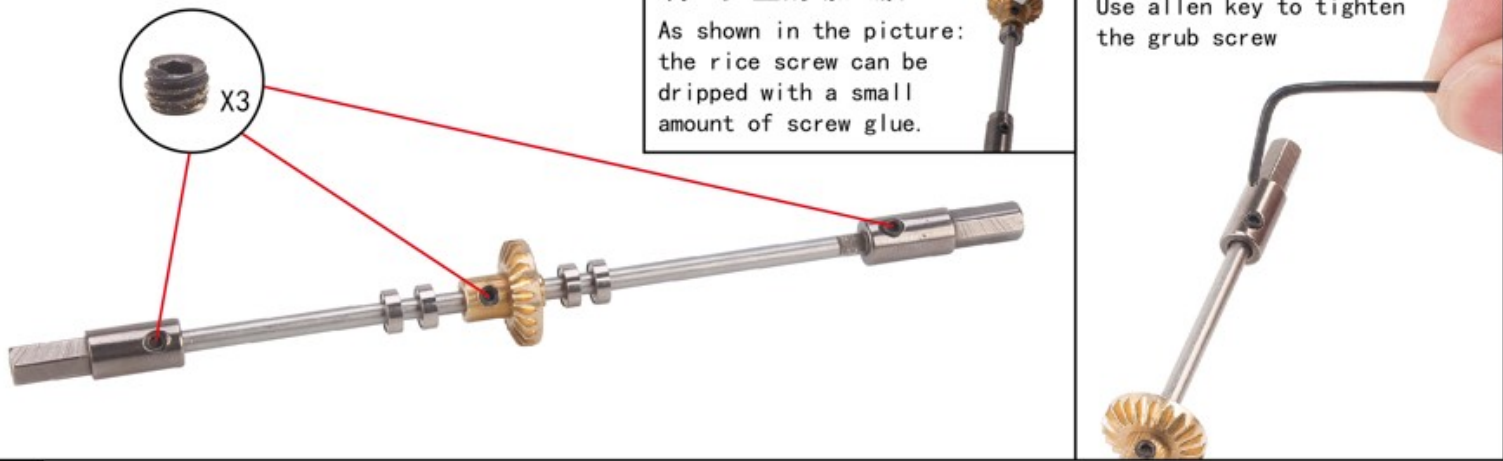


3

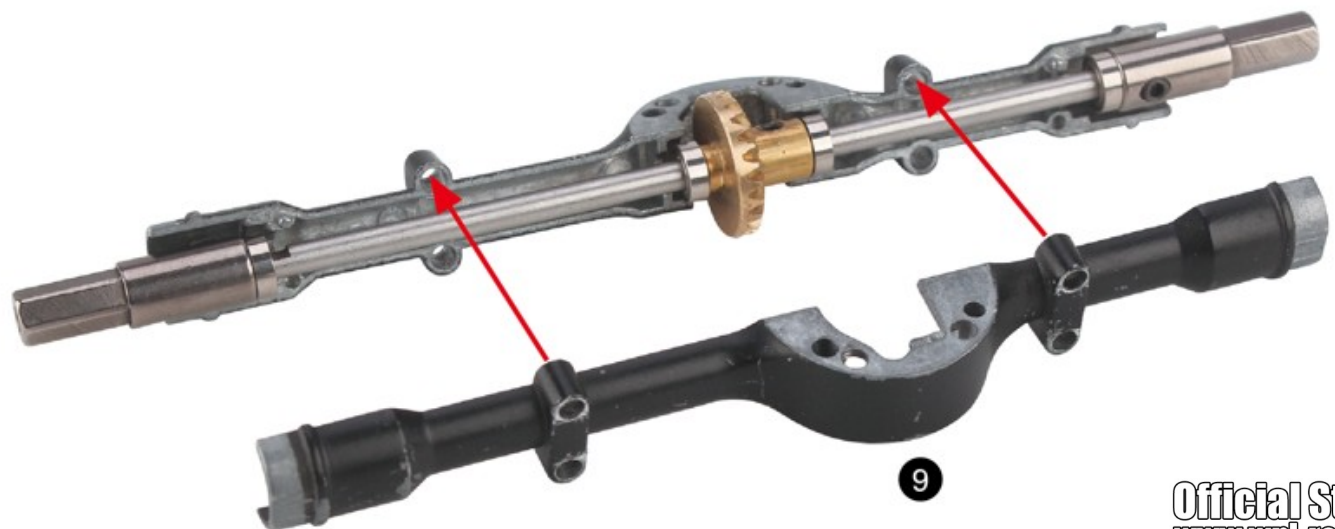
X3

如图：机米螺丝可以滴上少量的螺丝胶。  
As shown in the picture:  
the rice screw can be  
dripped with a small  
amount of screw glue.

使用工具把机米螺丝拧紧  
Use allen key to tighten  
the grub screw



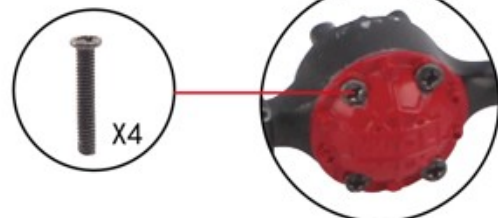
4



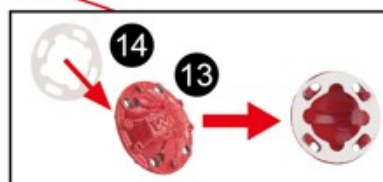
5

如图：齿轮  
可以滴上一  
些润滑油。

As shown,  
apply grease  
on the ring  
gear



使用工具把螺丝拧紧  
Tighten the 4 screws



2.5×14  
桥盖螺丝  
Screws for  
Axle cover  
1:1实物参照图  
1:1 scale reference

6

塑料减震片 (短)  
Plastic Leaf Spring  
(Short) 17

塑料减震片 (长)  
Plastic Leaf Spring  
(Long) 16

金属弹簧片  
Steel Leaf Spring 15

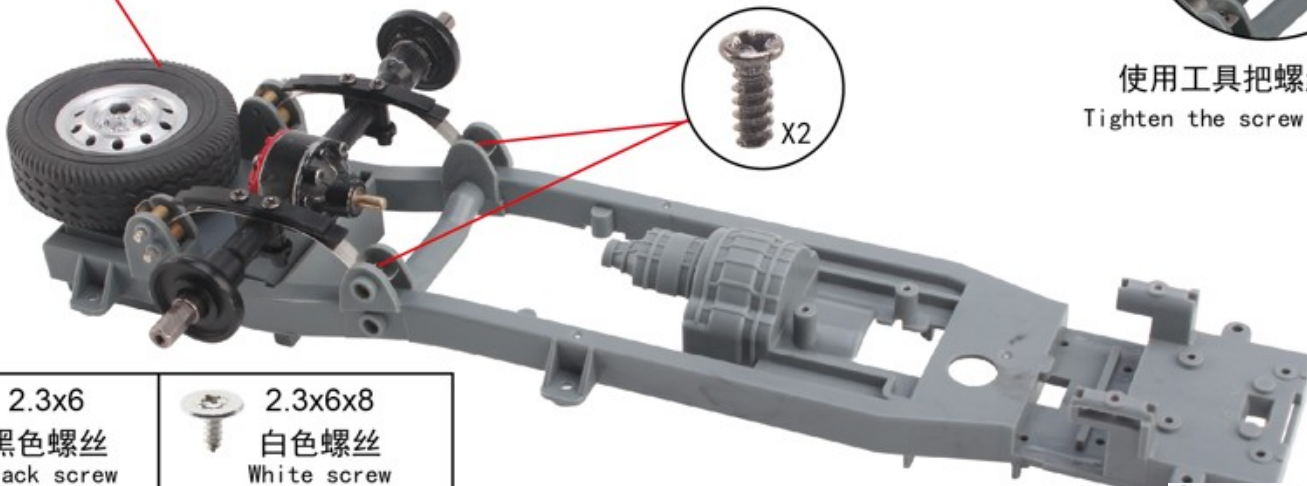


2.5×17  
后桥固定减震片螺丝  
Screws for Rear  
Leaf Spring  
1:1实物参照图  
1:1 scale reference

7




使用工具把螺丝拧紧  
Tighten the screw as shown



2.3×6  
黑色螺丝  
Black screw  
1:1实物参照图  
1:1 scale reference

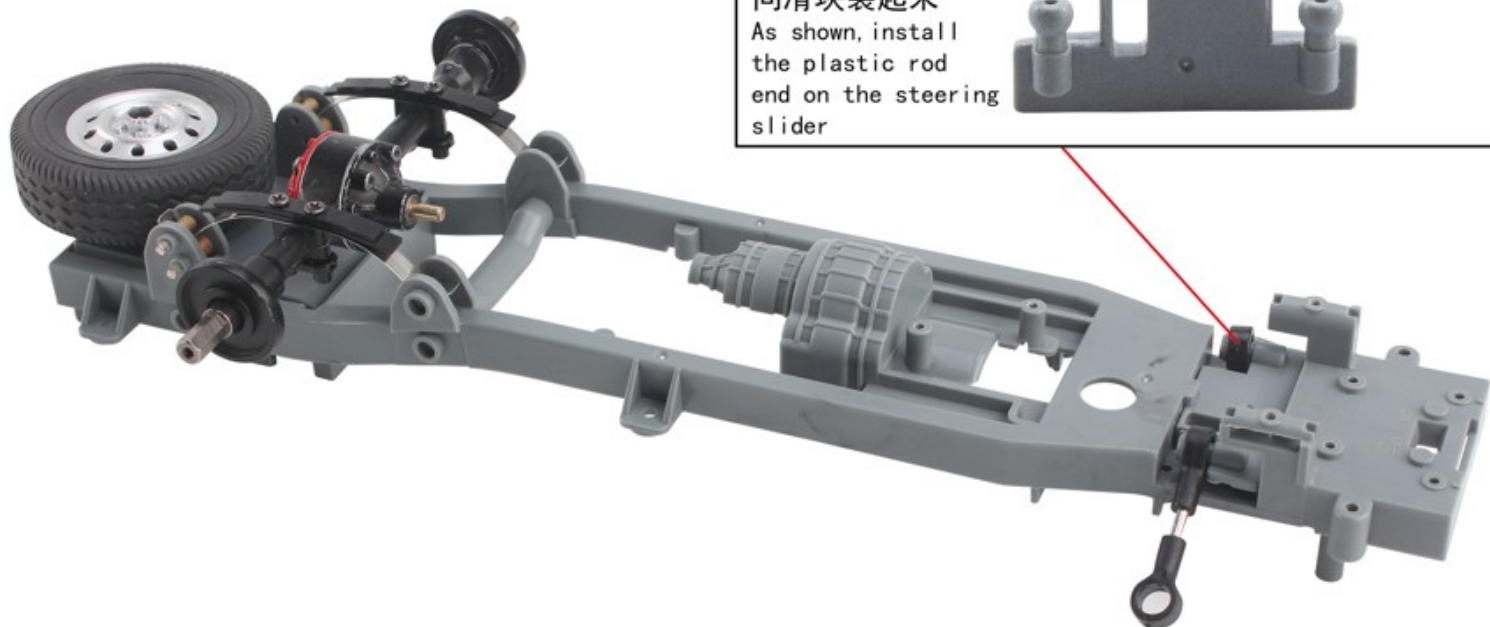
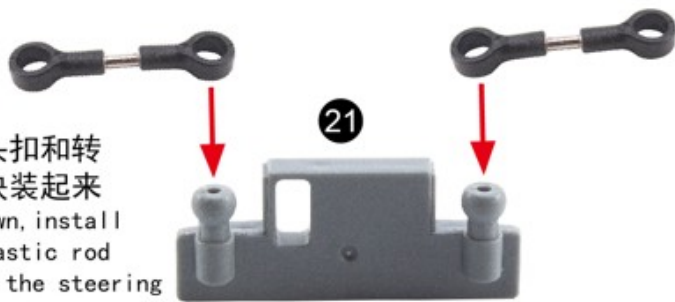
2.3×6×8  
白色螺丝  
White screw  
1:1实物参照图  
1:1 scale reference

8

 转向铁轴  
Steering Link Rod  
1:1实物参照图  
1:1 scale reference



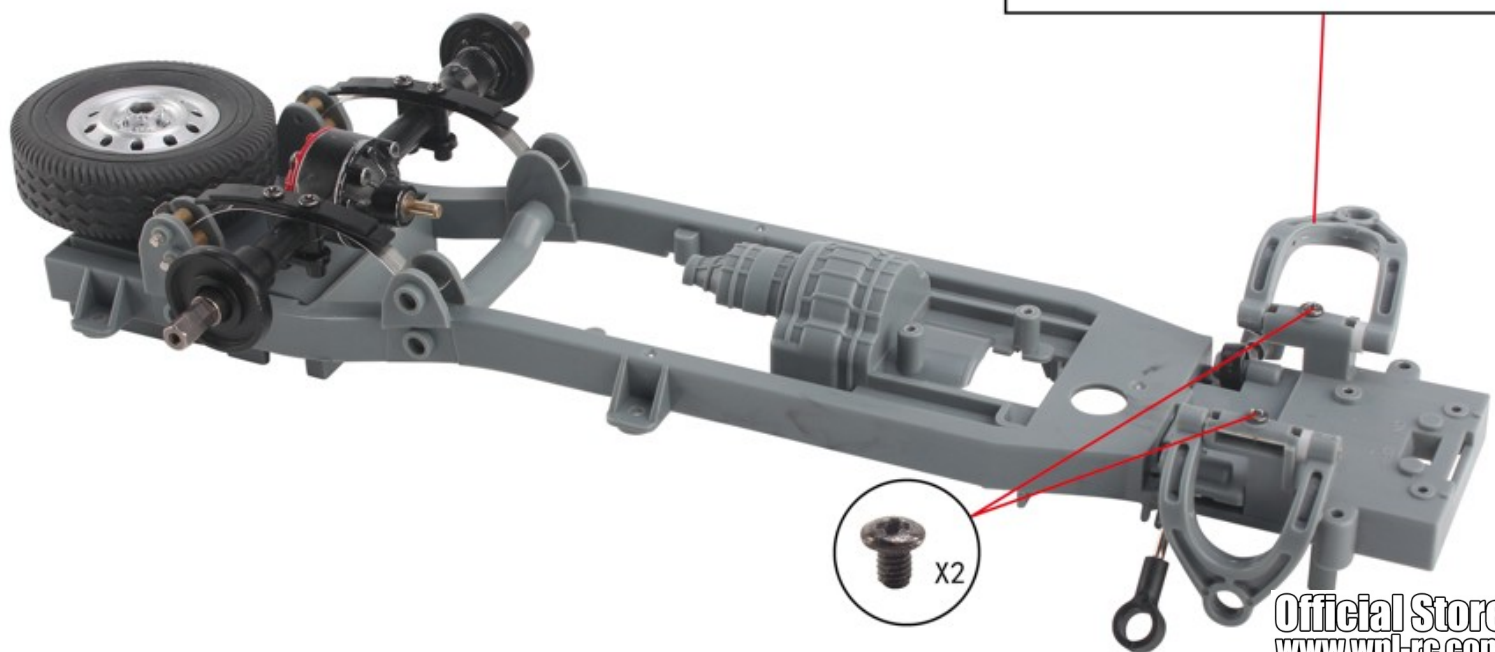
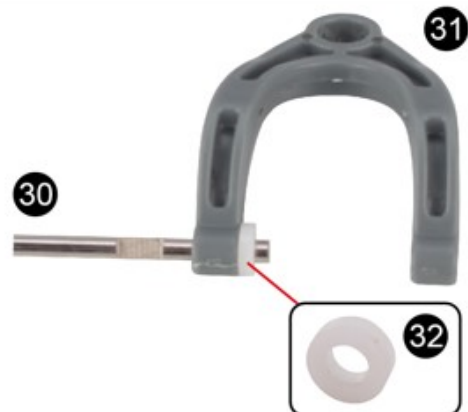
如图：  
把球头扣和转向滑块装起来  
As shown, install  
the plastic rod  
end on the steering  
slider



9

2.3x3x4  
 黑色螺丝  
Black screw  
1:1实物参照图  
1:1 scale reference

 下摆臂铁轴长  
Lower arm steel shaft  
1:1实物参照图  
1:1 scale reference



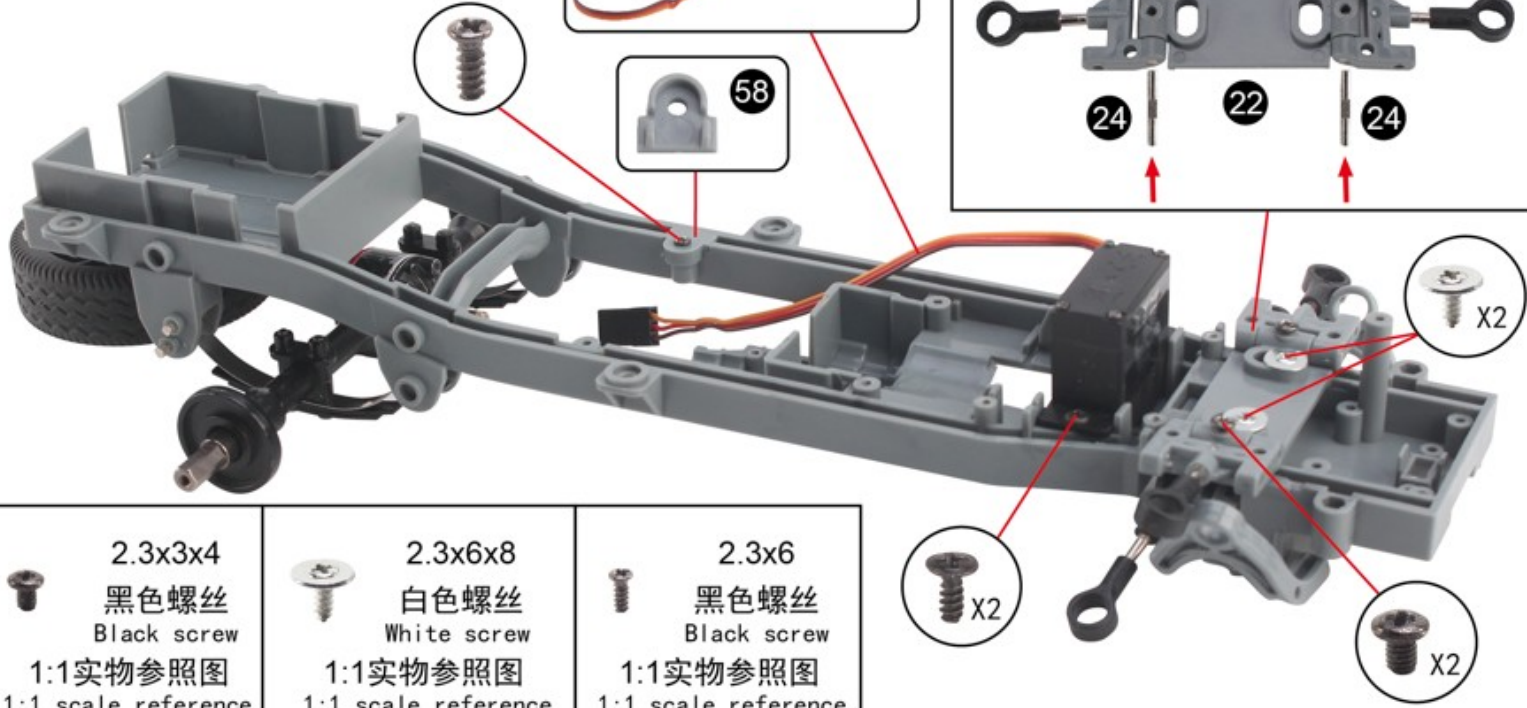
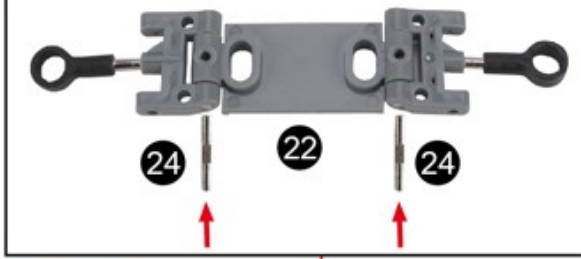
10

2.3x6x5  
黑色螺丝  
Black screw  
1:1实物参照图  
1:1 scale reference

上摆臂铁轴短  
Upper Arm Steel Shaft  
1:1实物参照图  
1:1 scale reference



把球头扣和上摆臂用转向铁轴装在一起  
Assemble the Plastic Rod End to Upper Arm using the Link Rod

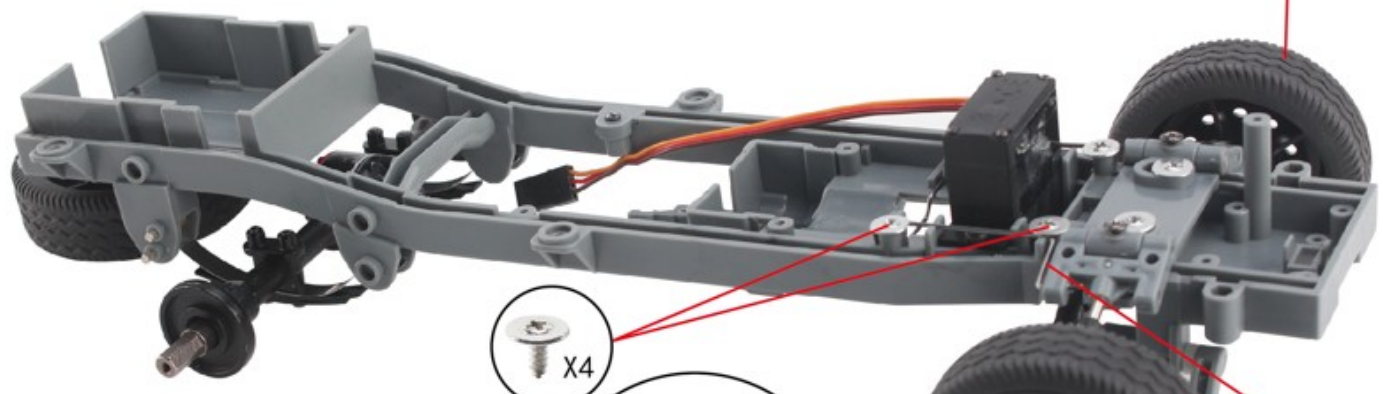
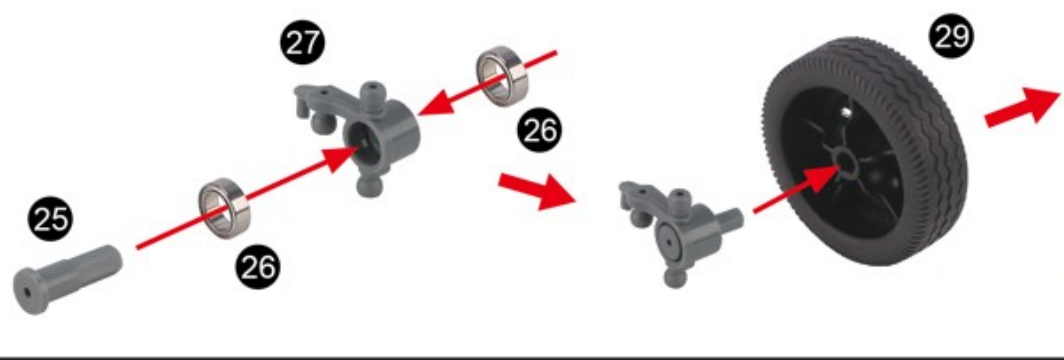


2.3x3x4  
黑色螺丝  
Black screw  
1:1实物参照图  
1:1 scale reference

2.3x6x8  
白色螺丝  
White screw  
1:1实物参照图  
1:1 scale reference

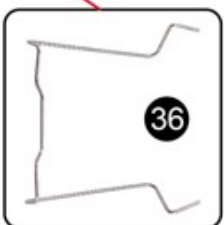
2.3x6  
黑色螺丝  
Black screw  
1:1实物参照图  
1:1 scale reference

11



2.3x6  
黑色螺丝  
Black screw  
1:1实物参照图  
1:1 scale reference

2.3x6x8  
白色螺丝  
White screw  
1:1实物参照图  
1:1 scale reference



12

如图：齿轮  
可以滴上一  
些润滑油。  
As shown,  
apply grease  
to the gears



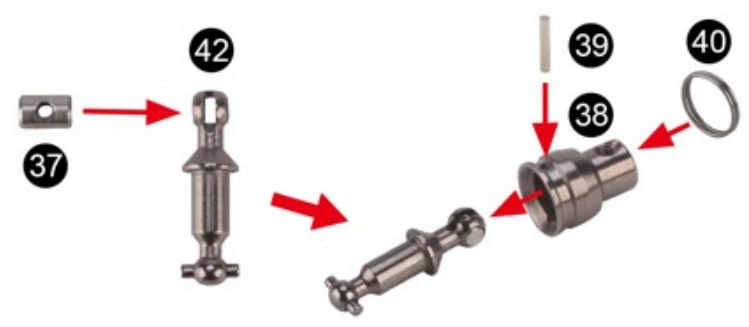
2.3x6  
黑色螺丝  
Black screw  
1:1实物参照图  
1:1 scale reference

2.5x6.5  
黑色螺丝  
Black screw  
1:1实物参照图  
1:1 scale reference

2.3x6x5  
黑色螺丝  
Black screw  
1:1实物参照图  
1:1 scale reference

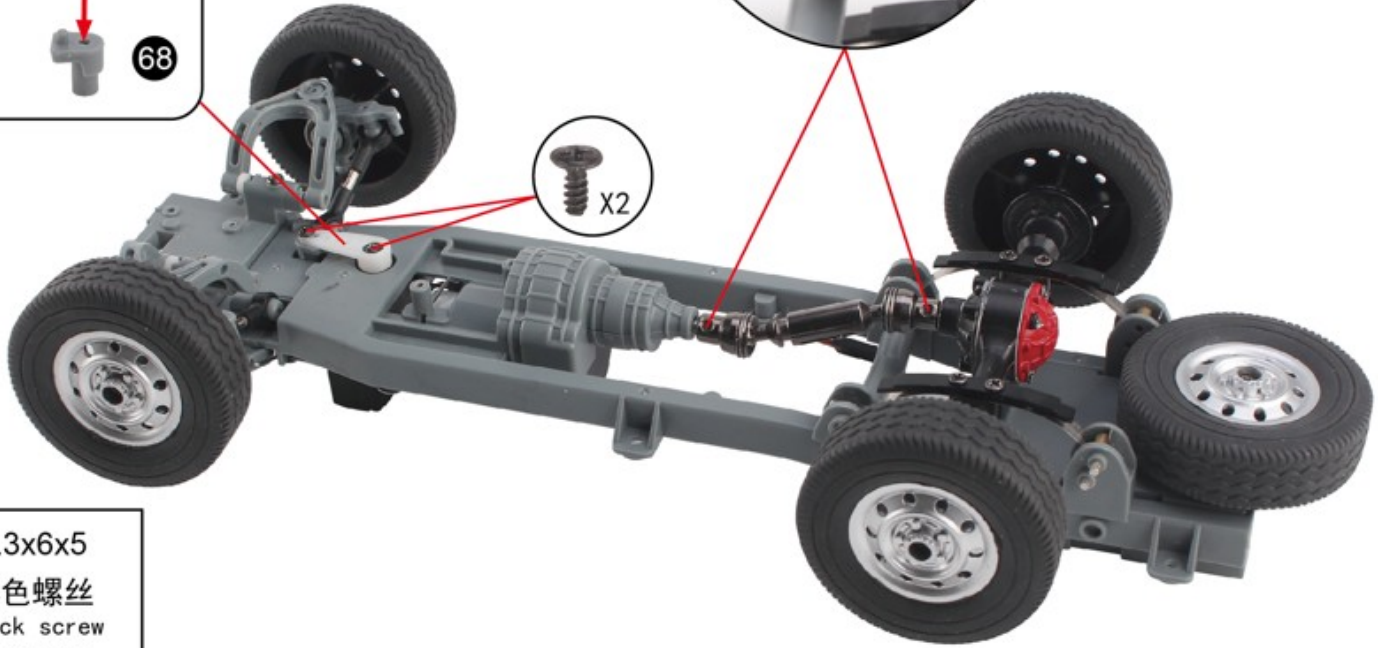
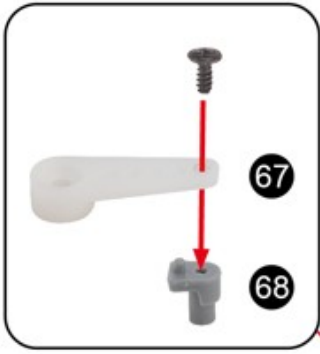
2.3x5  
白色螺丝  
White screw  
1:1实物参照图  
1:1 scale reference

13





14

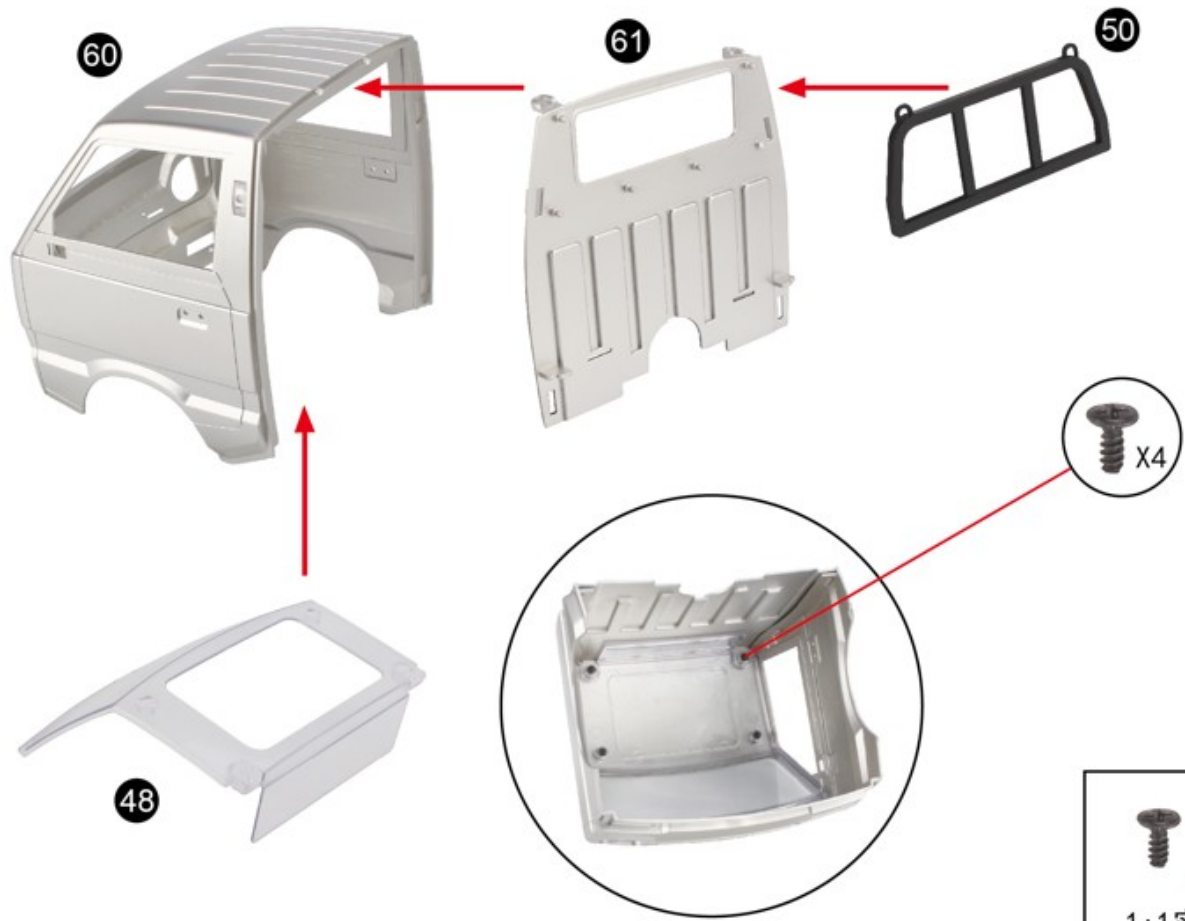


2.3x6x5  
 黑色螺丝  
 Black screw  
 1:1实物参照图  
 1:1 scale reference

15



2.3x6x8  
 白色螺丝  
 White screw  
 1:1实物参照图  
 1:1 scale reference



2.3x6x5  
 黑色螺丝  
 Black screw  
 1:1实物参照图  
 1:1 scale reference

