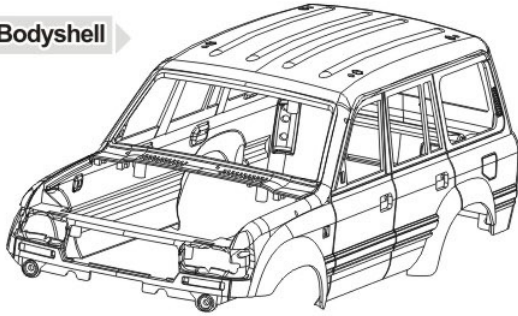
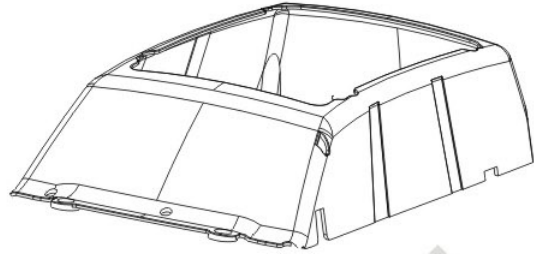


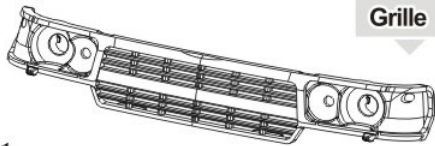
**Bodyshell**



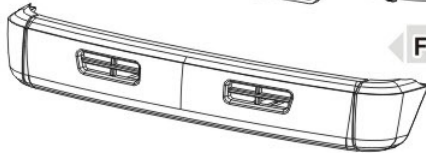
**Windscreen & Windows**



**Grille**



**Front bumper**



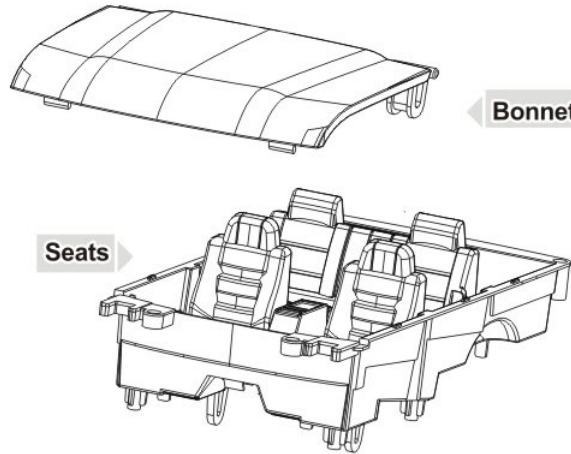
**Left side step**



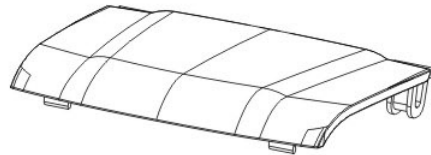
**Right side step**



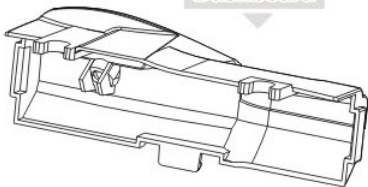
**Seats**



**Bonnet**



**Dashboard**



**Steering wheel**



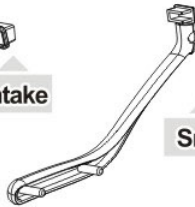
**Signal indicator x2**



**Snorkel intake**



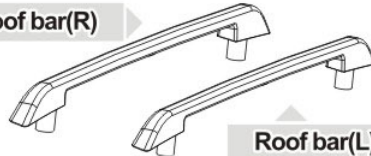
**Snorkel**



**Wiper x3**



**Roof bar(R)**



**Roof bar(L)**

**Tail light lens(R)**



**Tail light lens(L)**



**Side marker X2**



**Side mirror(R)**



**Side mirror(L)**



**Mirror (R)**



**Mirror (L)**



**Electronics compartment**



**Door handle(L) X2**



**Door handle(R) X2**



**Headlight lens(R)**



**Headlight lens(L)**



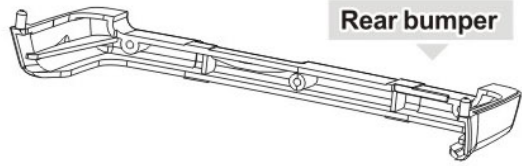


Wheel

Tire



Spare tire rack



Rear bumper



License plate frame



LED cover (R)

LED cover (L)



NO.1 screw X15



NO.2 screw X13



NO.3 screw X2

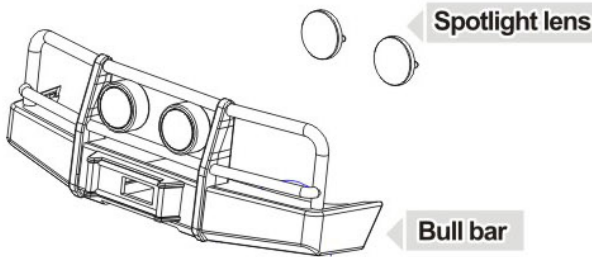
UV sticker x1

**Use of UV sticker:**

This product contains UV sticker, apply pressure on the sticker before use. Remove the sticker and apply on the corresponding part of the car, apply pressure on the sticker, then remove the transparent film. Use twizzer for hard to reach area of the body. Apply sticker on the headlight before installing the headlight lens.

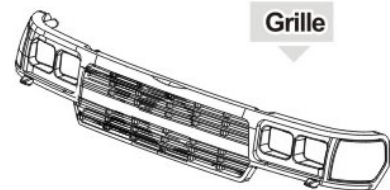
**• New accessories for CB05-1 •**

(Please refer to CB05 for installation mode)

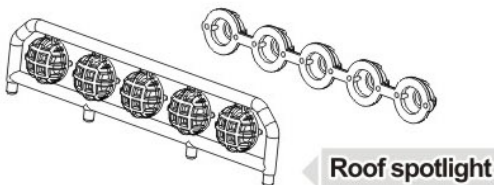


Spotlight lens

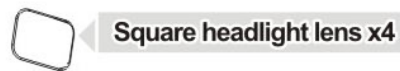
Bull bar



Grille



Roof spotlight



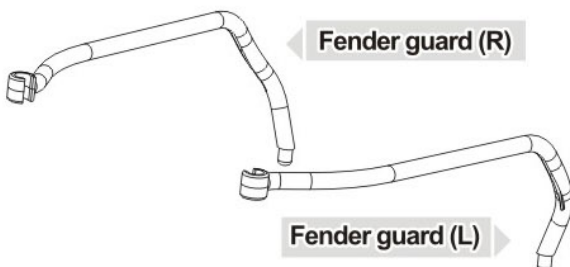
Square headlight lens x4



Signal indicator lens(L)



Signal indicator lens(R)



Fender guard (R)

Fender guard (L)

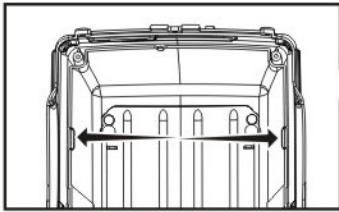
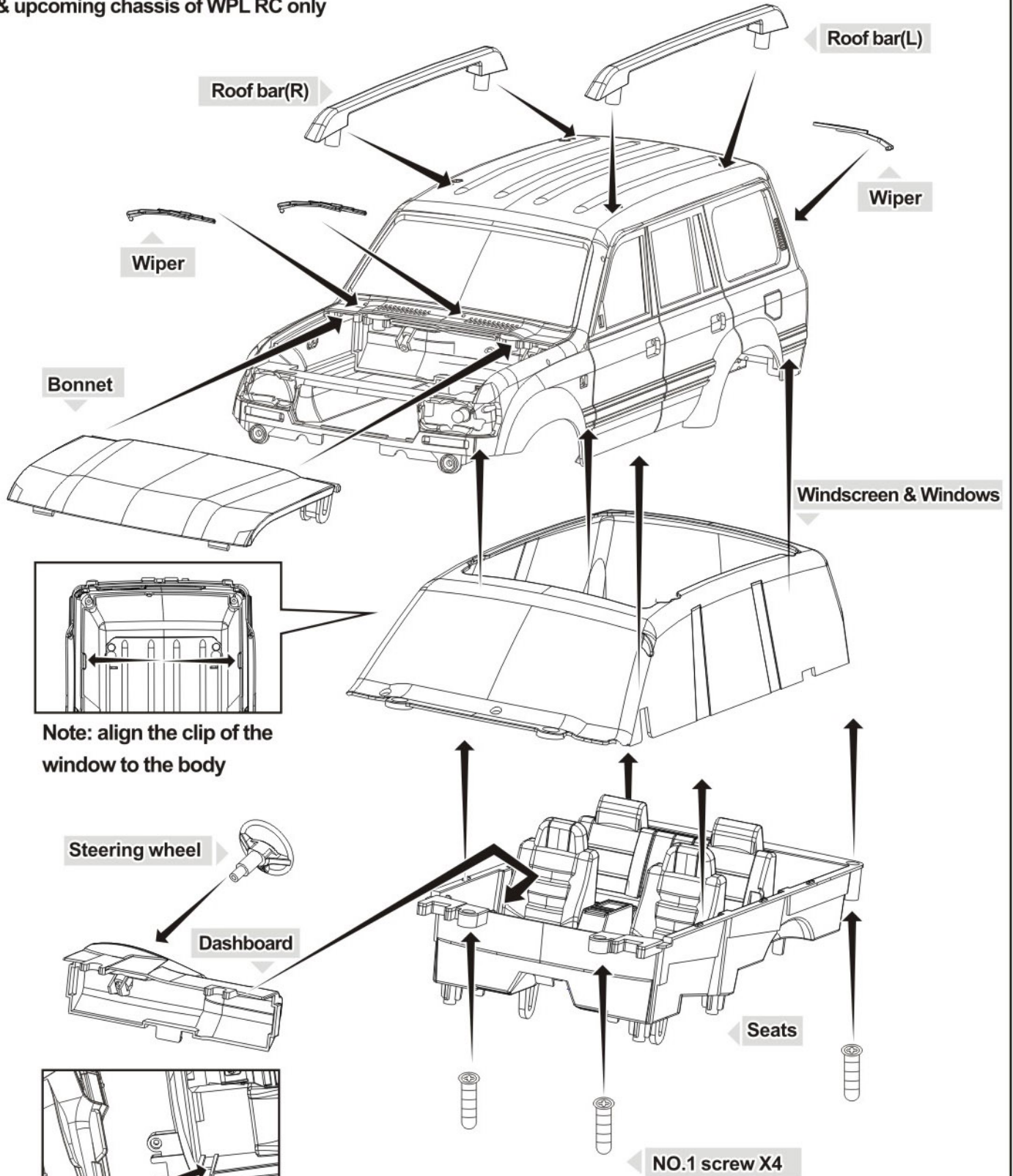
Roof rack & Rear ladder



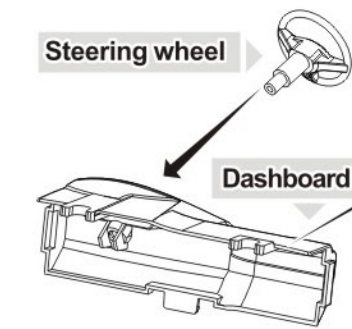
• Upper Part •

• **Bodyshell installation instruction** •

This body shell is compatible with C14/C24  
& upcoming chassis of WPL RC only



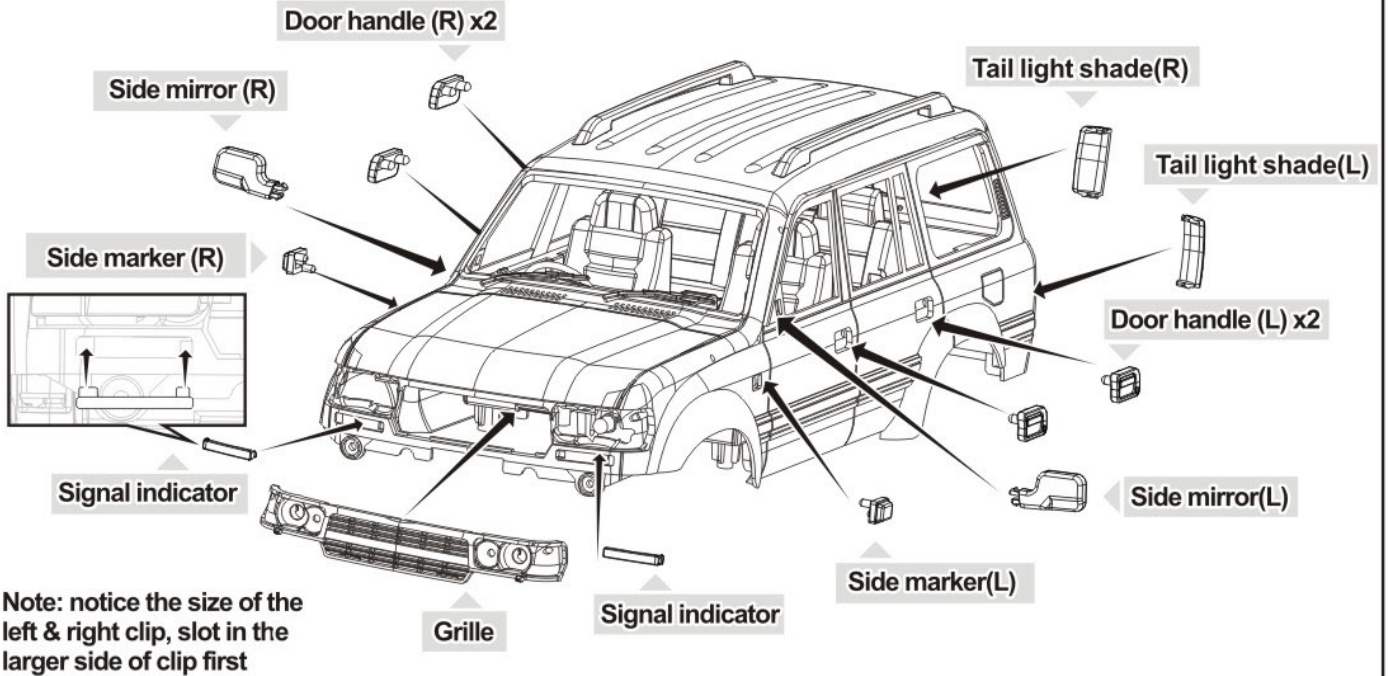
**Note:** align the clip of the window to the body



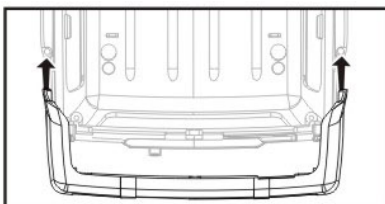
**Note:** align the dashboard accordingly to the seats mounting location

• Bodyshell installation instruction •

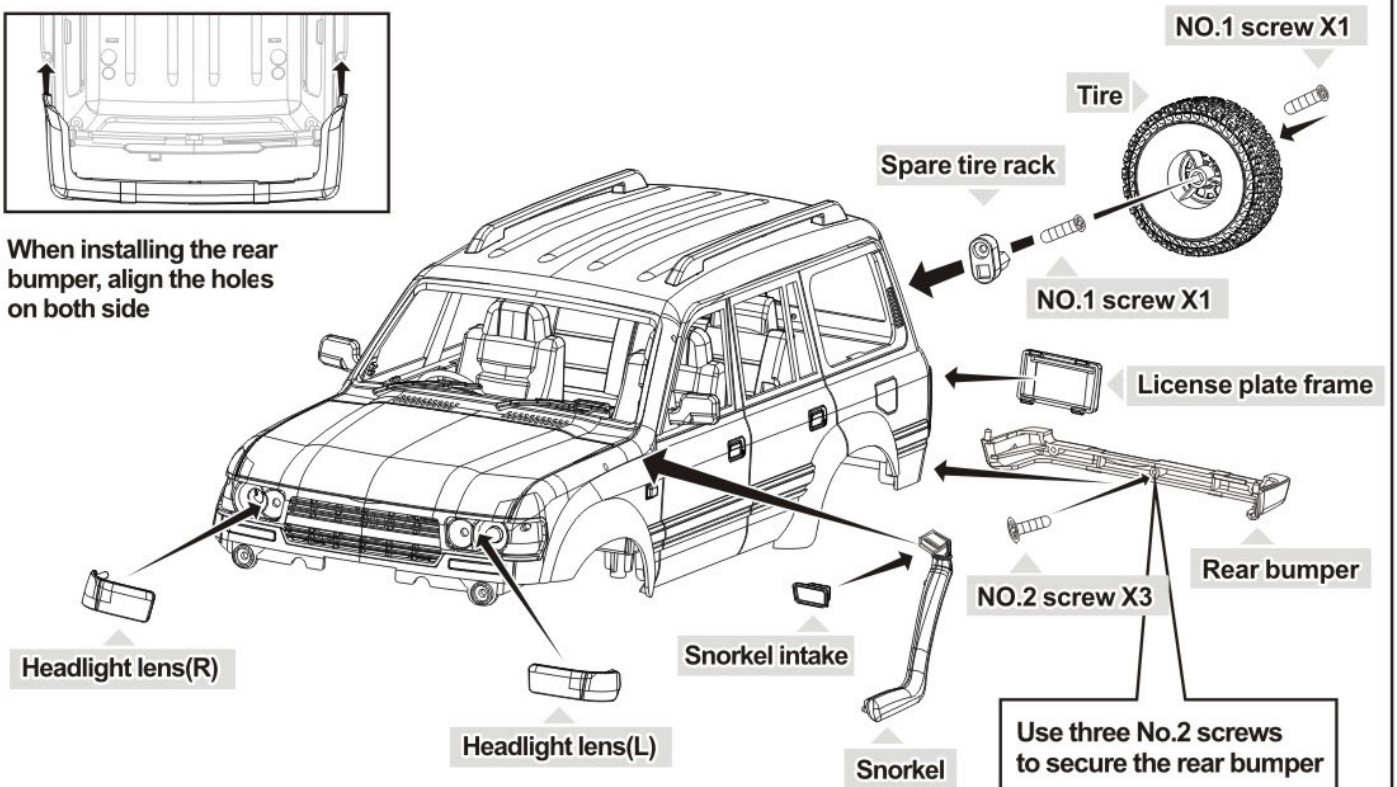
Note: when installing the tail light lens clip it from the bottom first



• Bodyshell installation instruction •

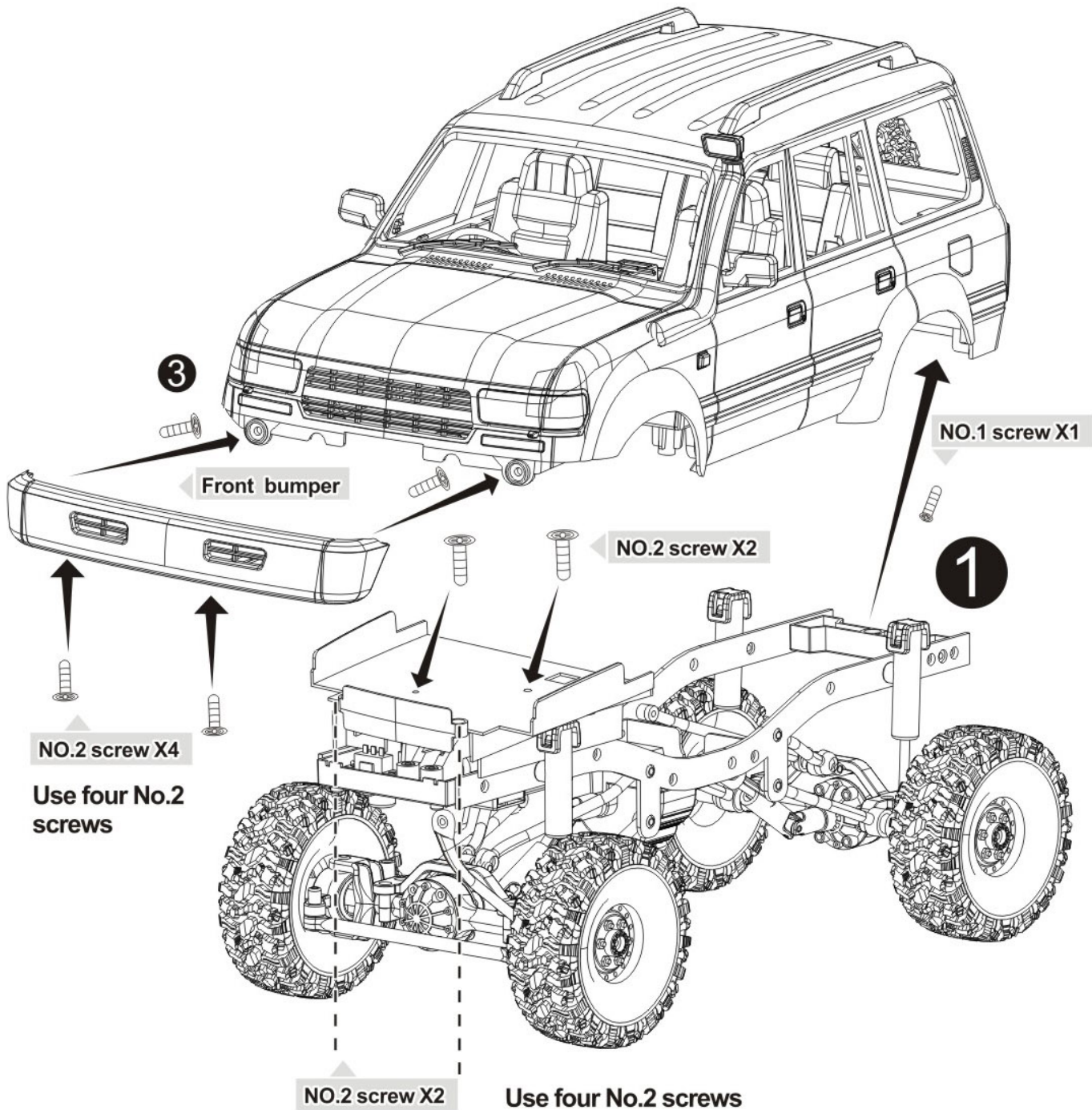
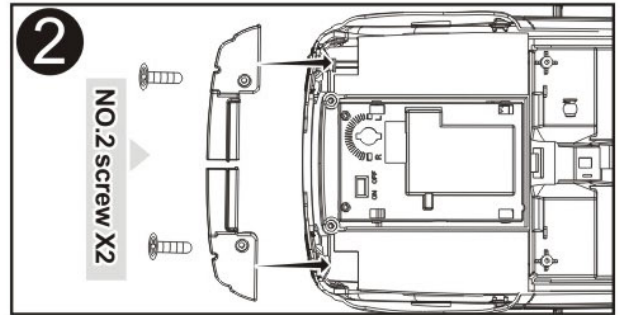


When installing the rear bumper, align the holes on both side



• Installation of bodyshell to the chassis •

Note: when installing, please follow the steps shown carefully



• Installation of bodyshell to the chassis •

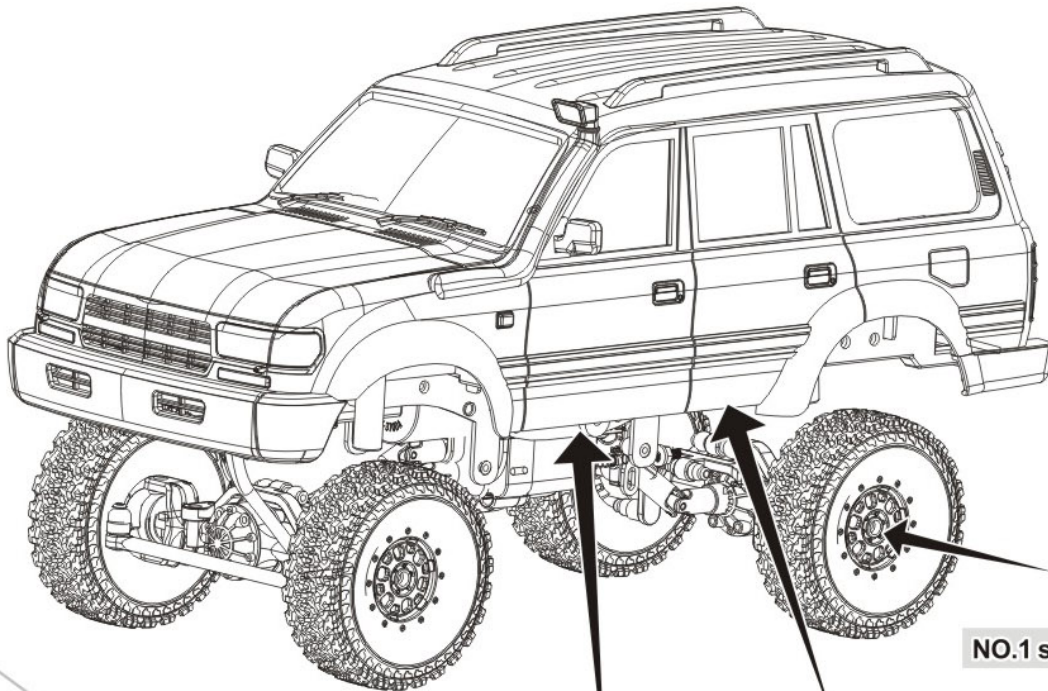
**Note:**

**A:** the front part of the bodyshell uses two No.2 screws

**B:** the center part of the bodyshell uses two No.3 screws

**C:** the rear of the bodyshell uses one No.1 screw

**4**



Left side step

NO.1 screw X4

You may apply glue in certain areas to secure the parts firmly

NO.1 screw X4

The little hole on the side step points to the front



Completed view