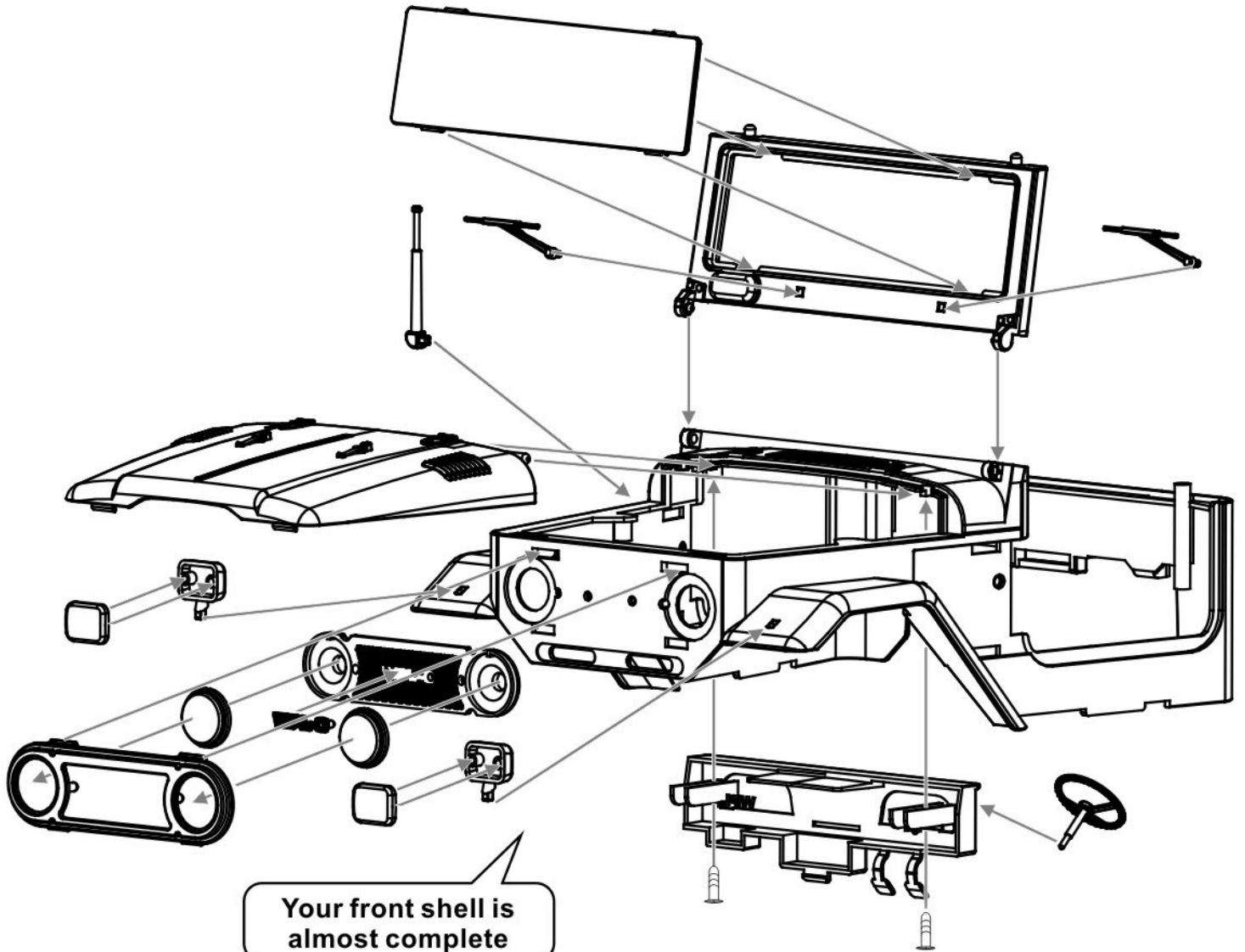
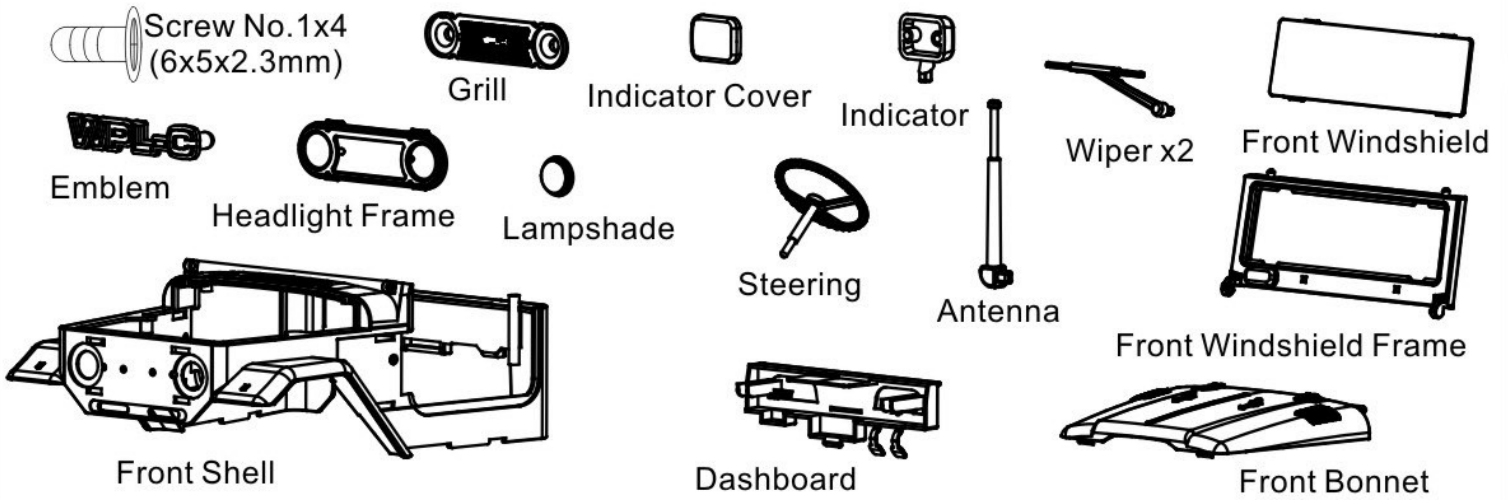
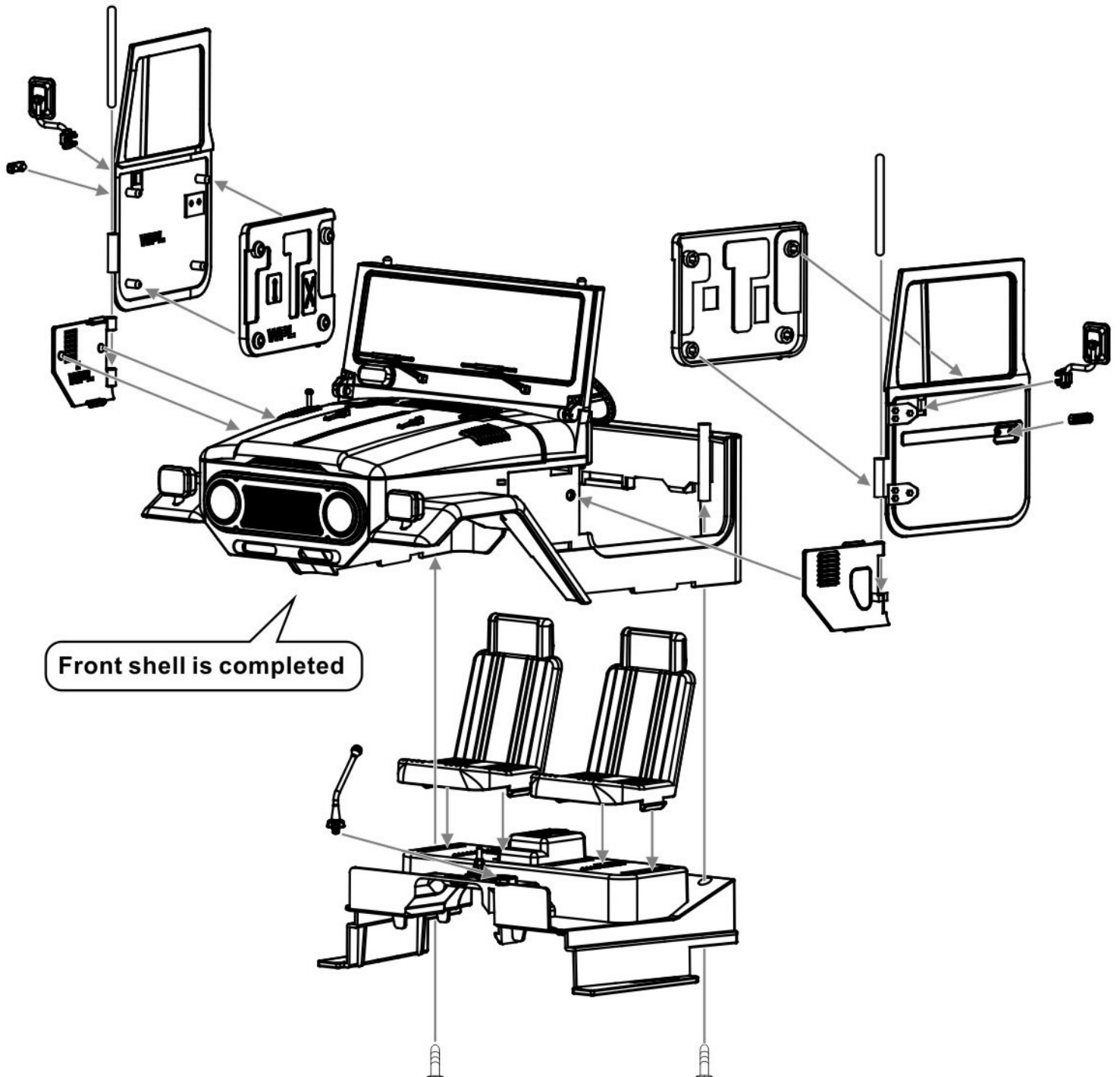
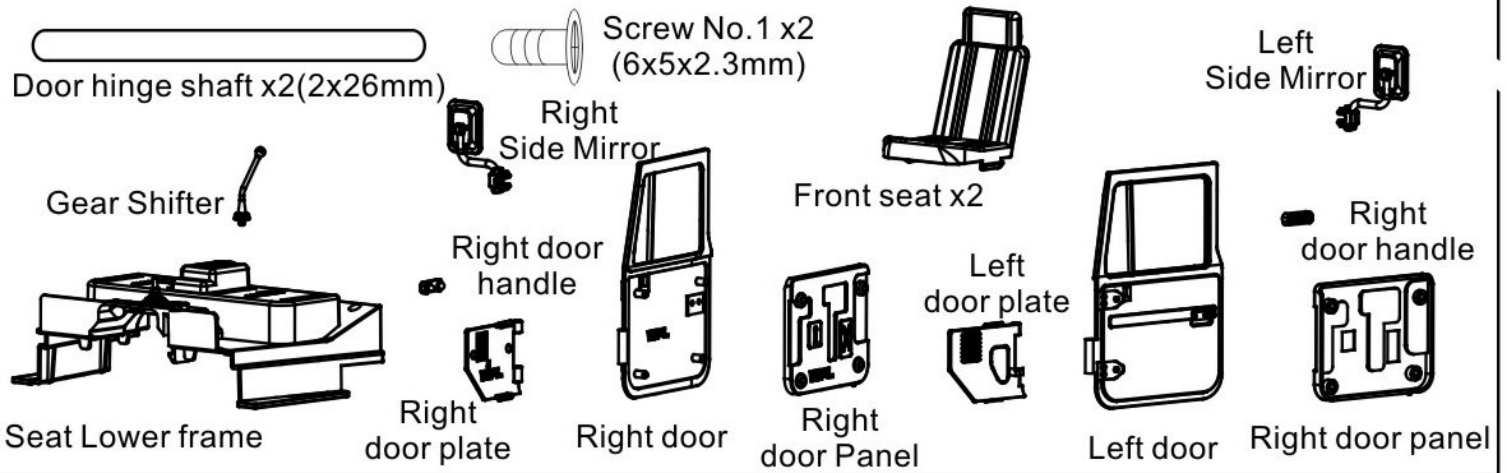


Body Shell Assembly



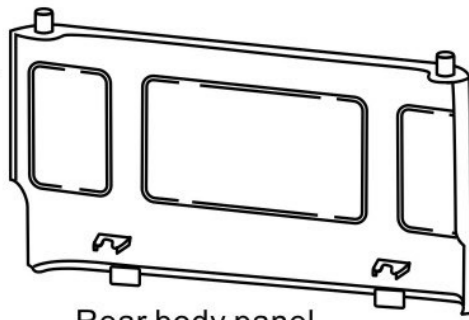
Body Shell Assembly



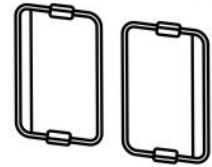
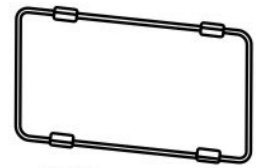
Body Shell Assembly



Roof Cover



Rear body panel

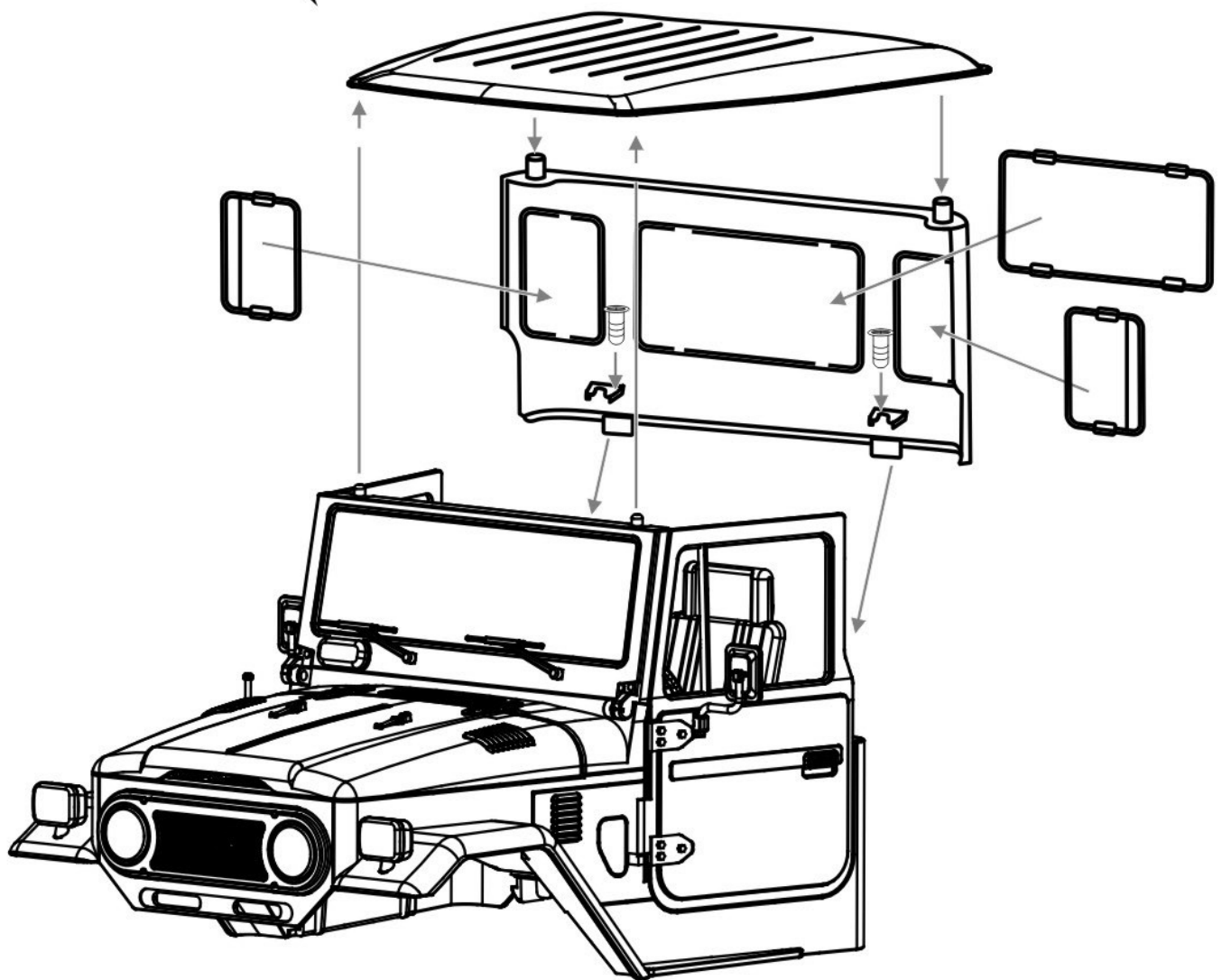


Rear Window x3

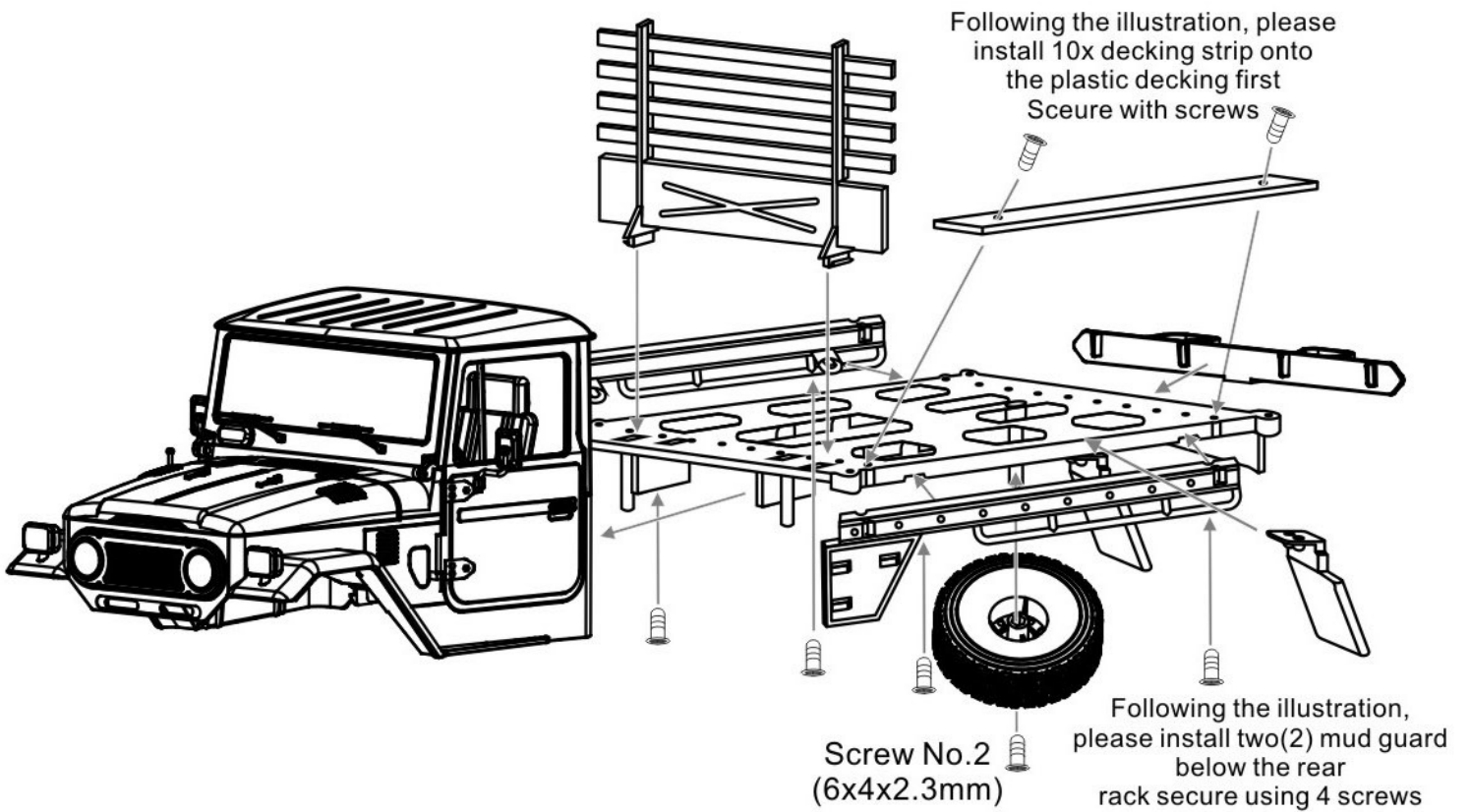
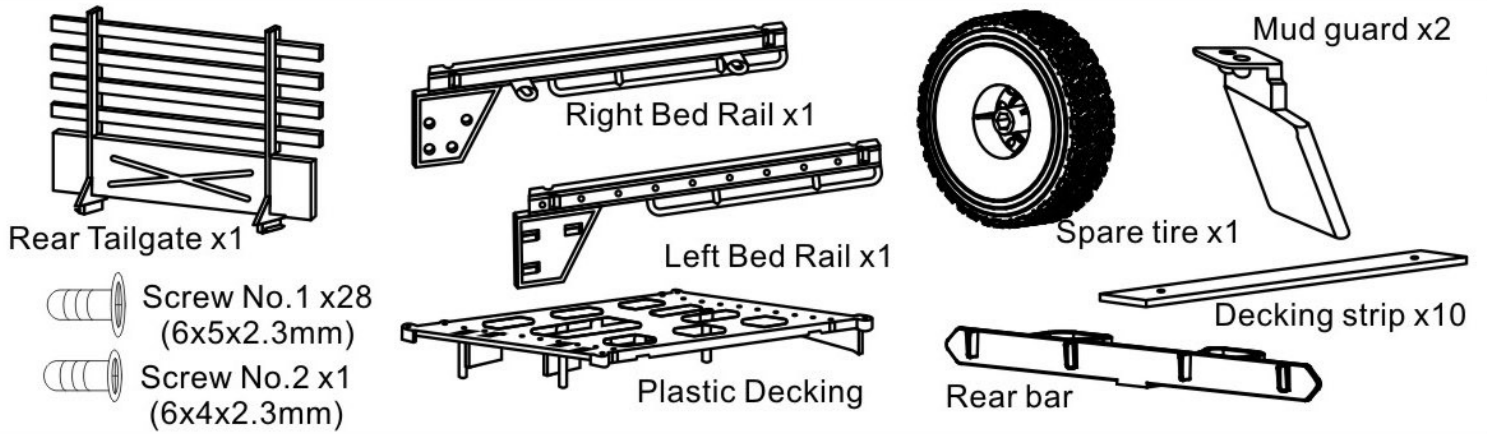


Screw No. 1x2
(6x5x2.3mm)

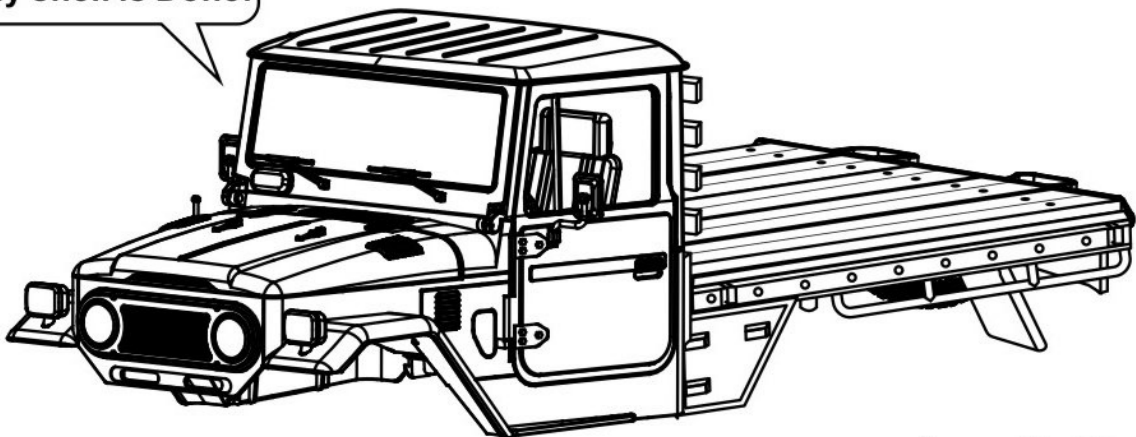
Do observe carefully ya!



Body Shell Assembly

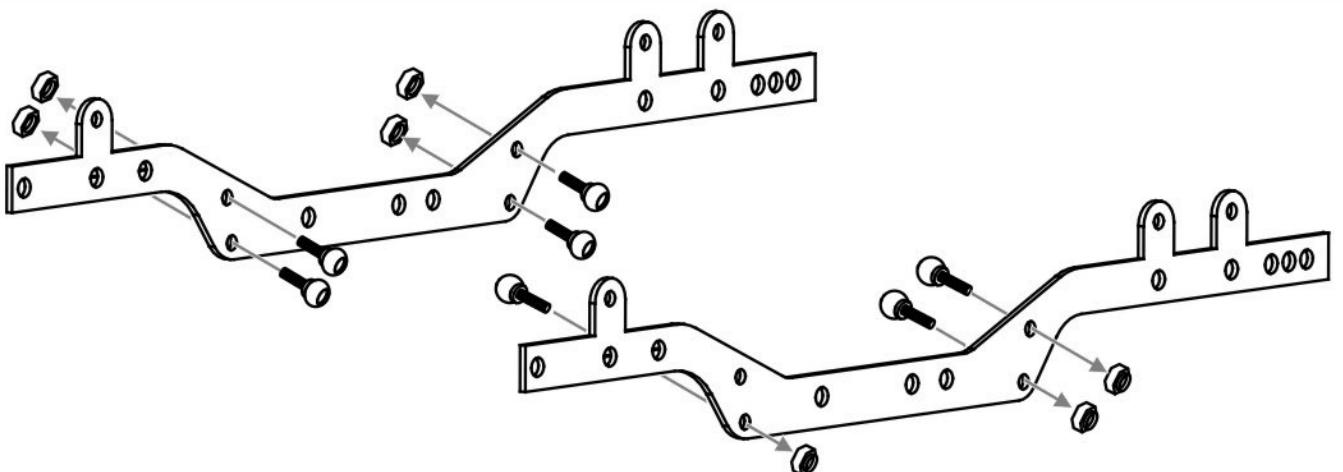
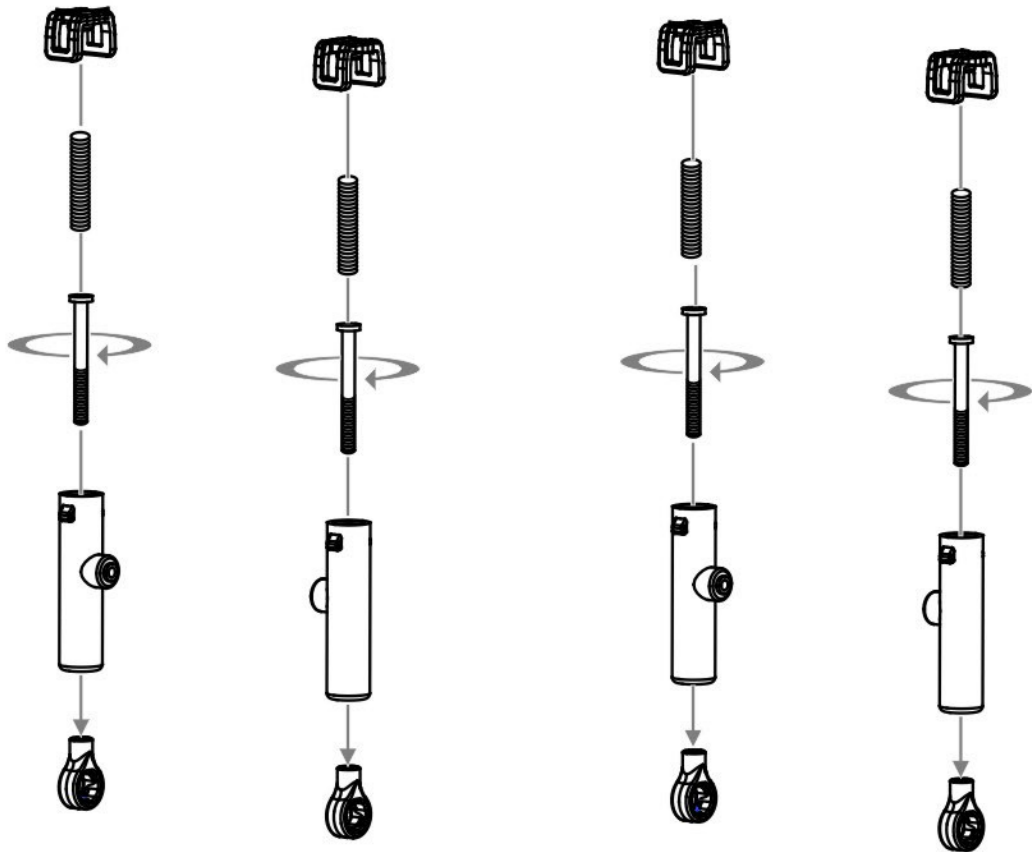
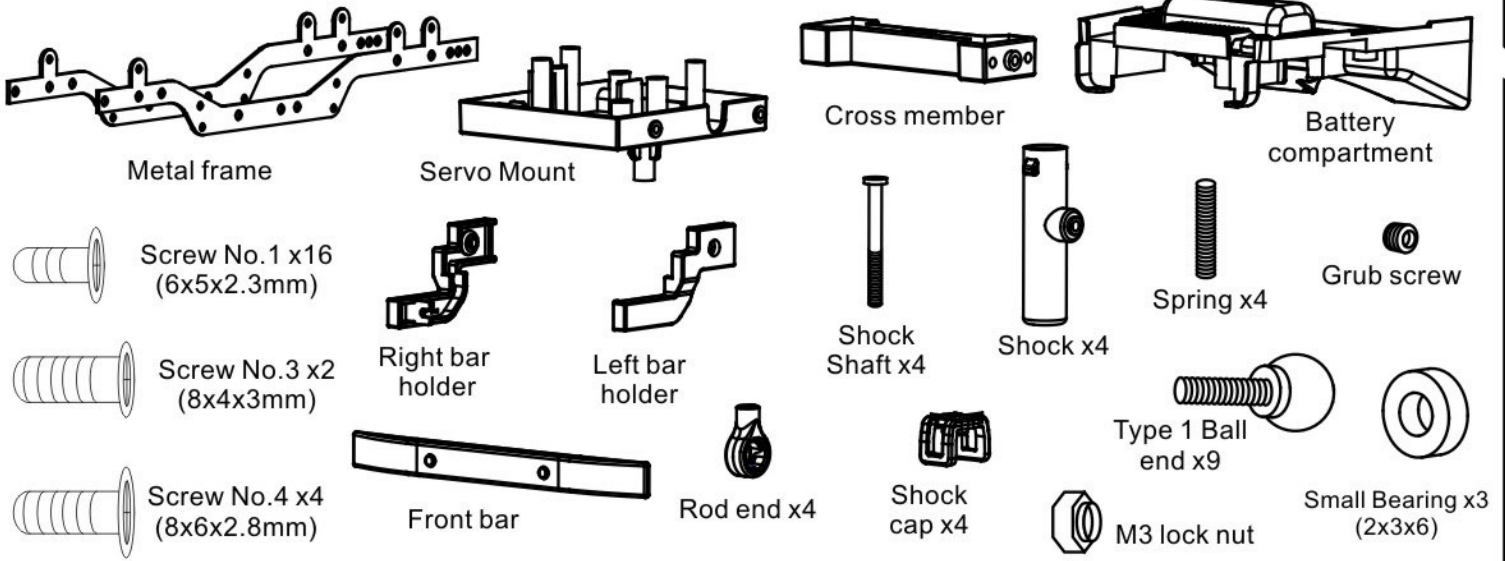


Yeay!
The body shell is Done!



Assembled Body Shell

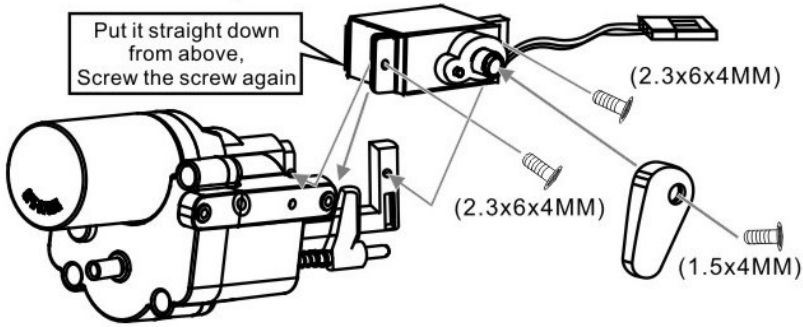
Chassis Assembly



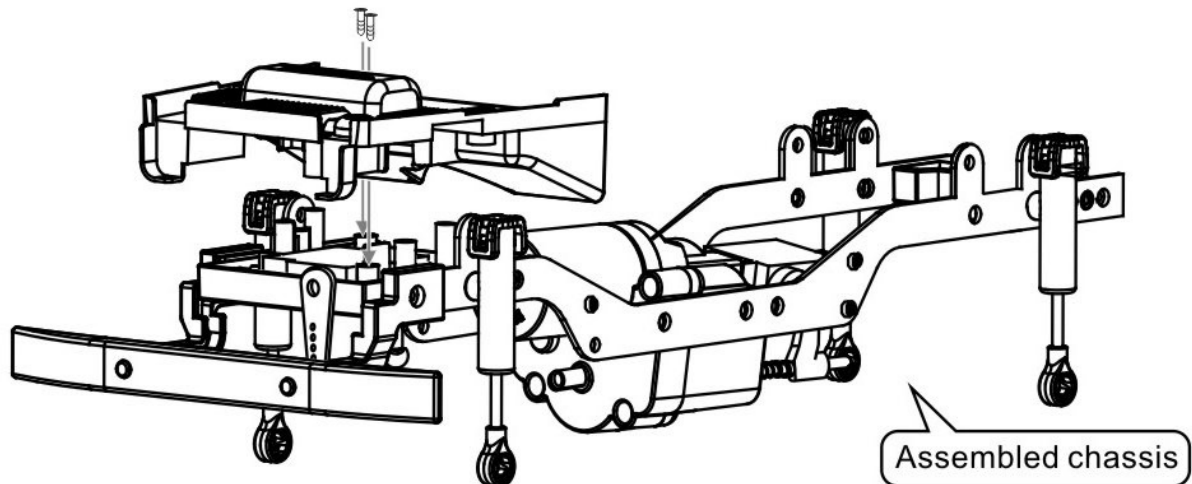
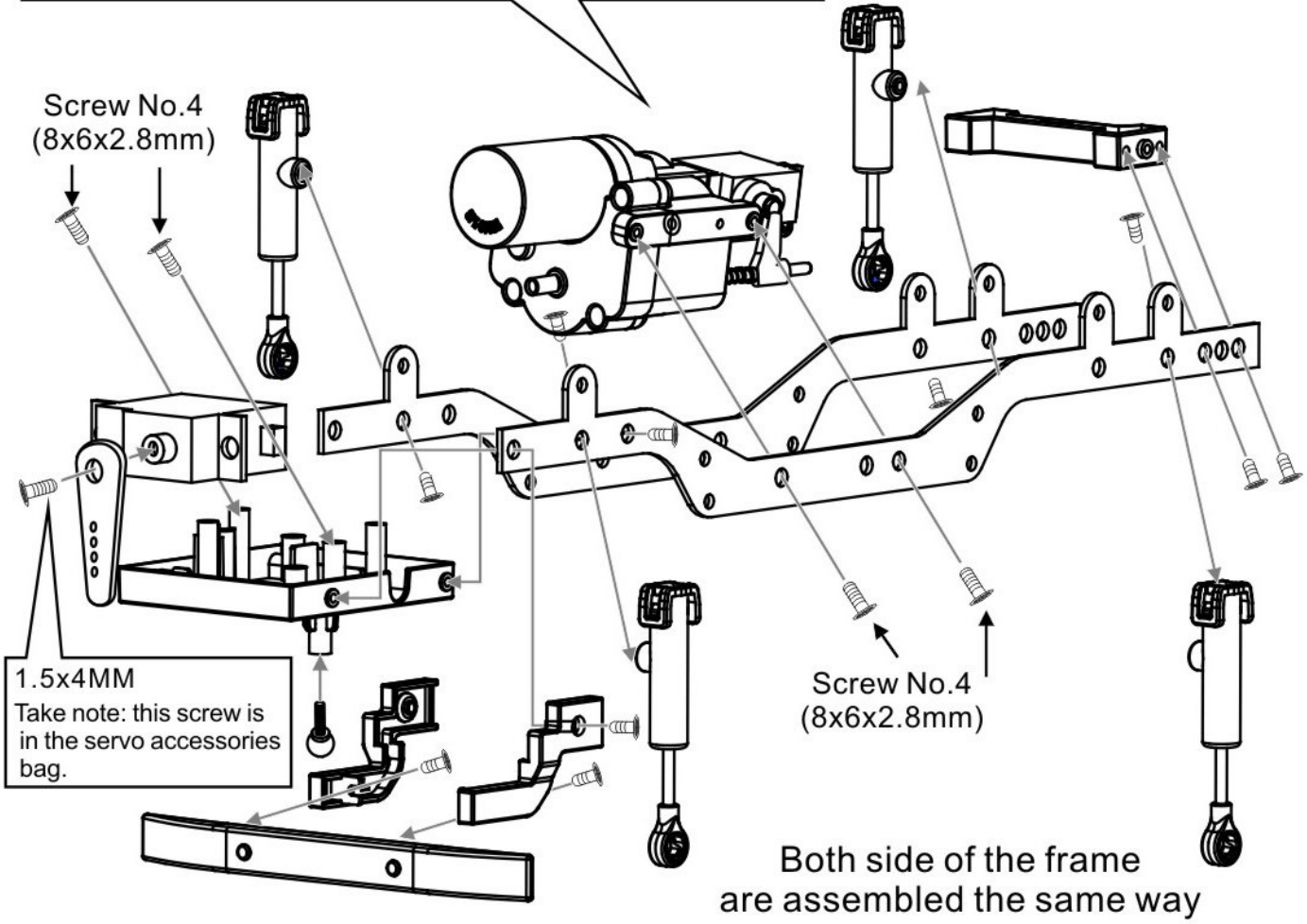
Chassis Assembly

Motor Assembly Illustration

Put it straight down from above, Screw the screw again

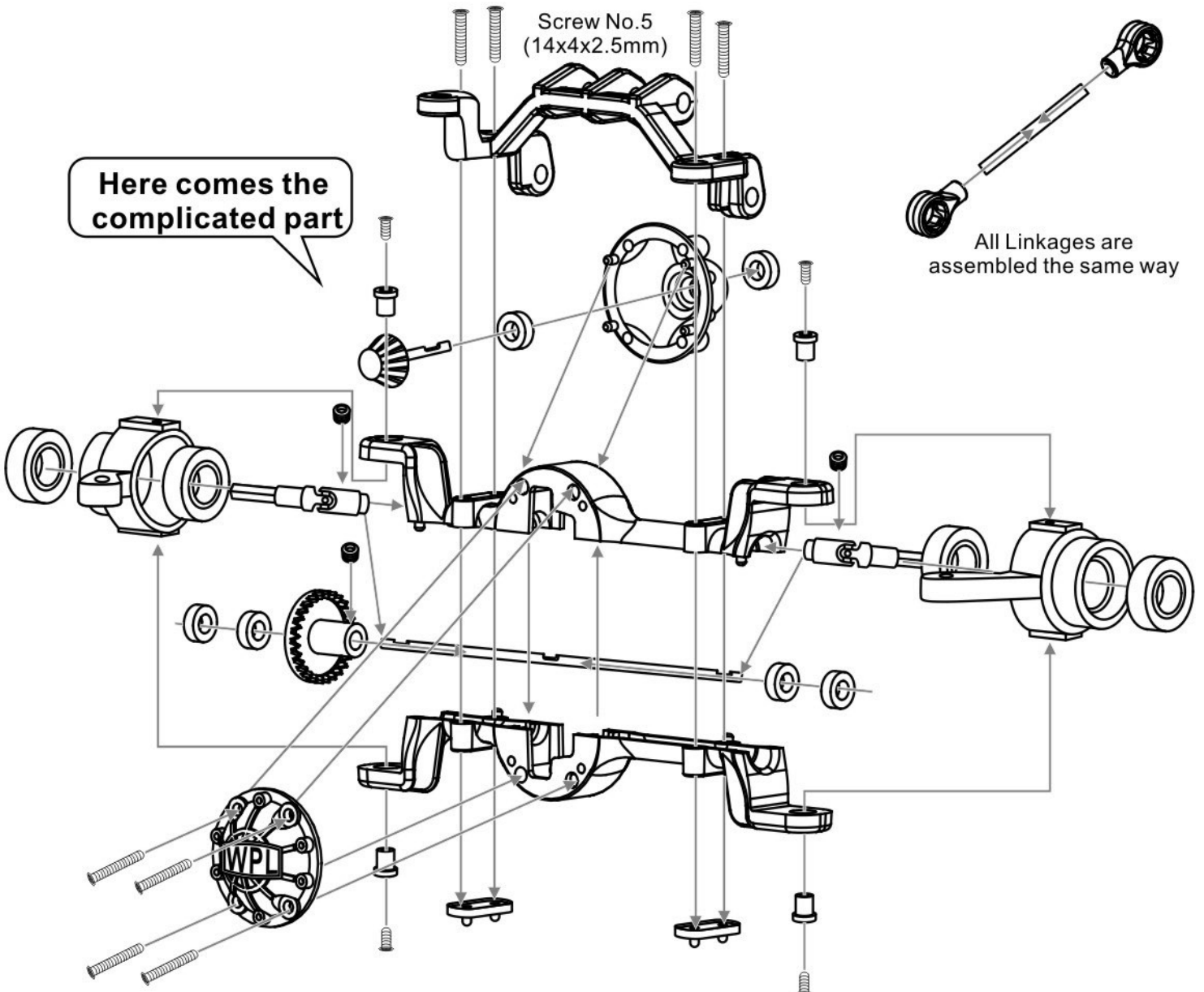
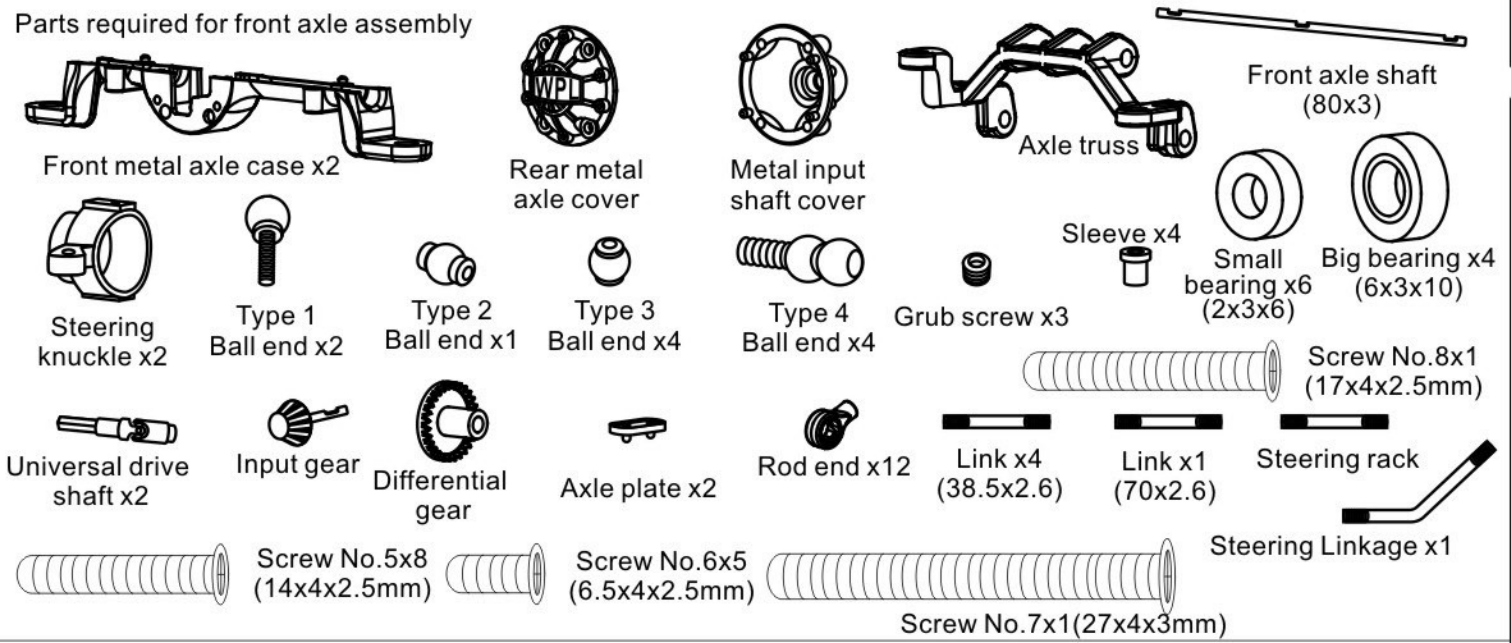


Warning: Do not overtighten screw for the shocks

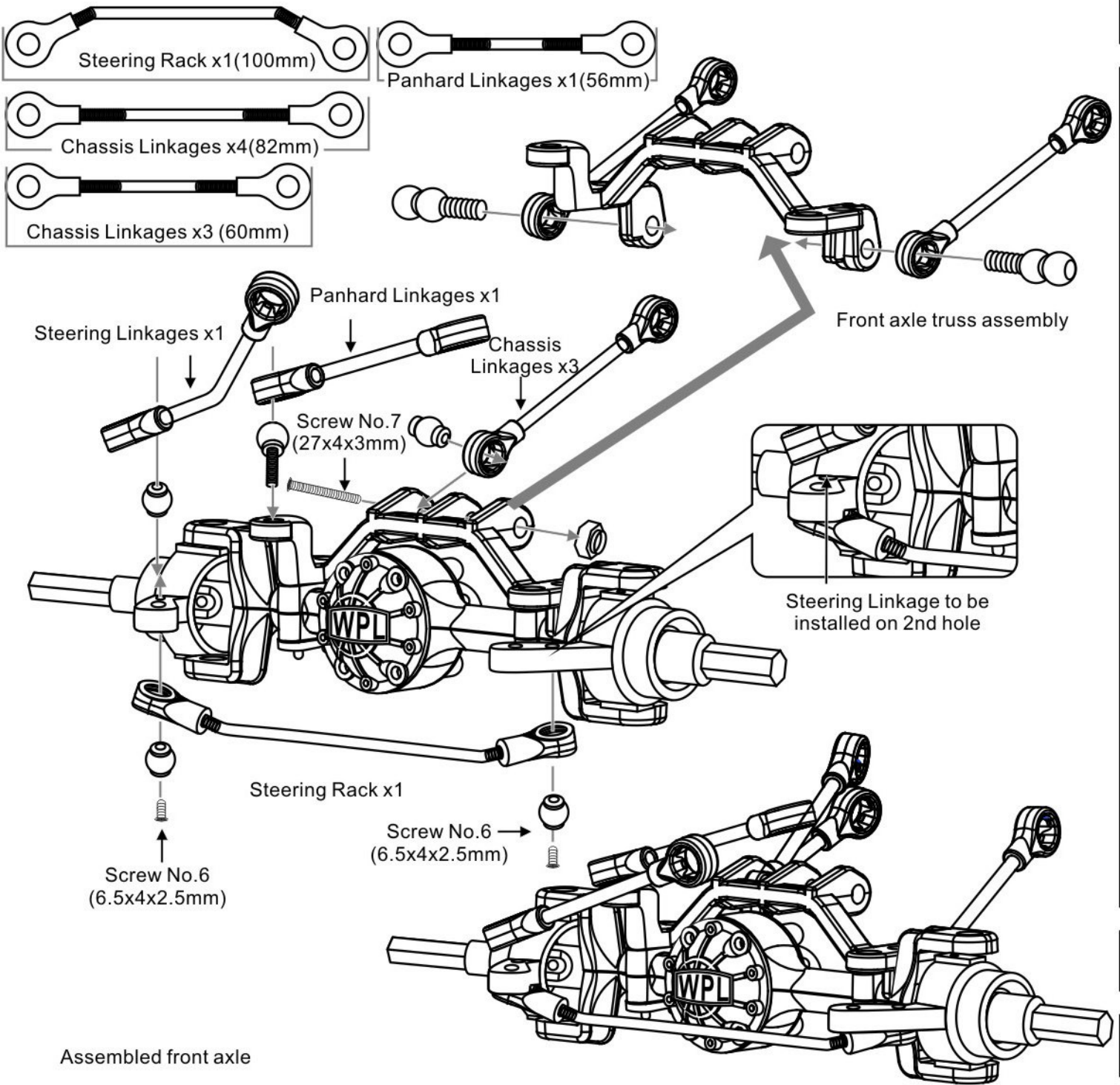


Front & Rear Axle Assembly Instruction

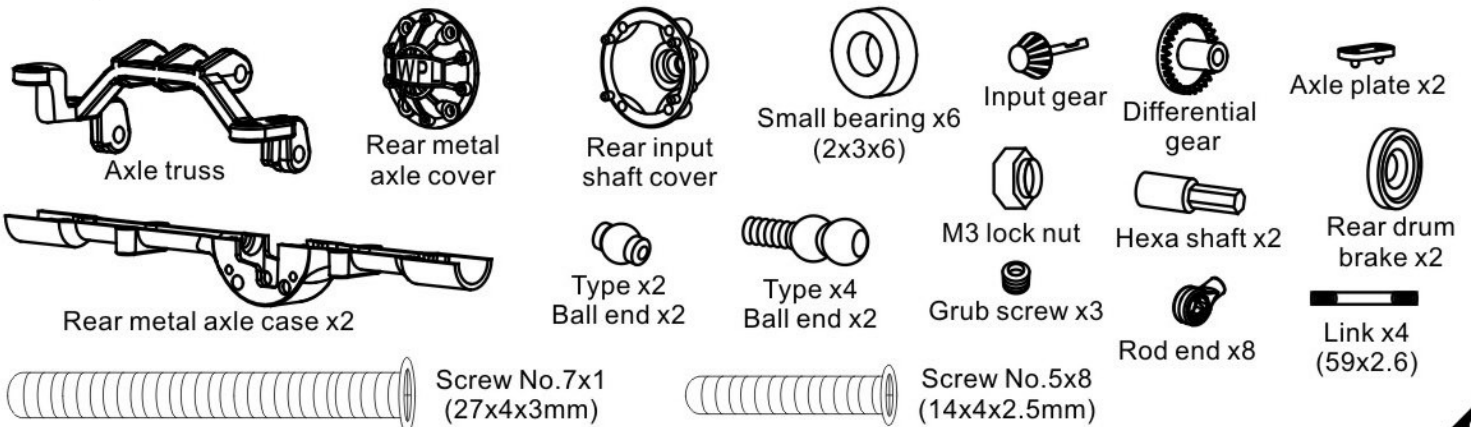
Parts required for front axle assembly



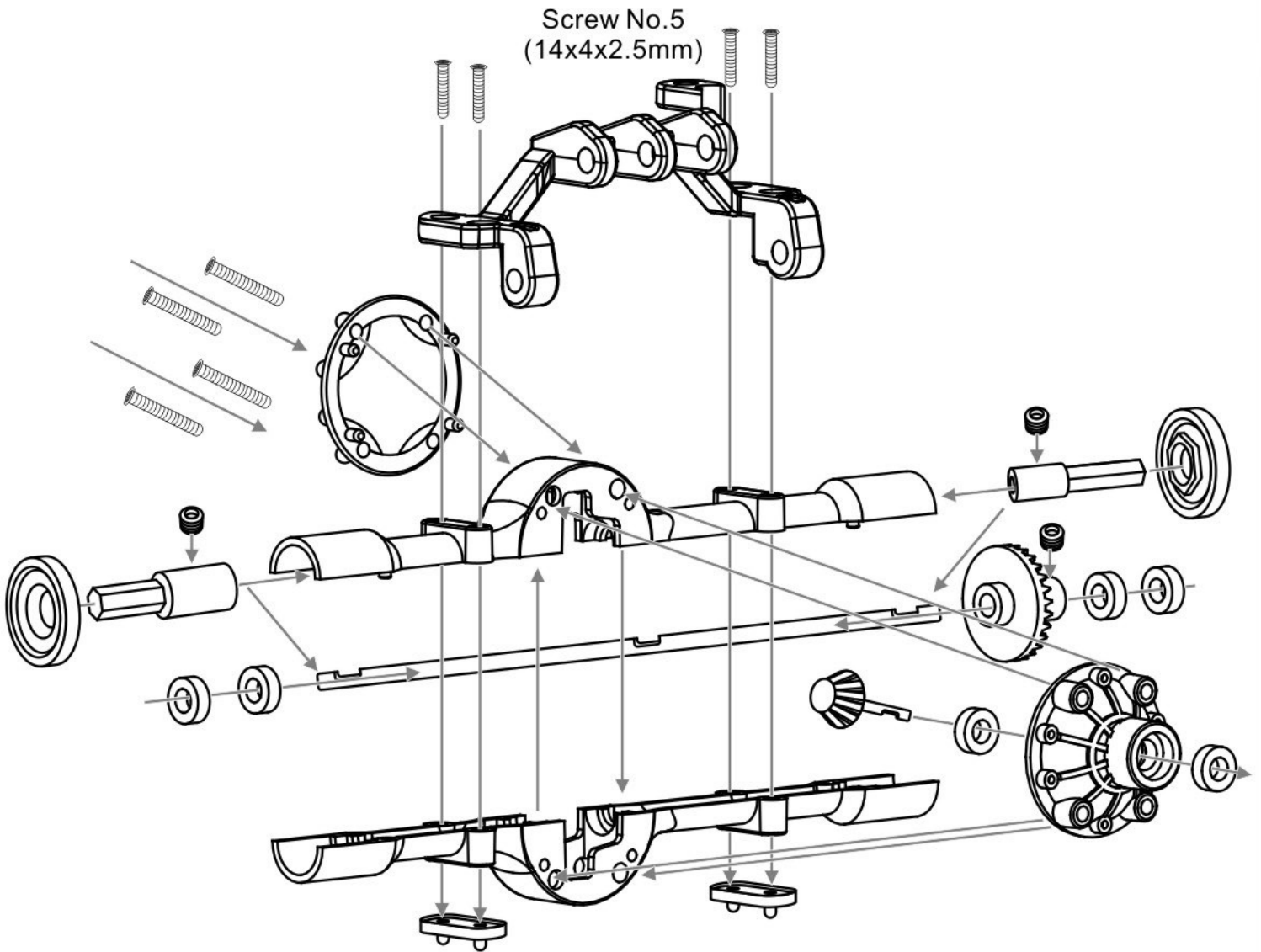
Front & Rear Axle Assembly Instruction



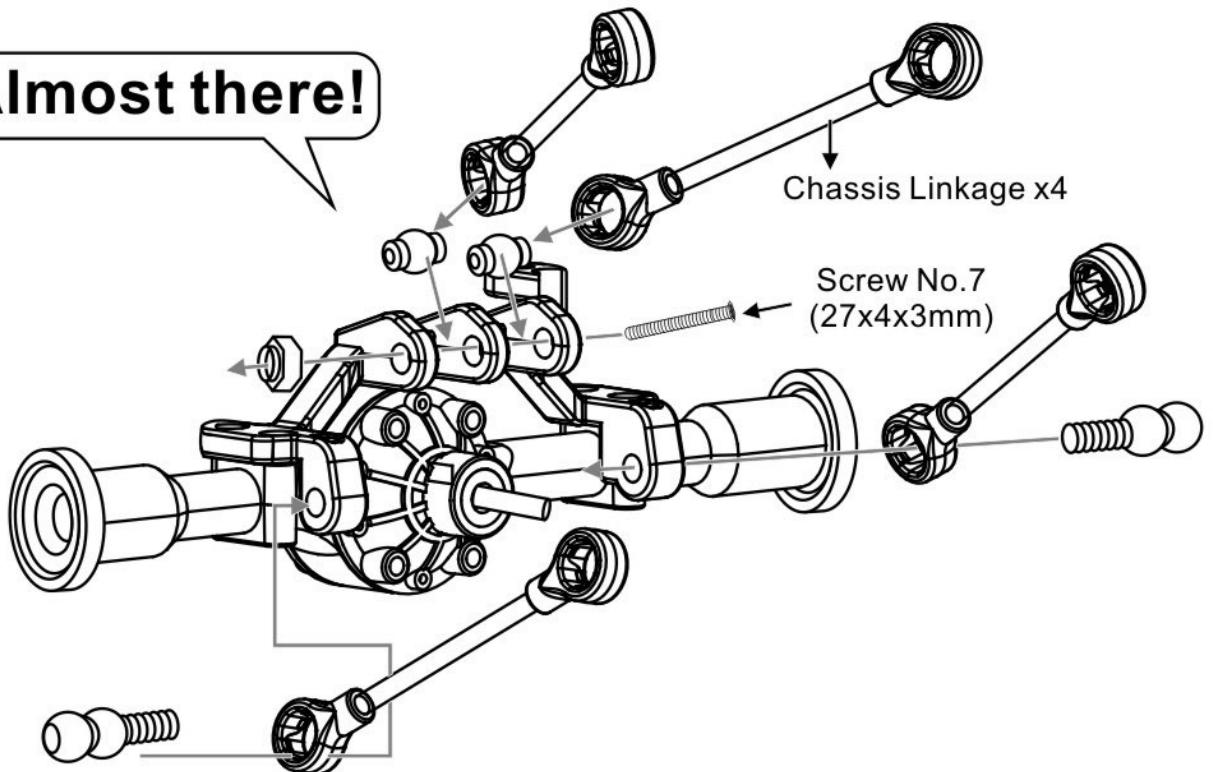
Parts required for rear axle assembly



Front & Rear Axle Assembly Instruction

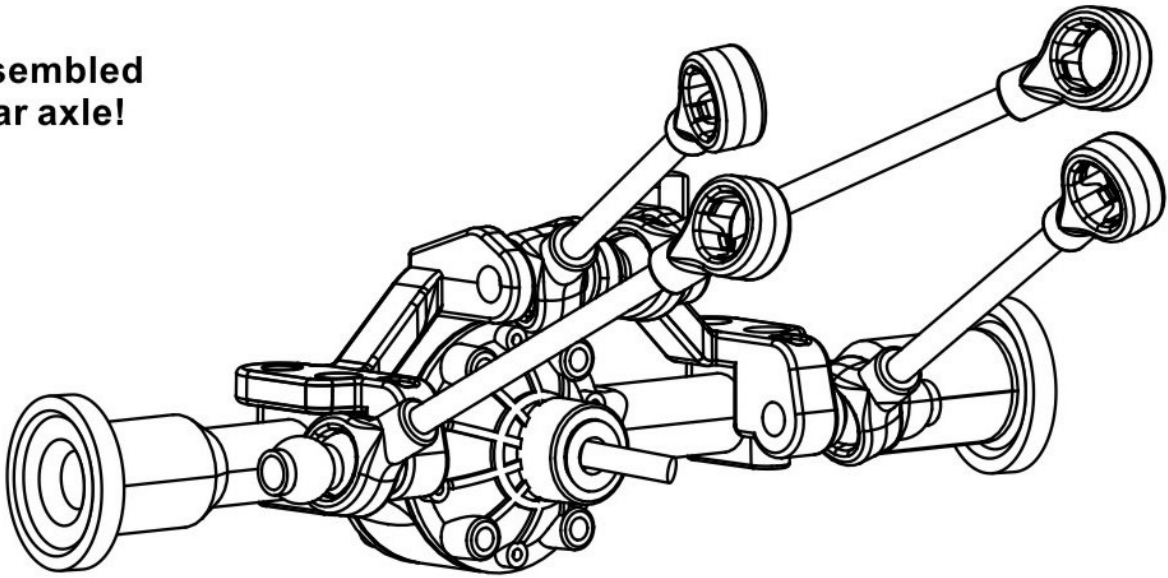


Almost there!

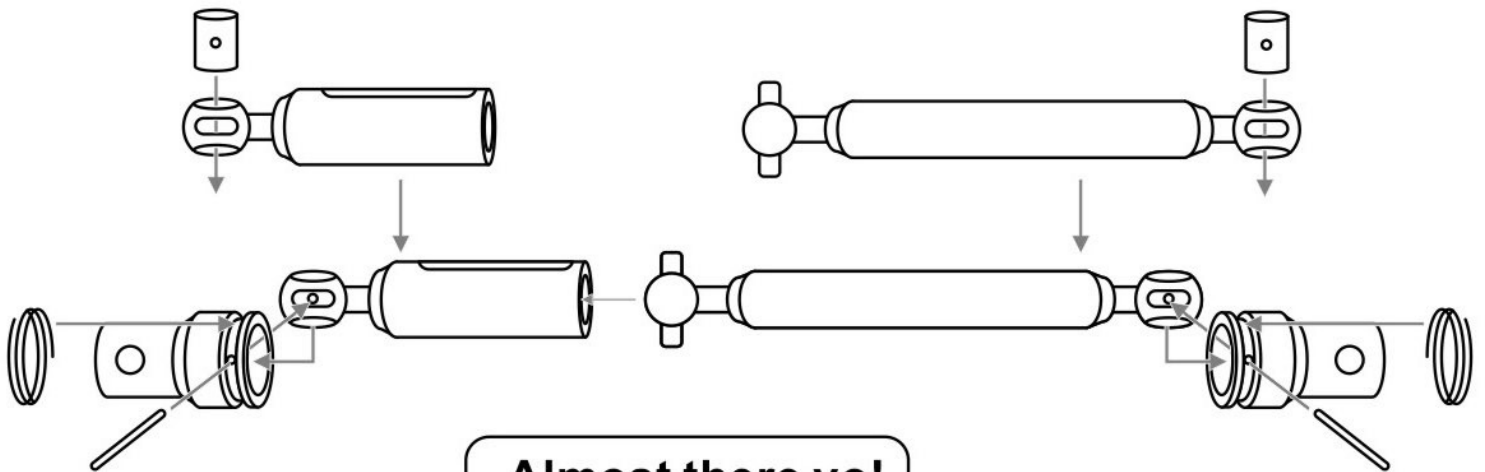
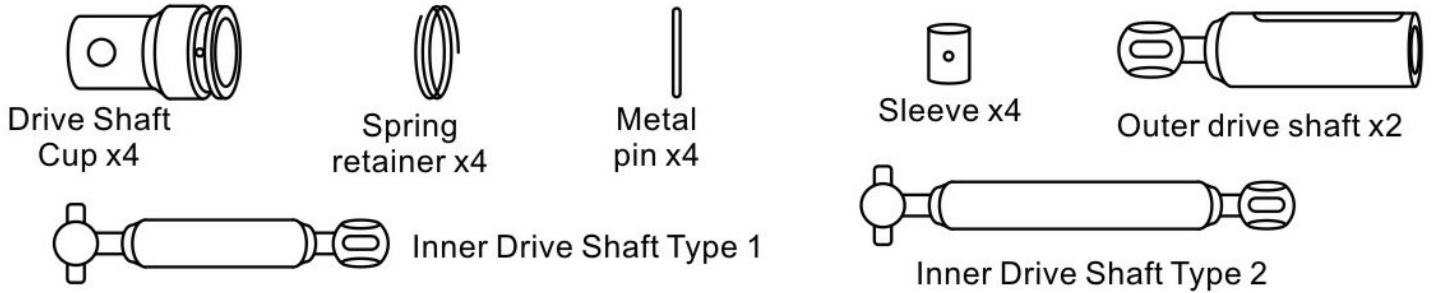


Front & Rear Axle Assembly Instruction

Assembled rear axle!

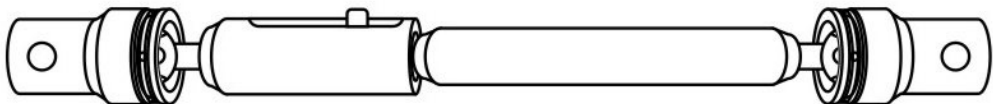


Drive Shaft Assembly



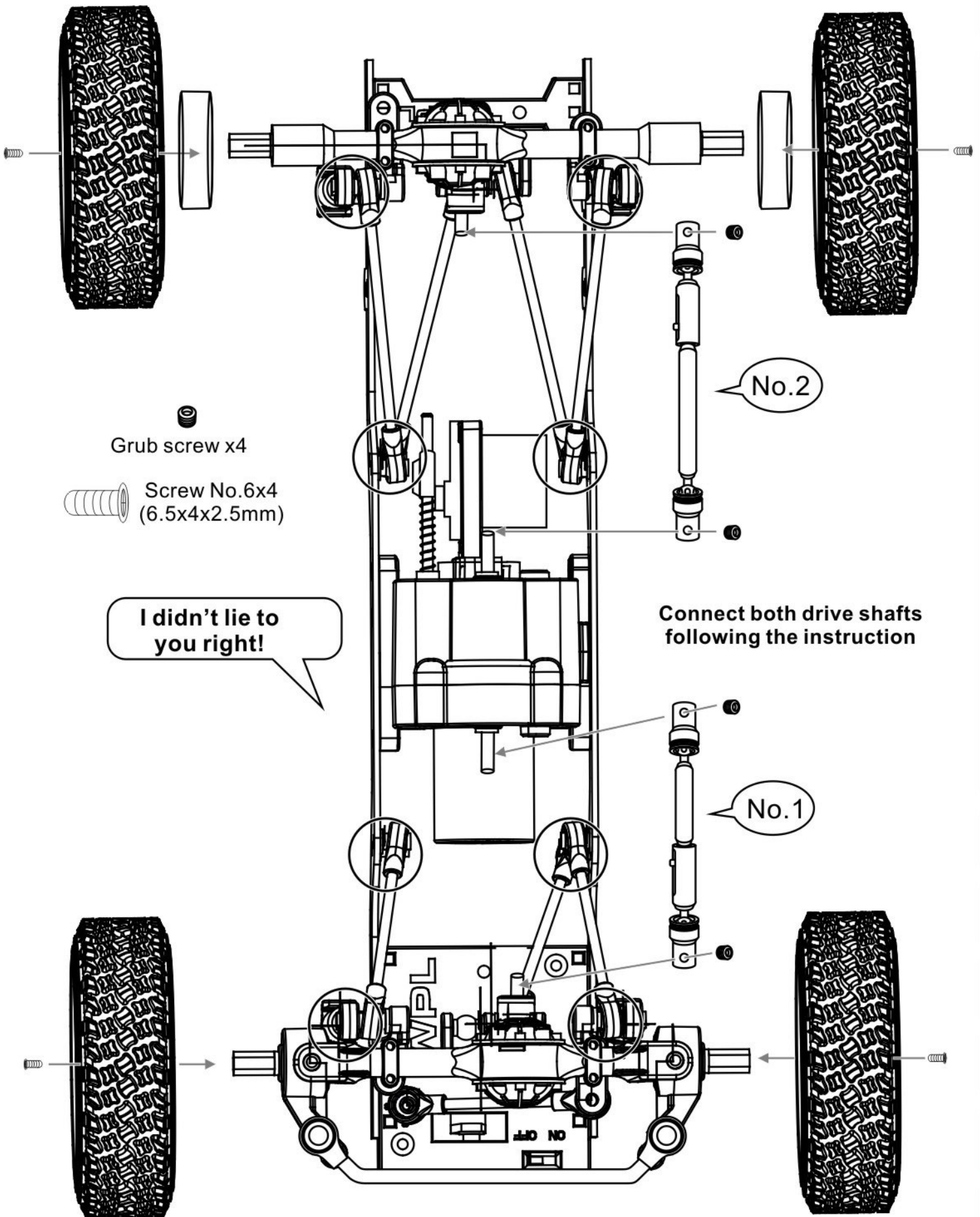
Almost there yo!

Same assembly method applies to another identical drive shaft



Assembled drive shaft

Chassis Assembly



Grub screw x4

Screw No.6x4
(6.5x4x2.5mm)

I didn't lie to you right!

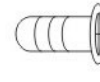
No.2

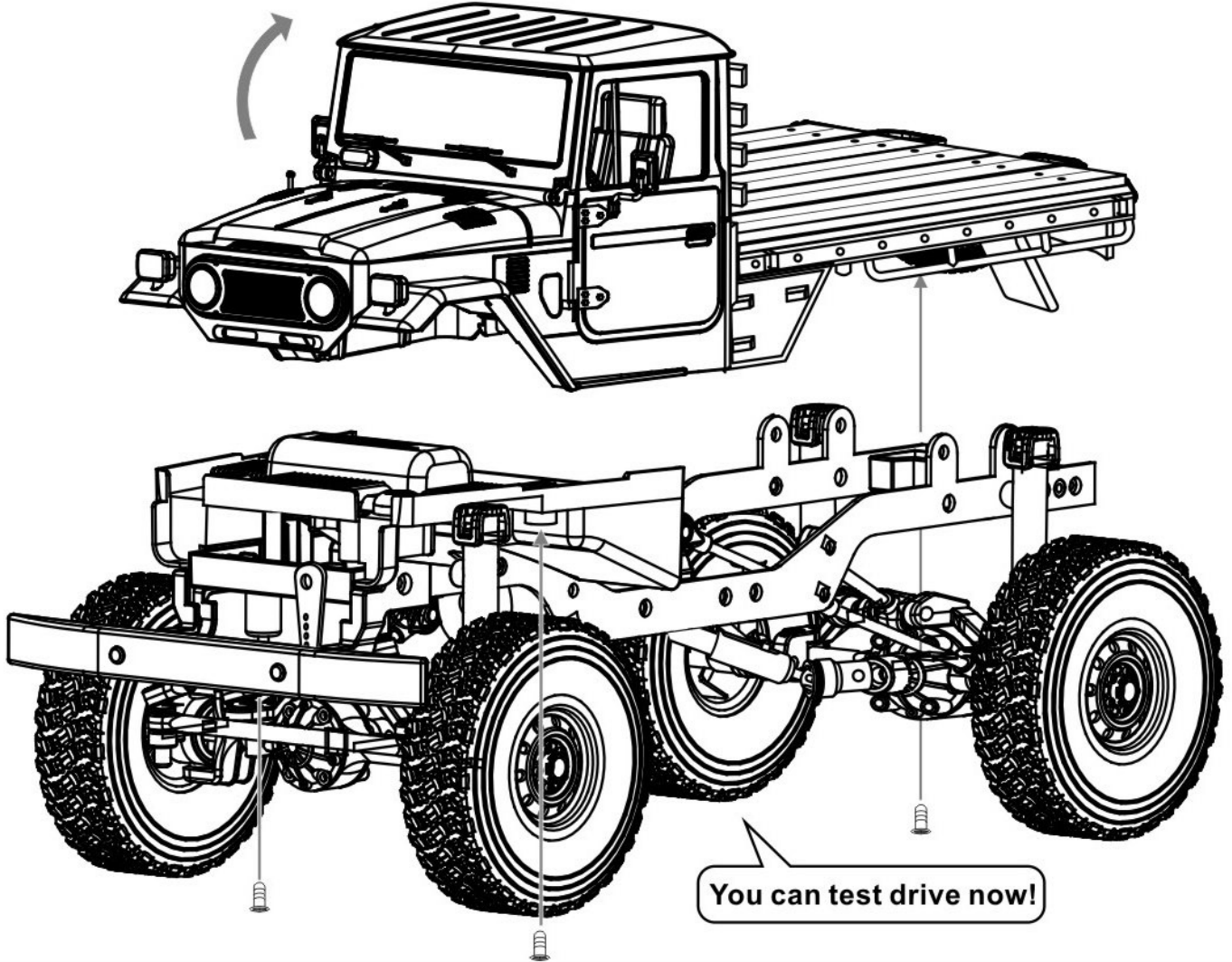
Connect both drive shafts following the instruction

No.1

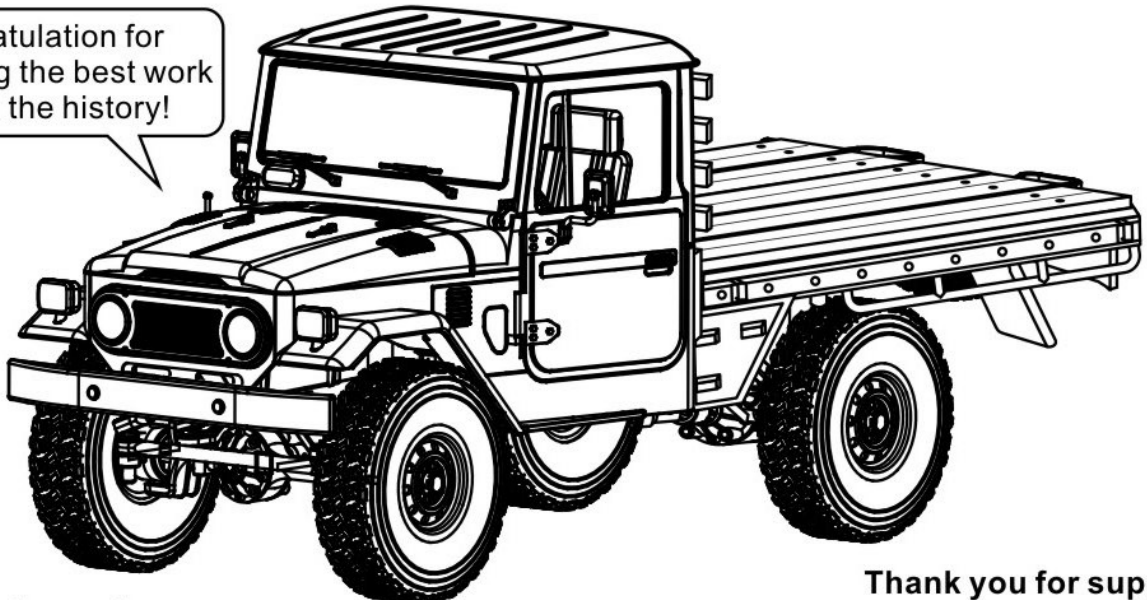
Chassis Assembly

Pop the hood
Install Screw No.2
according to the illustration

 Screw No.2x3
(6x4x2.3mm)



Congratulation for
completing the best work
of art in the history!



Finished product

Thank you for supporting
WPL RC products
Love you! Muakzzz