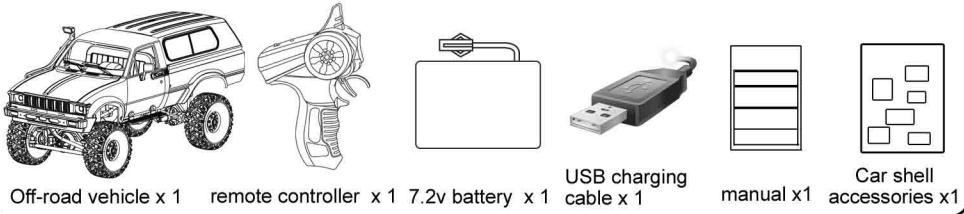


C24/C24K TRUCK OFF-ROAD VEHICLE SUPER SERIES

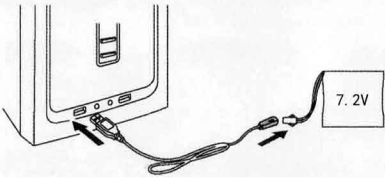
1:16 4X4 R/C HIGH-IMITATION MILITARY OFF-ROAD VEHICLE

Please read this instruction manual carefully before use, and properly keep this manual for future use.

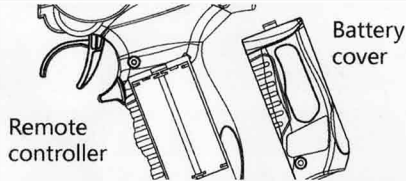
Packing list



Installation and charging method for the batteries of military Off-road vehicle and remote control



Please connect the battery to the charging cable and plug the USB charging cable into the computer's USB connector or USB adapter charger or the car's USB connector. Then switch on the power. USB interface voltage is 5V±0.5V, the charging time is 120 mins.



Battery cover

Installation method of remote control battery
(1) Open the battery cover on the backside of the remote control.
(2) Insert 2×1.5V "AA" batteries with correct direction and cover the battery cover.



when charging is completed, open Battery cover of the truck and put the batteries into the battery compartment.



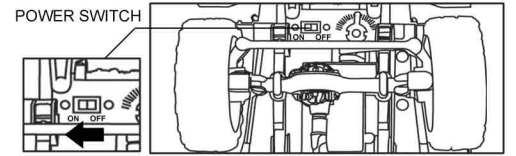
connect the battery pack to the interface of truck body, and close Battery cover.

cautions

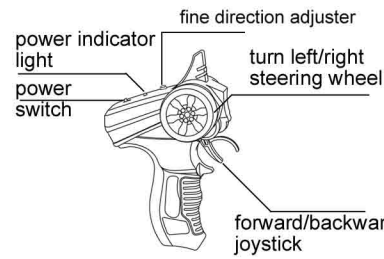
- Pay attention to the direction when installing or replacing batteries;
- Do not use non-rechargeable batteries;
- When charging the rechargeable battery, adult guardianship is required;
- Do not mix old and new batteries or different types of batteries;
- During the operation, please pay attention to the nearby interference signal, otherwise the remote control distance will be affected;
- If the speed of the off-road vehicle becomes more and more slow, it means the battery power is low; please charge the military truck as per the above method.
- Please replace the battery in the following cases: the battery of the remote control is low; it is unable to charge the truck and the charging indicator becomes dark or is not turned on.
- Please take out the battery in the remote control and put the power switch of the truck to the "OFF" position if the truck is not used for a long time.

Operation Method

1 Turn on the remote control switch first, and put the power switch of the truck to the "ON" position. And put the truck on the ground.



2 Function of remote control



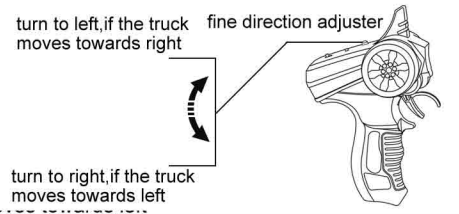
1. when control joystick pull backward, the car will go forward, when control joystick push forward, the car will go backward. When the joystick is pulled back to a half, the car will move forward slowly. When the joystick is fully pulled back, the car will move forward at full speed.



2. Turn left clockwise, the car will go leftward; Turn right counterclockwise, the car will go rightward.

3 Direction Fine adjustment method

Adjust the fine direction adjuster at the front end of the bottom of the truck to adjust the straight driving performance of the truck. If the truck moves towards left when moving forward, please turn adjustment pointer towards left and if the truck moves towards right when moving forward, please turn adjustment pointer towards R, until the truck can move straightly.



Troubles Eliminating Methods

Problems	Causes	Solution
Unable to control the truck	Battery power is low or no power	Replace the battery and put the switch at the OFF position to save energy.
	Incorrect installation of battery	Correctly install the battery and pay attention to the direction.
	Switch is at the OFF position	Check if the switches on the truck and remote control are turned on.
Truck moves too slowly	Battery power is low or no power	Replace the battery and put the switch at the OFF position to save energy.
	The truck moves out of control range	If the truck moves more and more slowly, please take the remote control near the truck.
Unable to move straightly	The truck moves out of control range	Adjust the front wheel adjustment pointer at the front end of the truck. If the truck moves towards right, please turn the pointer towards right and if the truck moves towards left please turn the pointer towards left.

WARNING:

Choking hazard-the toy contains small parts and is not suitable for children under the age of 3.

PRECAUTIONS OF CHARGER

The charger shall be subject to regular inspection for the damage of wire, Plug, shell and other parts. Once the charger is found damaged, do not use it until it is repaired.



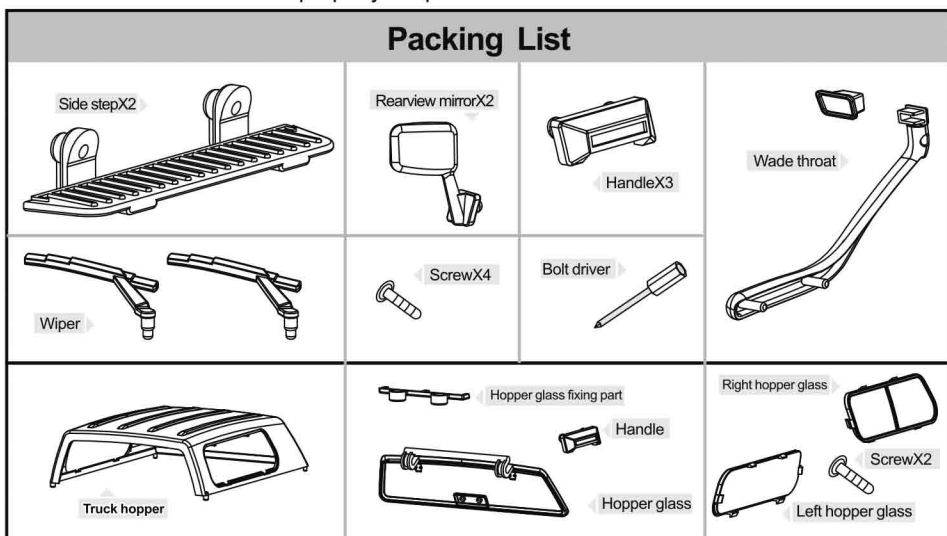
MADE IN CHINA

NO. C24 NO. C24-1

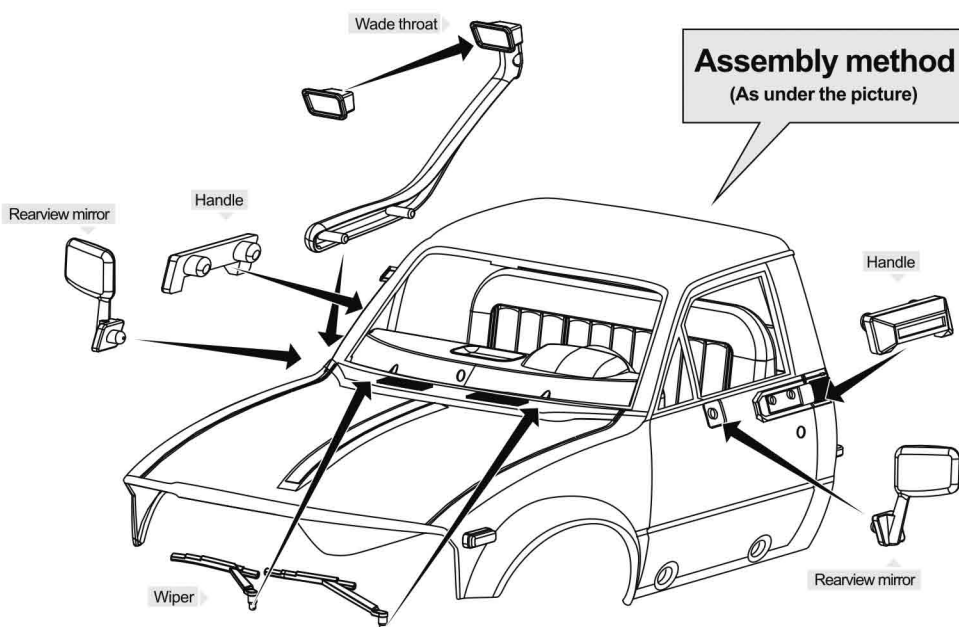
C24/C24-1 OFF ROAD VEHICLE • ASSEMBLY INSTRUCTIONS

Please read this instruction manual carefully before use, and properly keep this manual for future use.

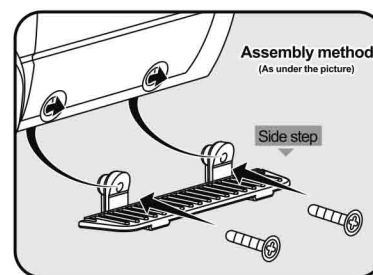
Packing List



Assembly Drawing 1



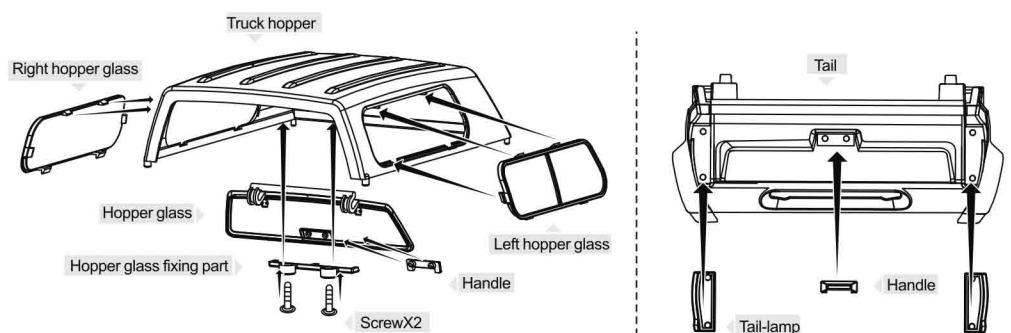
Assembly Drawing 2



Side step Installation method:

Please follow the diagram and point the side pedal to the door, and use 2 the screws hold it (on the other side of the same method).

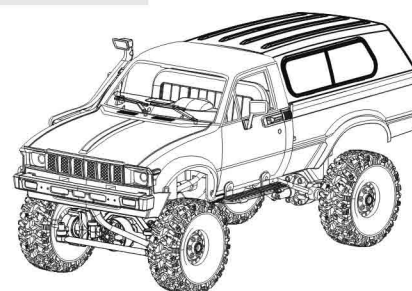
Assembly Drawing 3



Tip of UV sticker:

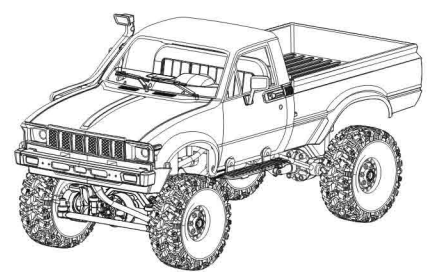
This product contains UV sticker, please press the sticker before using, tear out and paste on the corresponding part of the car, tear open the transparent film after pressing it. (some narrow places can be done by using auxiliary tools.)

Completed View



NO. C24

Note: Different model with different appearance, please refer to the actual product.



NO. C24-1