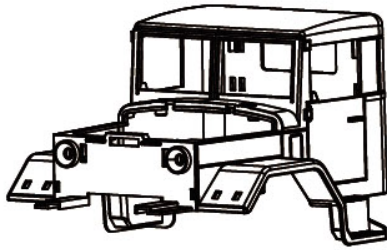
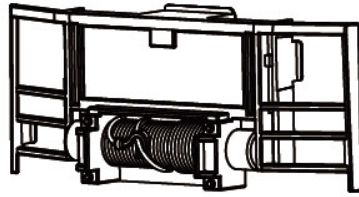


• CAR SHELL - PARTS LIST •

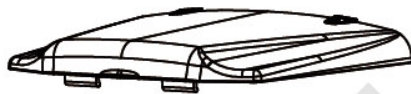
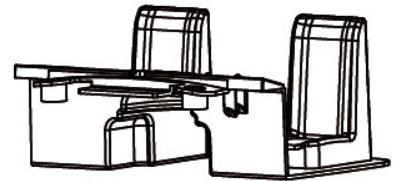
Front shell



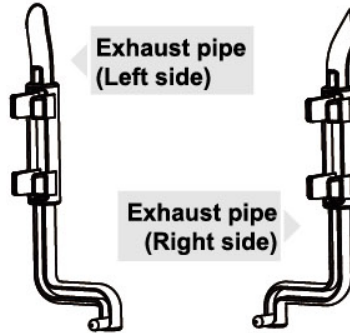
Front cover



Seat

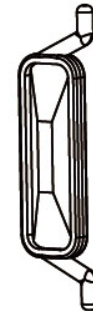


Engine cover



Exhaust pipe (Left side)

Exhaust pipe (Right side)



Rear view mirror X 2

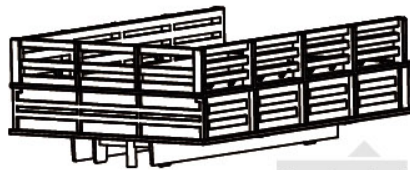
Bumper



Rearview mirror seat X 4



Spare tire rack



Car bucket

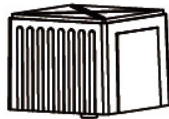


steering wheel

Spare parts for spare tire



Spare tire storage tank



Fender X 2



Fog lamps X 2



Right drag coupler



Left drag coupler

• TRUCK BOTTOM - PARTS LIST •

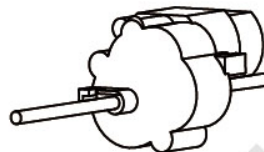


Battery box



Girder

Crossbeam



Power wave box



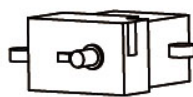
Fixed pin X 2



Slide pin X 2



steering shell



Tail light component

Steering gear

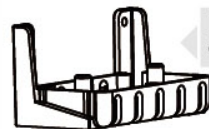


Wave tank shell

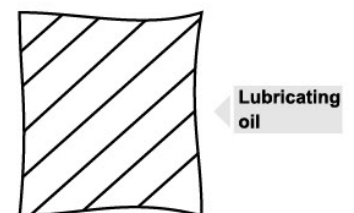
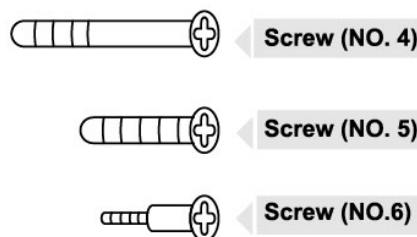
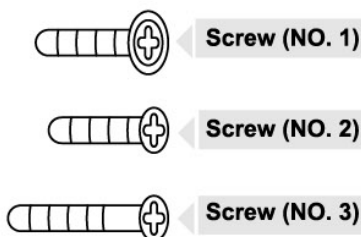
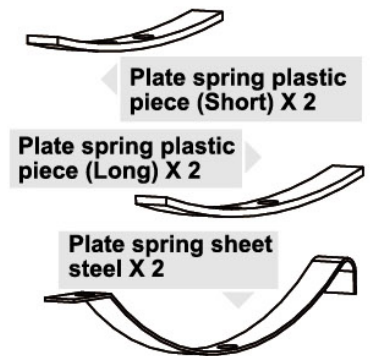
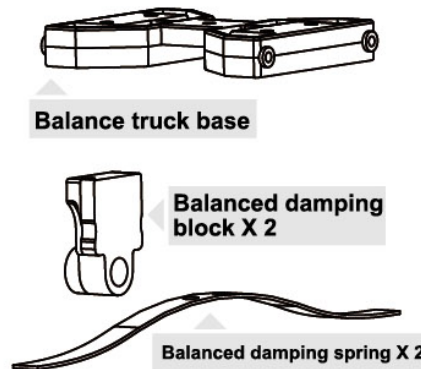
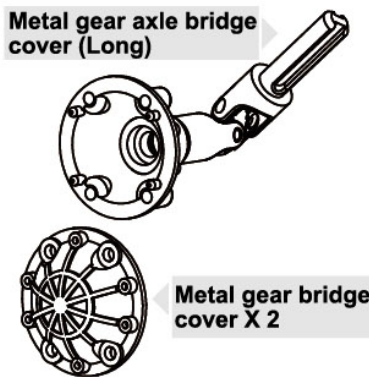
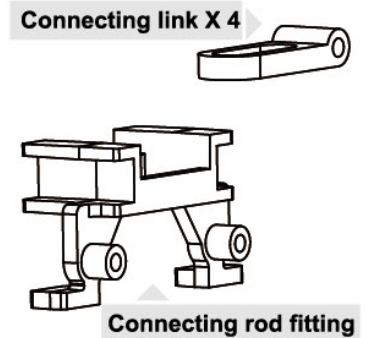
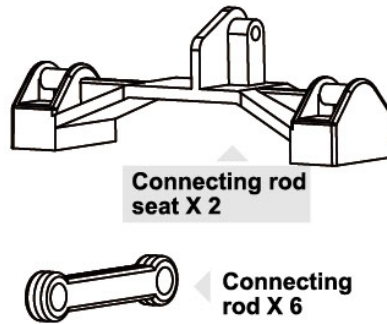
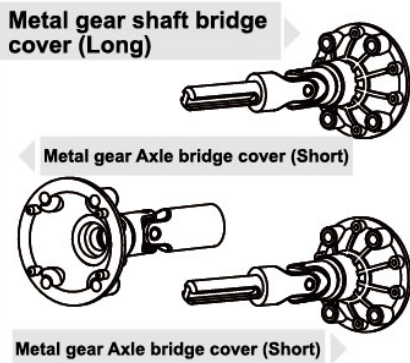
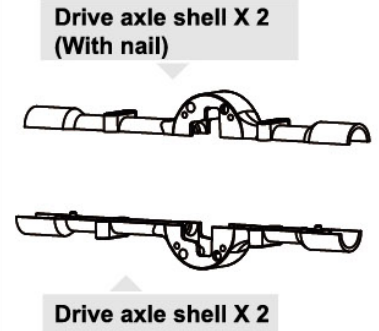
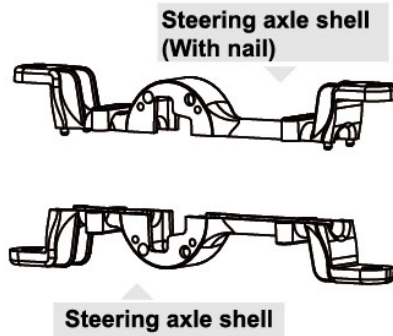
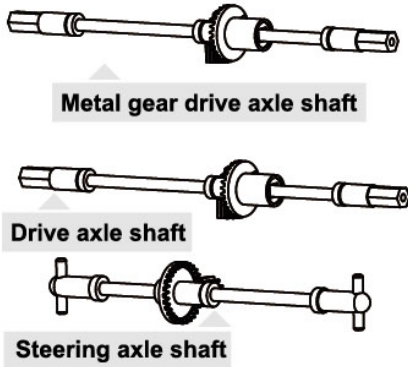
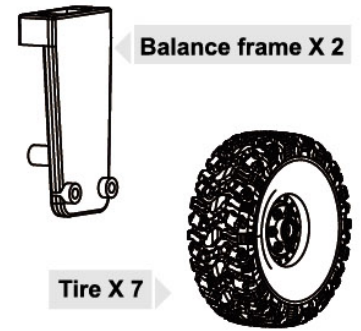
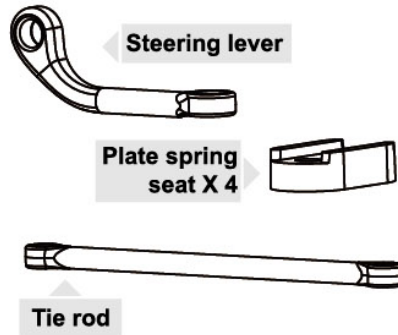
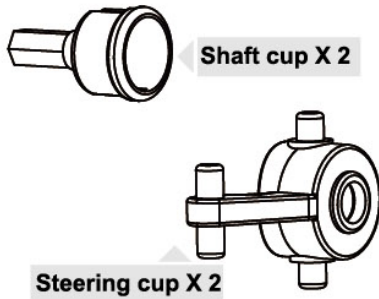
Tank top X 2



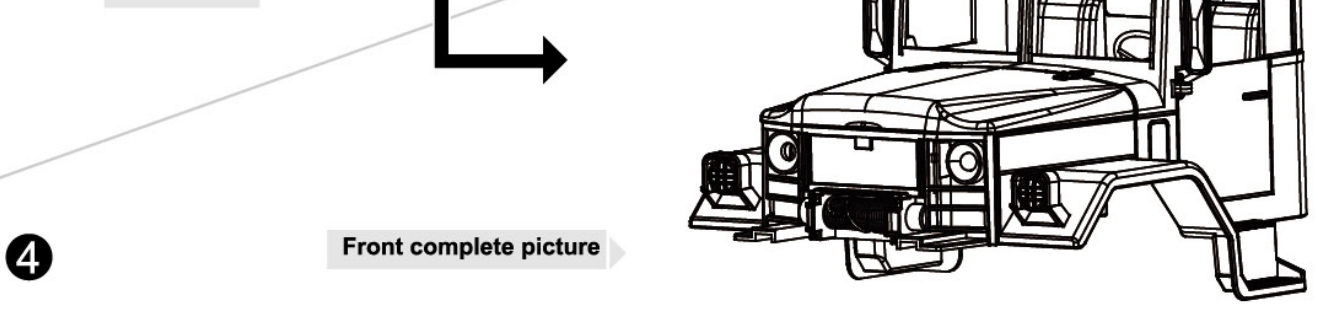
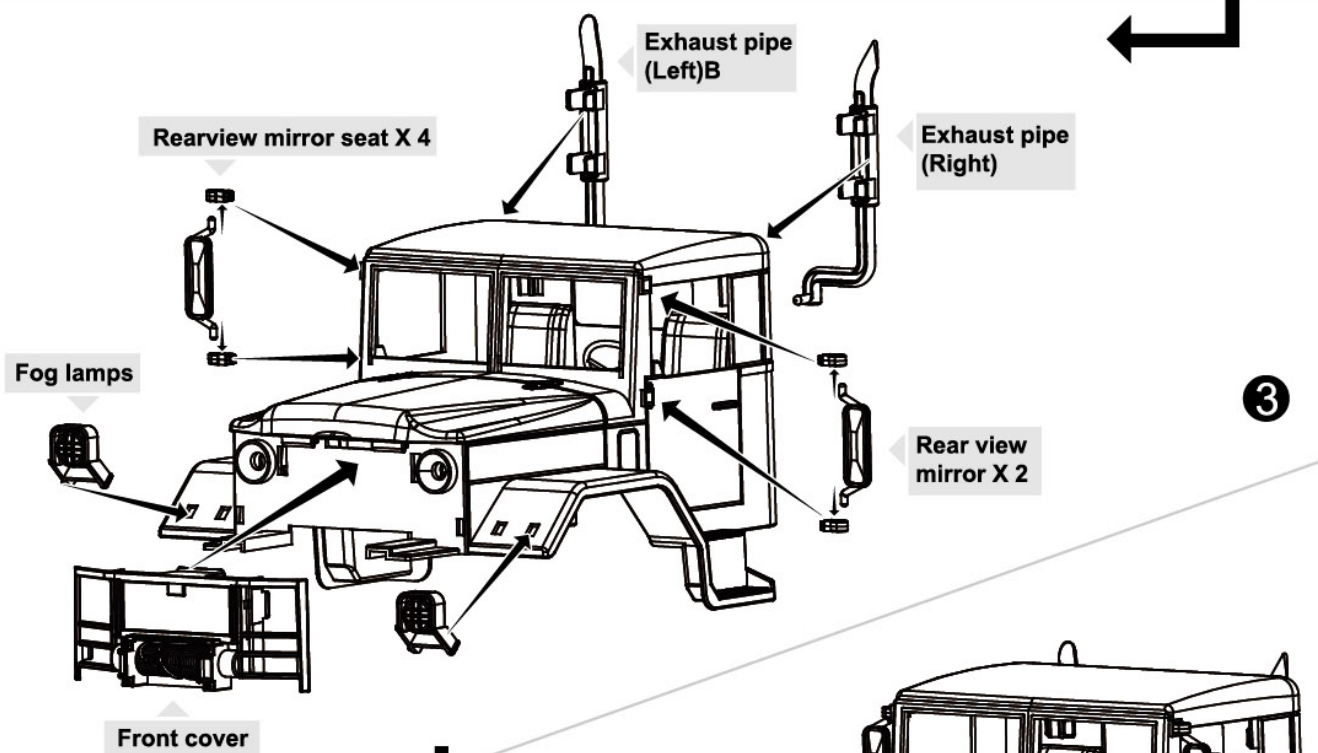
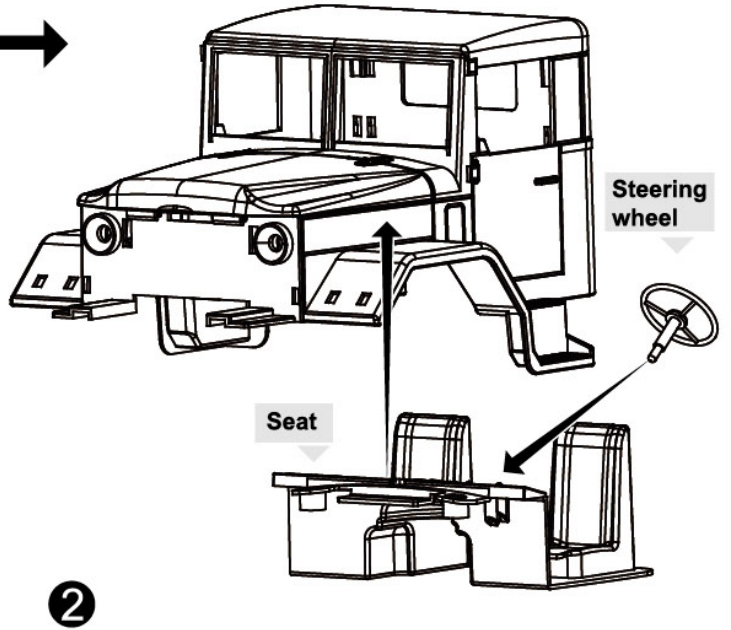
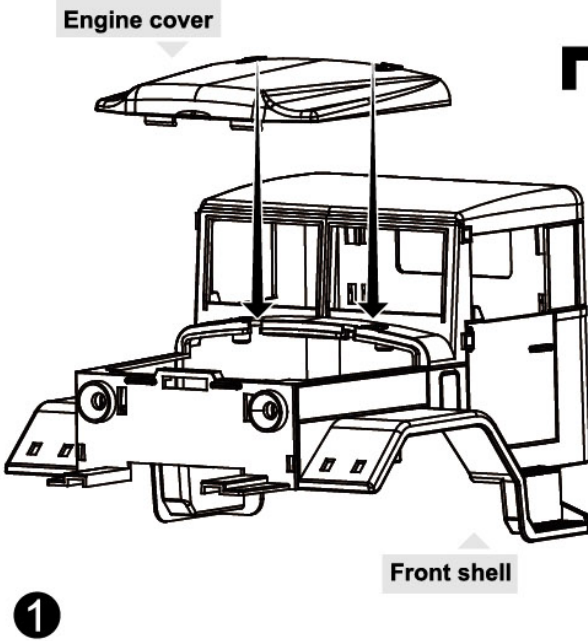
Bottom cover X 2



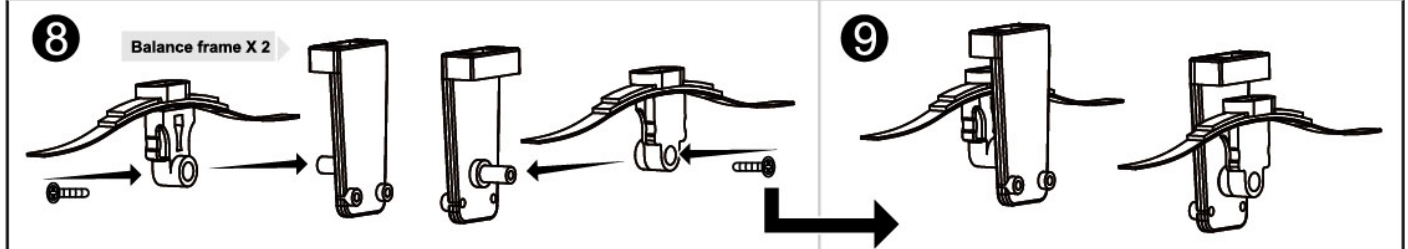
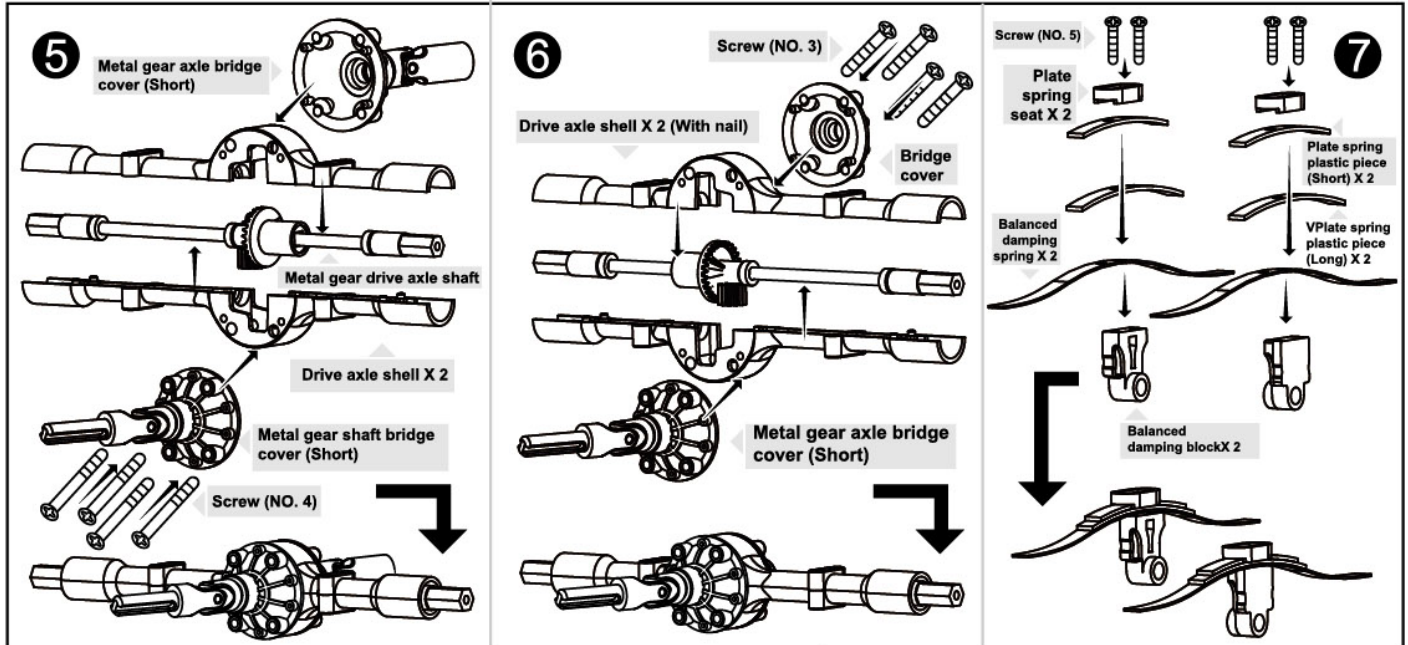
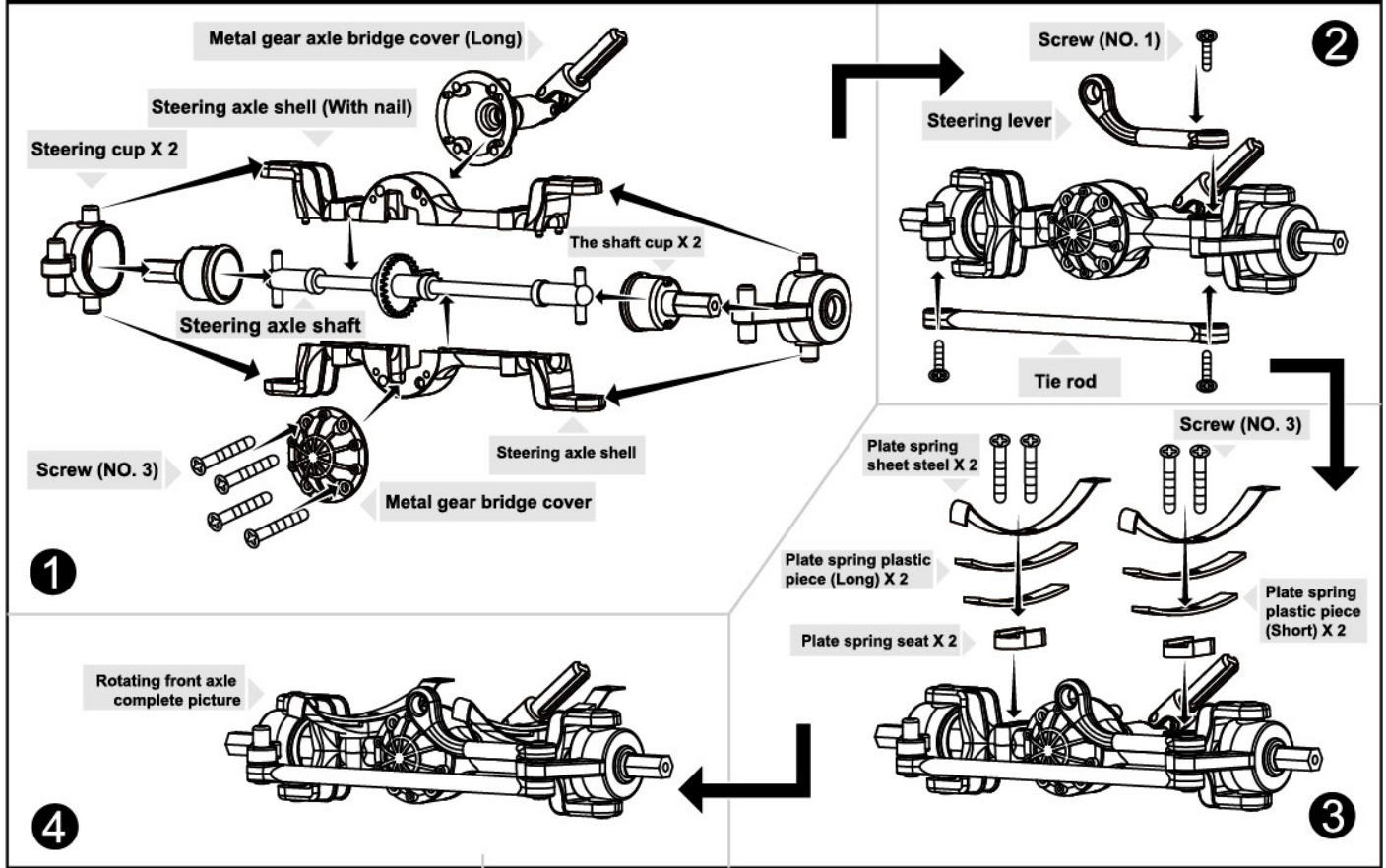
• SHAFT - PARTS LIST •



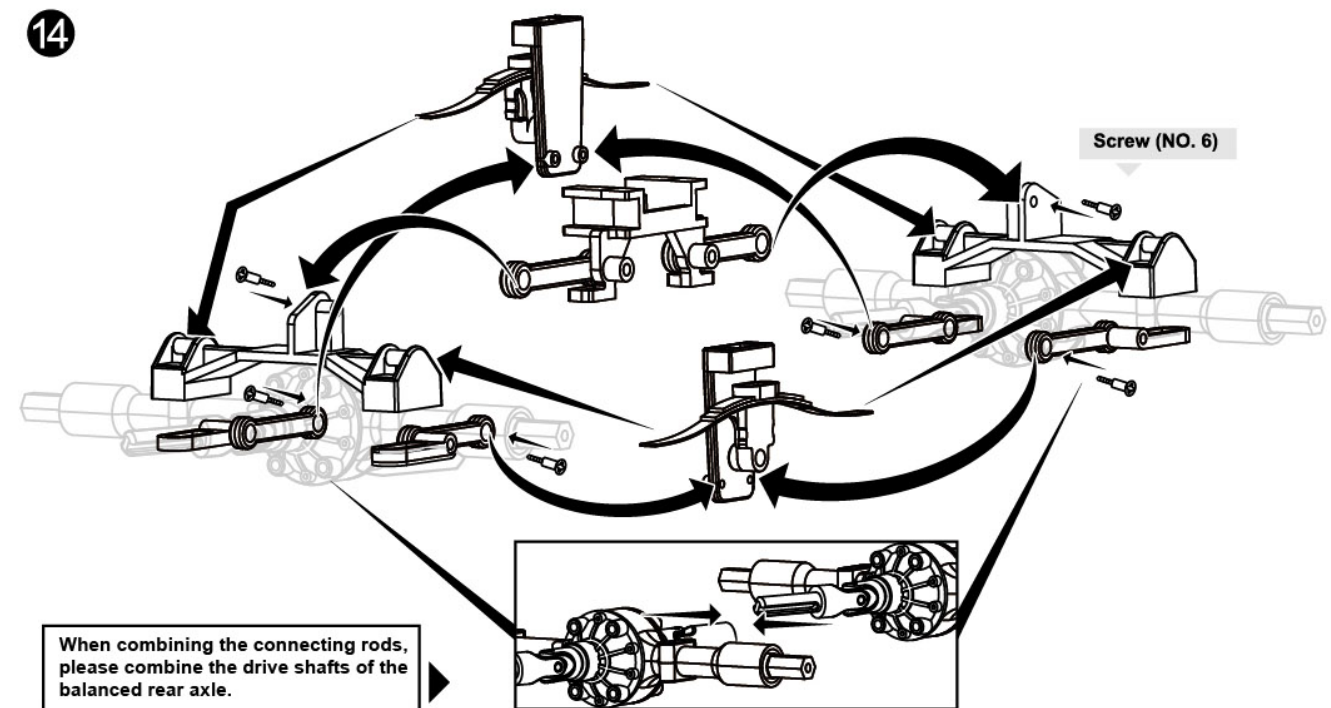
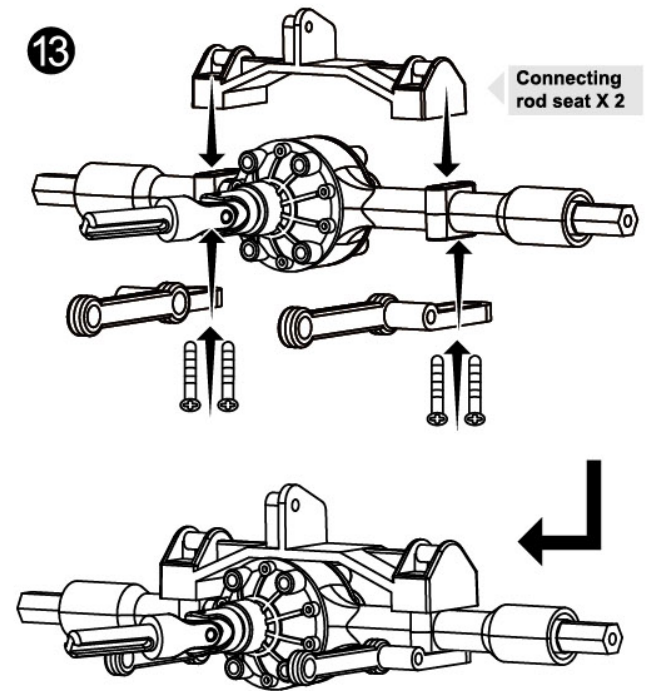
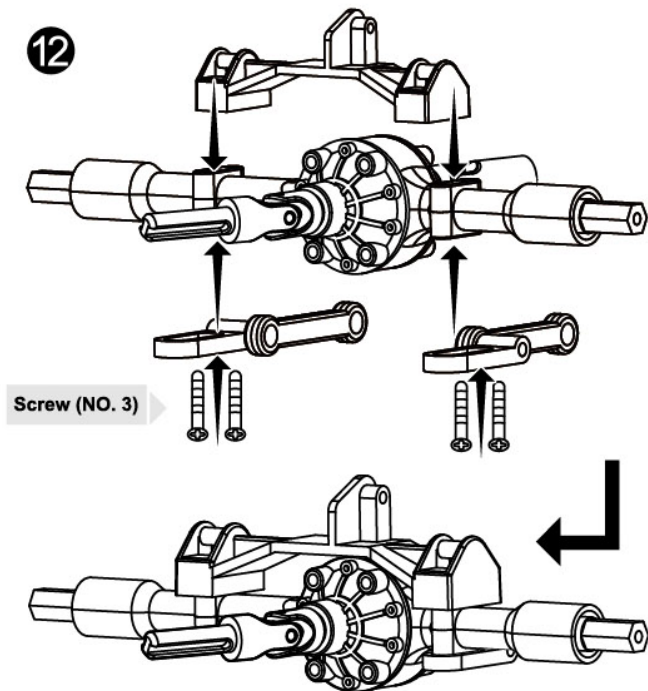
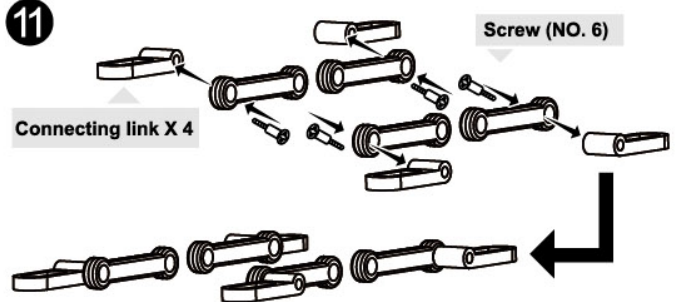
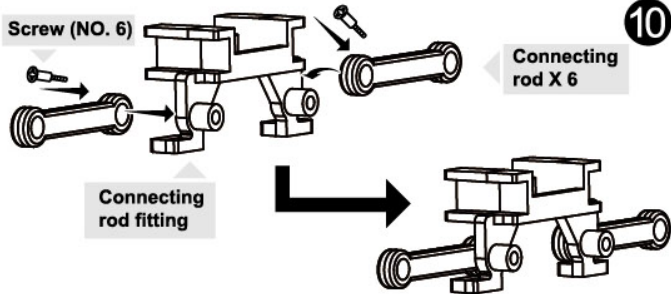
• FRONT INSTALLATION METHOD •

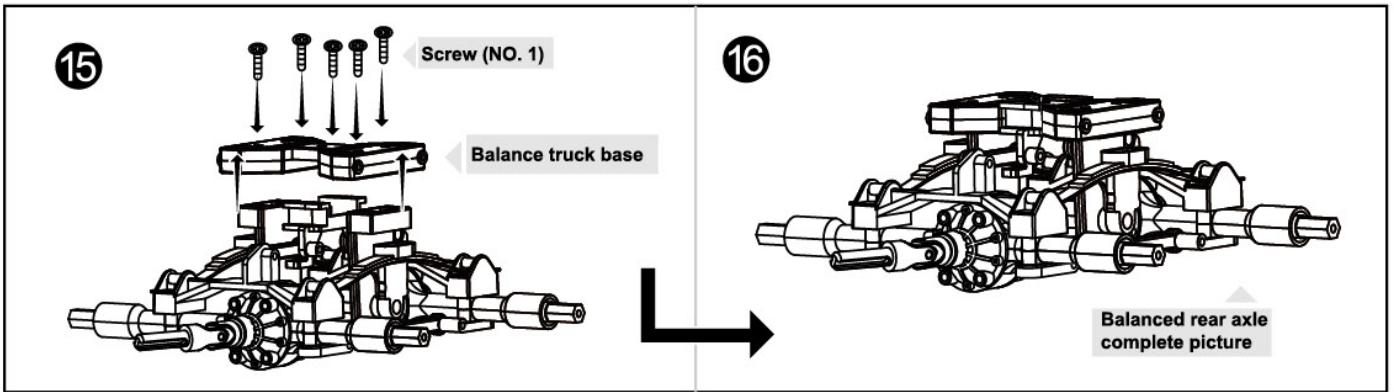


• SHAFT INSTALLATION METHOD •

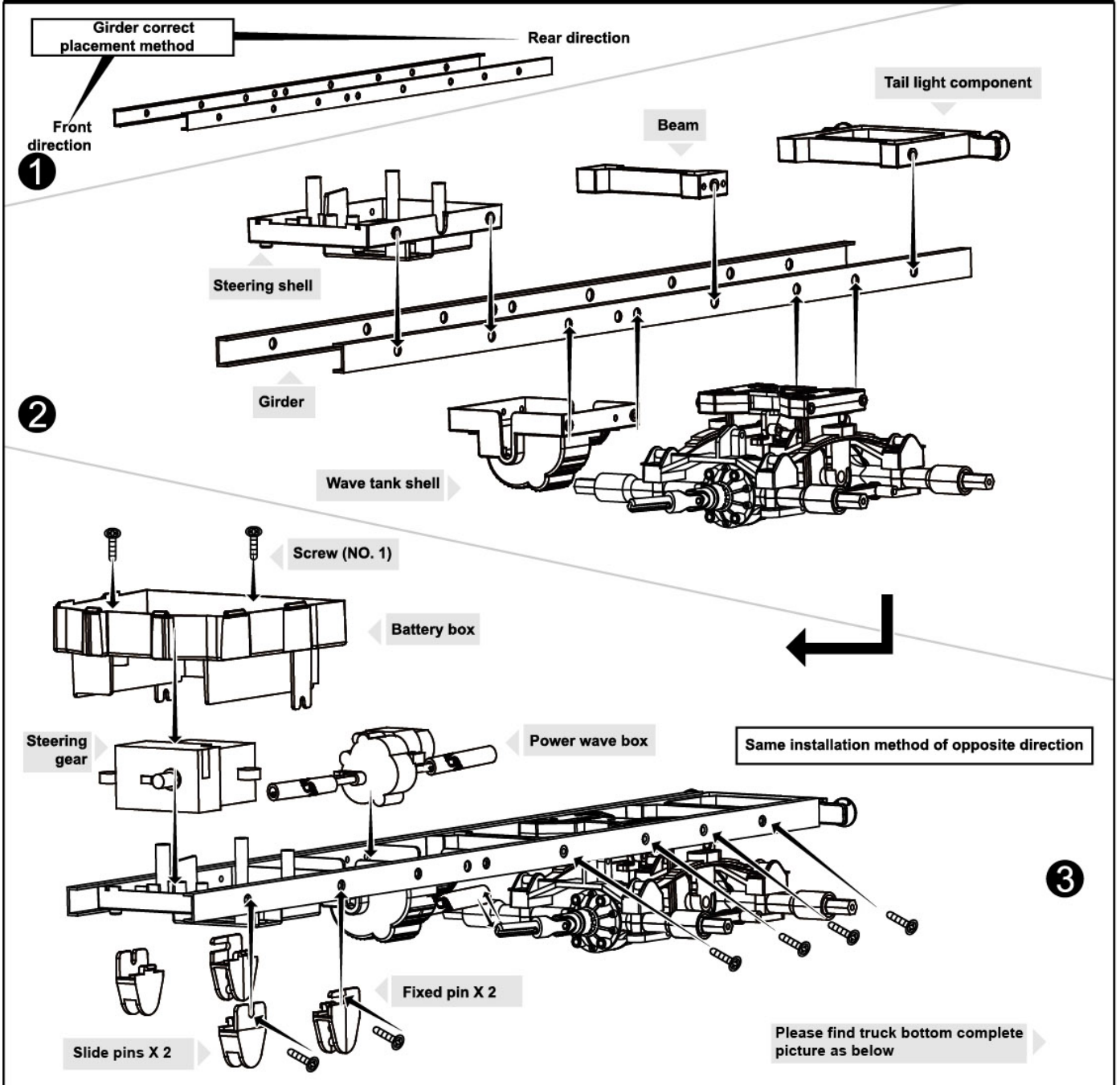


• SHAFT INSTALLATION METHOD •

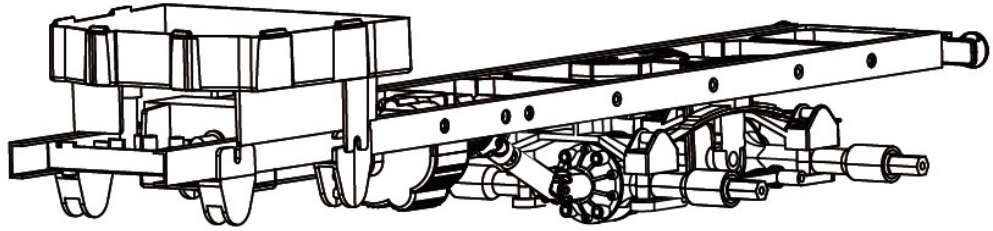




• TRUCK BOTTOM INSTALLATION METHOD •



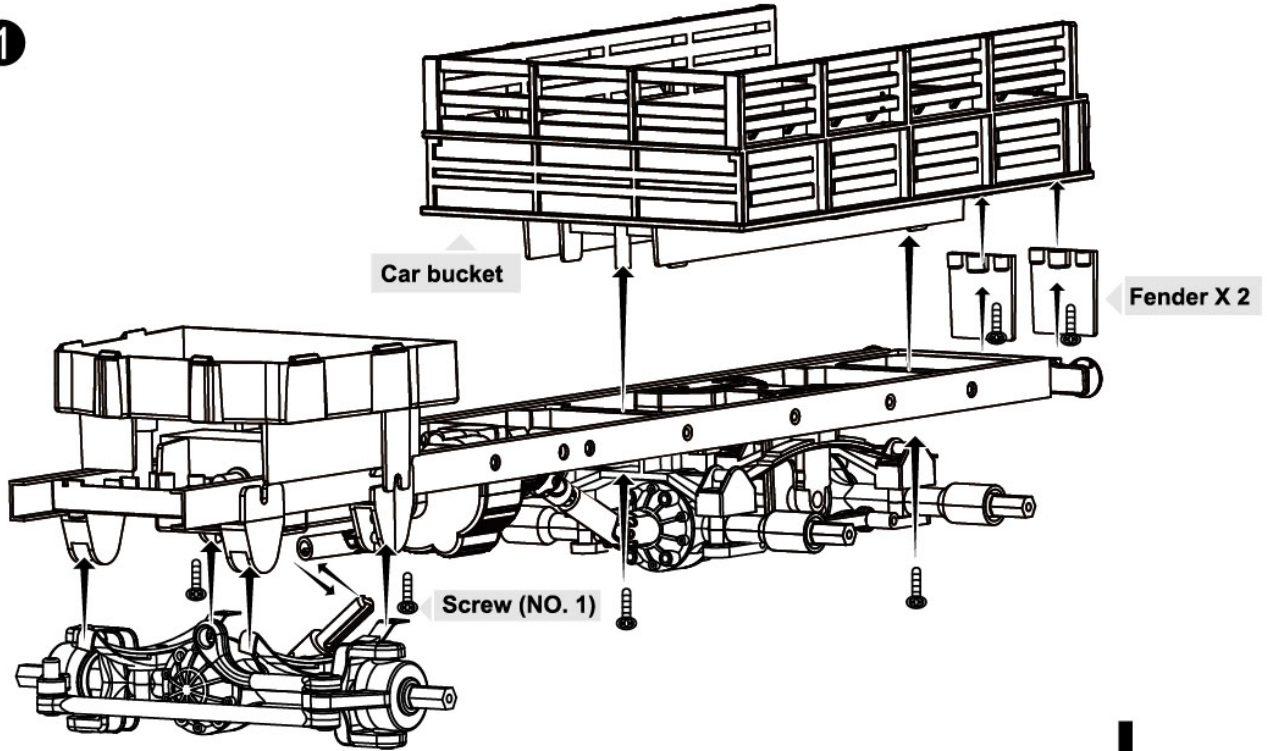
4



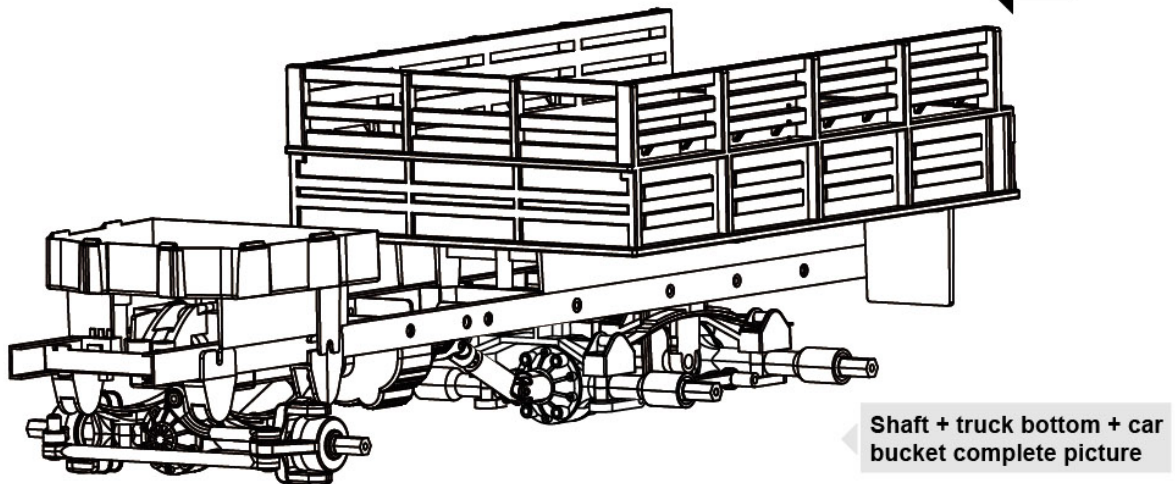
Truck bottom complete picture

• SHAFT + TRUCK BOTTOM + CAR BUCKET INSTALLATION METHOD •

1

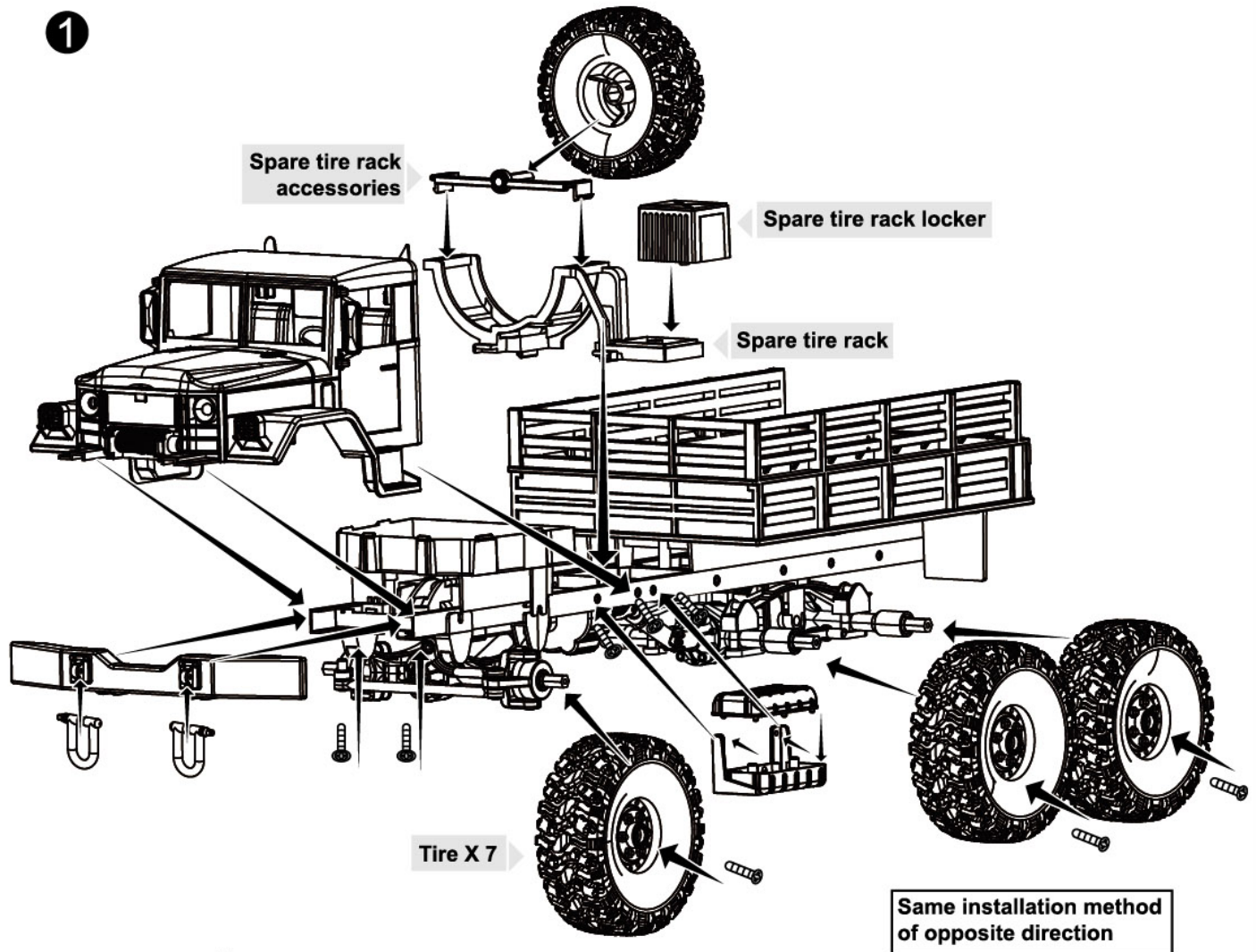


2

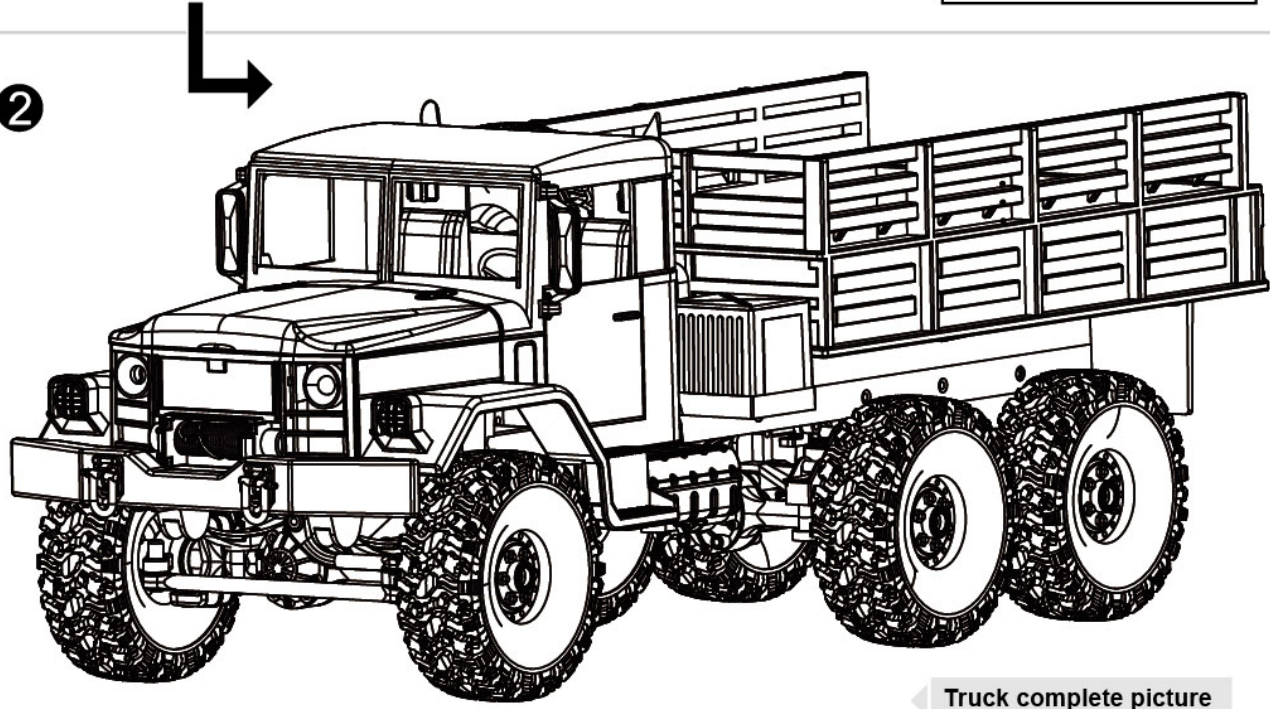


• FRONT + OIL BOX + SPARE TIRE RACK INSTALLATION METHOD •

1



2



Truck complete picture