

---

# Harry

SOFAS

Antonio Citterio



## Description

Its principal feature, which is comfort, issues from relations between the inclination of backrest and seat, while its unmistakable distinctive trait is the aluminium foot. A small detail that endows a rather traditional product with a genuine modern touch and lightness, which have made it a timeless sofa.

---

## Technical information

### Internal frame:

tubular steel and steel profiles

### Internal frame upholstery:

Bayfit® (Bayer®) flexible cold shaped polyurethane foam, polyester fibre cover

### Seat cushions upholstery:

shaped polyurethane of different density, sterilized down, cotton cover

### Back cushions upholstery:

shaped polyurethane, sterilized down, polyester fibre, cotton cover

### Feet:

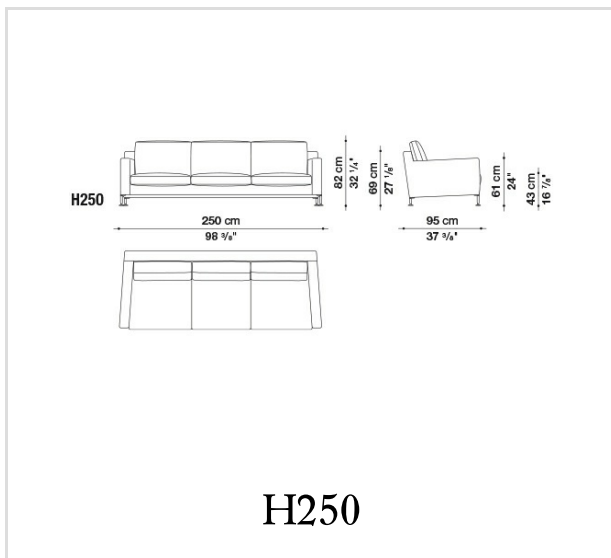
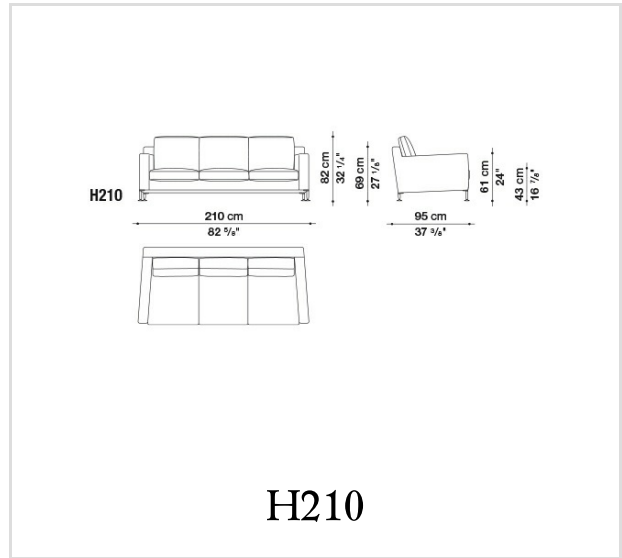
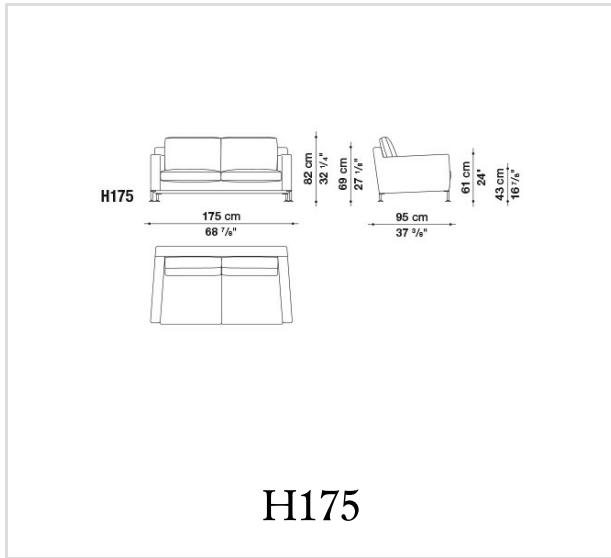
bright brushed aluminium sheet and extrusions

### Cover:

fabric or leather

---

# Technical drawings



B&B Italia reserves the right to make technological and aesthetic improvements to its models, including changes to the sizes and materials, without notice. The technical drawings do not define the details of the product. The measurements shown are indicative and may undergo changes. In particular, the dimensions relevant to the padded parts are subject to usage tolerances over time caused by the normal adjustment of the padding. For the specific information, please contact the dealer closest to you.