
Édouard

SOFAS

Antonio Citterio



Description

Édouard is a family of innovative upholstered furniture endowed with powerful aesthetic and functional charm: armchair, sofas and sectional seating elements (chaise longue, terminal and corner elements) designed to create restful areas that suit both the space available and the personal taste. The system offers two typologies which differ in the back height structure, namely 92 cm for the armchair and sofas, and 85 cm for the sectional elements. The sofas have been designed to enhance comfort with a wide seat and a high backrest, which can also be fitted with a headrest, studied to ensure efficient and excellent ergonomic support.

Technical information

Internal frame:

tubular steel and steel profiles

Back and armrest internal frame upholstery:

Bayfit® (Bayer®) flexible cold shaped polyurethane foam, polyester fibre

Seat cushion upholstery:

shaped polyurethane of different density, polyester fibre

Feet:

painted black chrome or pewter painted aluminium

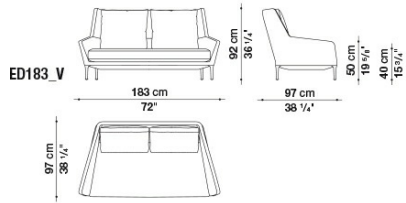
Ferrules:

thermoplastic material

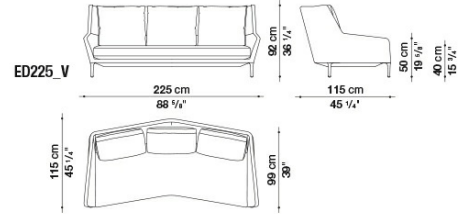
Cover:

fabric or leather (raised stitch)

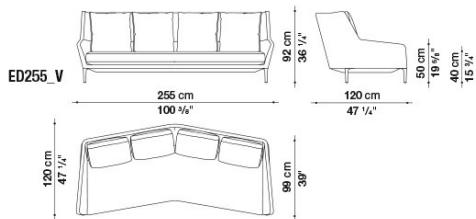
Technical drawings



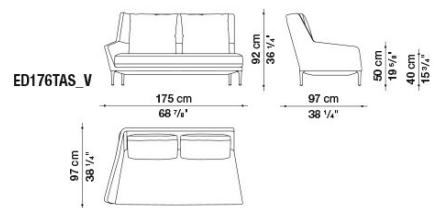
ED183_V



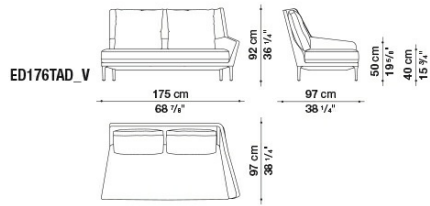
ED225_V



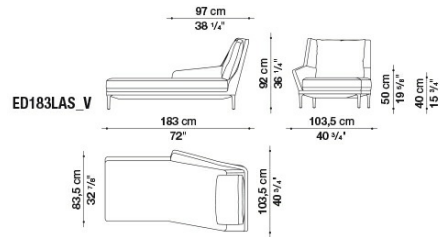
ED255_V



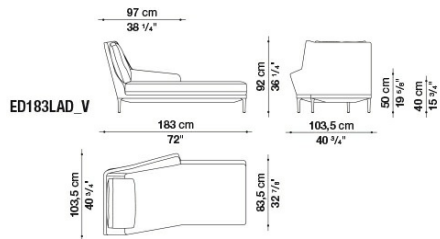
ED176TAS_V



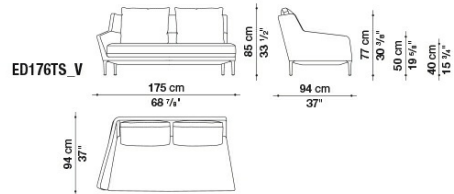
ED176TAD_V



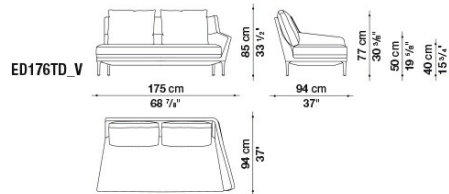
ED183LAS_V



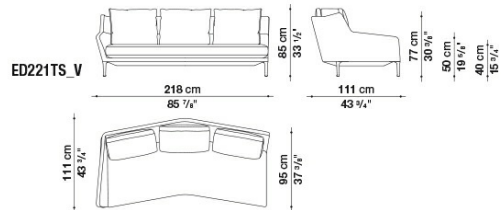
ED183LAD_V



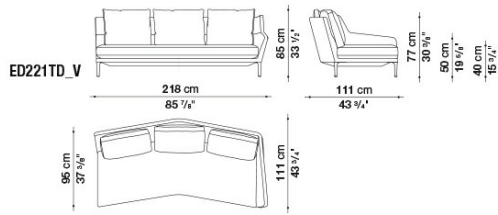
ED176TS_V



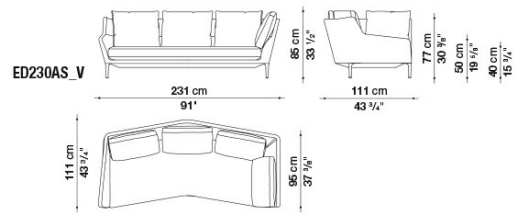
ED176TD_V



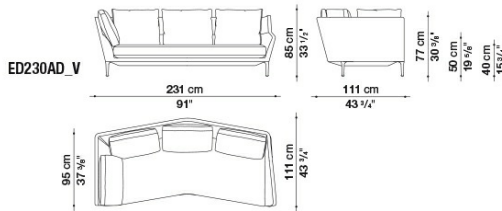
ED221TS_V



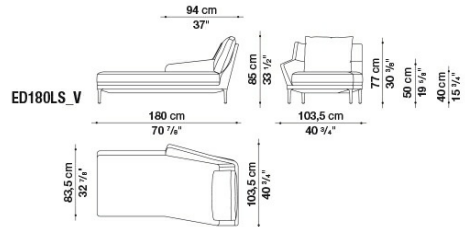
ED221TD_V



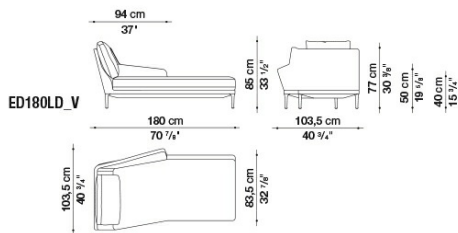
ED230AS_V



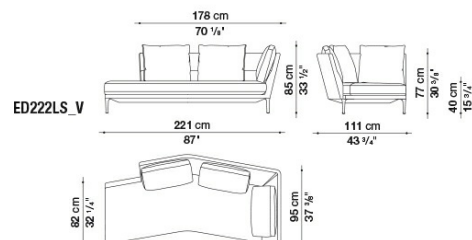
ED230AD_V



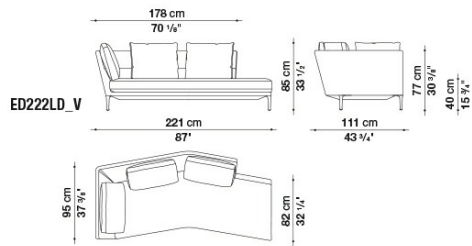
ED180LS_V



ED180LD_V

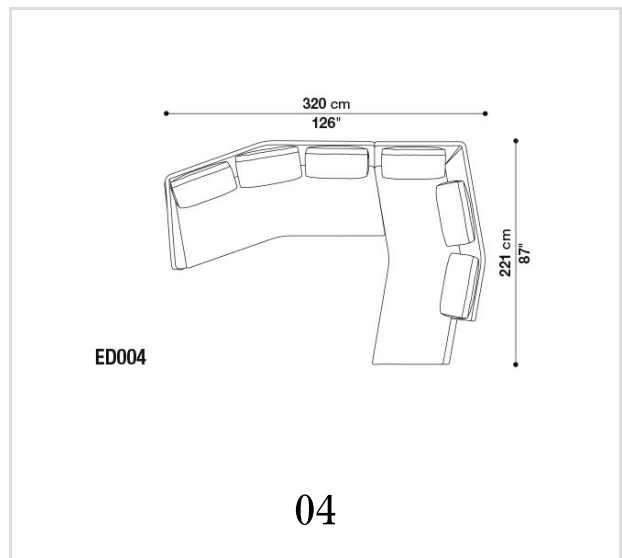
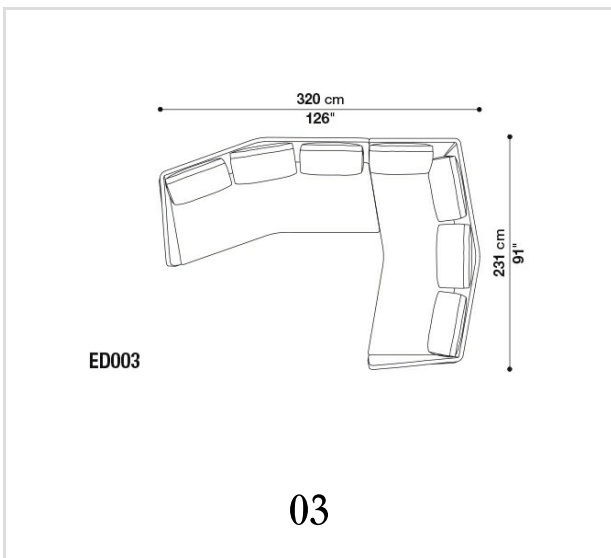
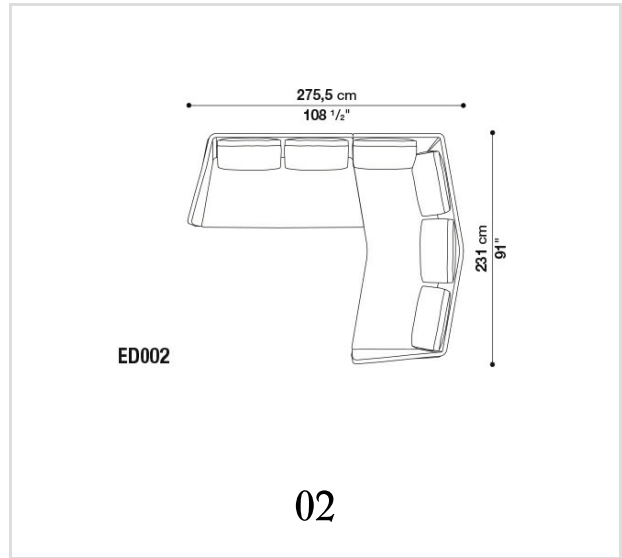
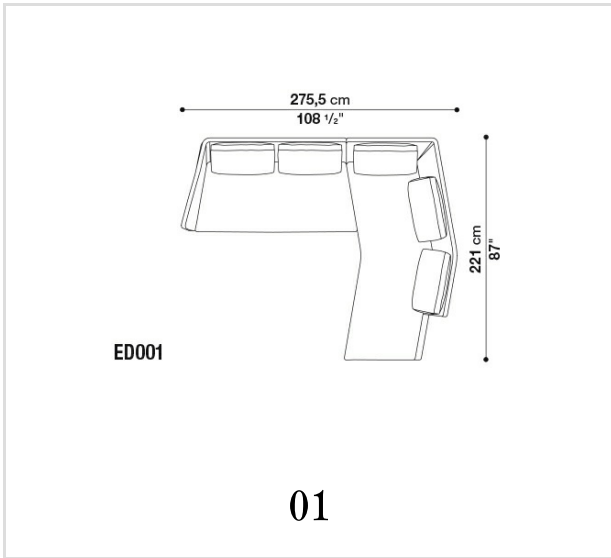


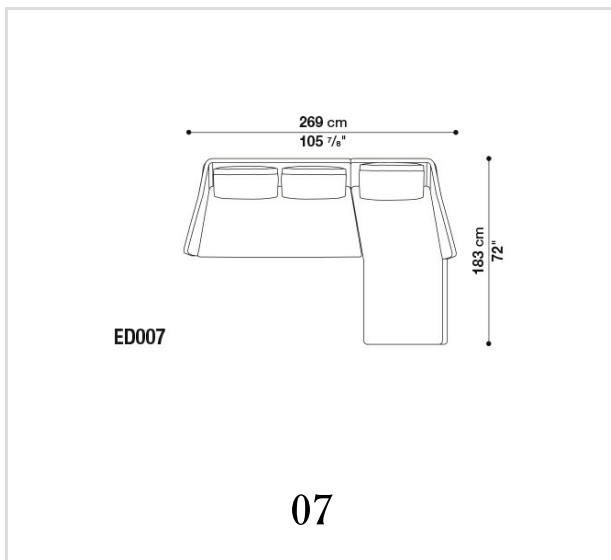
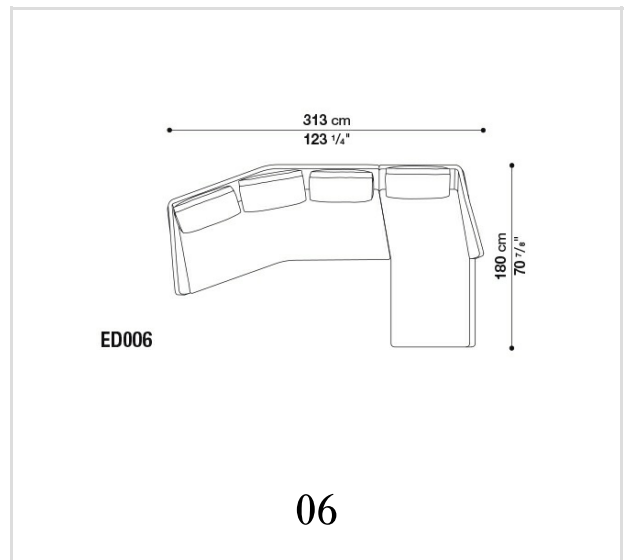
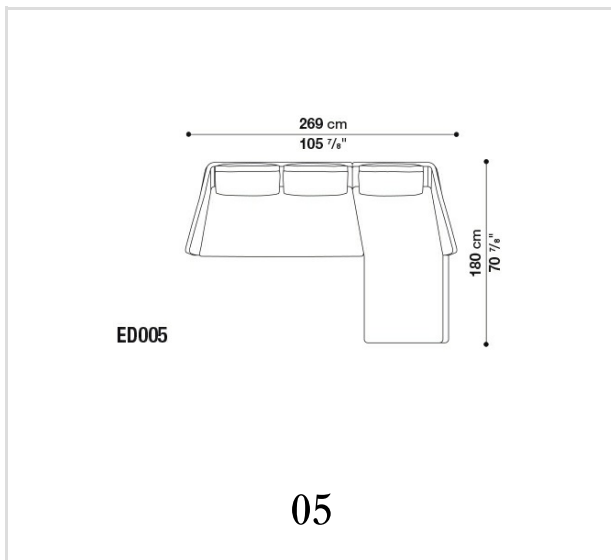
ED222LS_V



ED222LD_V

Compositions





B&B Italia reserves the right to make technological and aesthetic improvements to its models, including changes to the sizes and materials, without notice. The technical drawings do not define the details of the product. The measurements shown are indicative and may undergo changes. In particular, the dimensions relevant to the padded parts are subject to usage tolerances over time caused by the normal adjustment of the padding. For the specific information, please contact the dealer closest to you.