

LASVIT Technical Sheet

CIPHER COLLECTION

DESIGNER: Yabu Pushelberg

YEAR OF DESIGN: 2017

Glass: Hand Blown Technical Glass

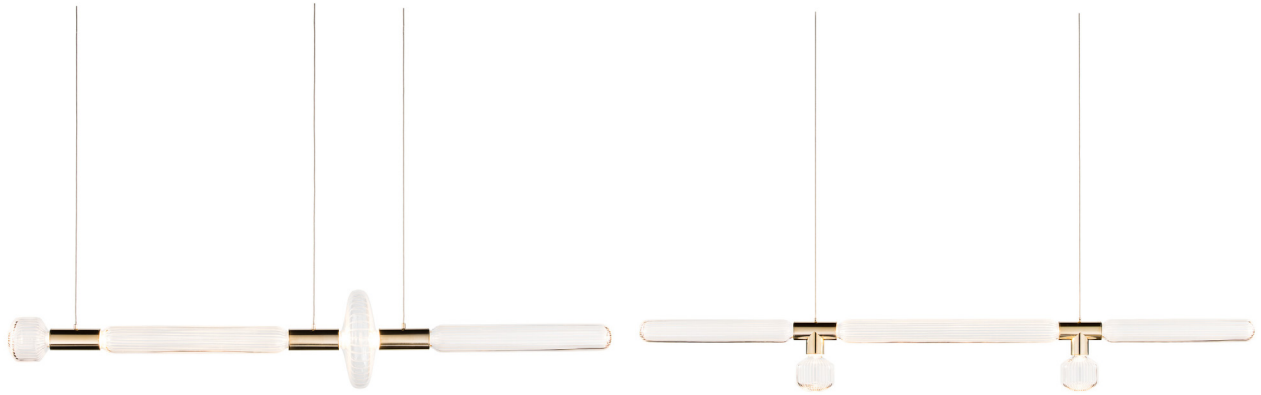
Cipher collection is a juxtaposition of heritage techniques and contemporary form. Its delicate hand-blown crystal cylindrical pieces are cut with clean, clear lines. “The surface decoration was influenced by our fascination and exploration of the way in which etched patterning catches light,” the designers explained.

“We wanted to celebrate the inherent beauty of cut crystal and the versatility of textures. We looked for ways to create different qualities of light. The form began as an extruded hexagon, but its edges were ultimately softened and smoothed to create cylindrical forms.”

Light emits only from connection points and the sources are ingeniously hidden to soften the overall effect. With components arranged in series and joined by polished champagne-gold finished connections, Cipher’s overall linear form creates a poetic visual rhythm. As a system, the Cipher collection is extremely flexible and customizable, with limitless possible configurations for private residences and bespoke installations projects..

LASVIT Technical Sheet

CIPHER COLLECTION



PACKAGING

Cipher pendant S,L

Size: 70 × 60 × 21 cm

Total weight: 10,11 kg

Cipher table lamp S

Size: 49 × 50 × 48 cm

Total weight: 6 kg

Cipher floor lamp

Size : 61 × 62 × 82 cm

Total Weight: 11 kg

Cipher wall sconce

Size: 55 × 48 × 21 cm

Total weight: 4 kg

Cipher table lamp L

Size : 36 × 37 × 55 cm

Total Weight: 5 kg

LASVIT Technical Sheet

CIPHER COLLECTION

TECHNICAL DETAILS C. HORIZONTAL S

Type	CE	UL
Light source	6 × LED module, 2W, 2850-3000 K CRI 90 dimmable	
Input voltage	220-240V AC, 50/60 Hz	100-120V AC, 50/60 Hz
Rated power	15W	
Ballast	trailing edge	
Primary material	stainless steel, titanium champagne coating	
Cord color	coaxial cable 2 × 0,75 mm ² , braiding tinned	
Cord length	2000mm/78¾", longer cord is available, contact your sales person	
Prot. rating	IP 20	
Safety class	CLASS I	

LASVIT Technical Sheet

CIPHER COLLECTION

TECHNICAL DETAILS C. HORIZONTAL L

Type	CE	UL
Light source	6 × LED module, 2W, 2850-3000 K CRI 90 dimmable	
Input voltage	220-240V AC, 50/60 Hz	100-120V AC, 50/60 Hz
Rated power	15W	
Ballast	trailing edge	
Primary material	stainless steel, titanium champagne coating	
Cord color	coaxial cable 2 × 0,75 mm ² , braiding tinned	
Cord length	2000mm/78¾", longer cord is available, contact your sales person	
Prot. rating	IP 20	
Safety class	CLASS I	

LASVIT Technical Sheet

CIPHER COLLECTION

TECHNICAL DETAILS C. WALLS CONCE

Type	CE	UL
Light source	2 × LED module, 2W, 2850-3000 K CRI 90 dimmable	
Input voltage	220-240V AC, 50/60 Hz	100-120V AC, 50/60 Hz
Rated power	4W	
Ballast	trailing edge	
Primary material	stainless steel, titanium champagne coating	
Prot. rating	IP 20	
Safety class	CLASS I	

LASVIT Technical Sheet

CIPHER COLLECTION

TECHNICAL DETAILS C. FLOOR LAMP

Type	CE	UL
Light source	2 × LED module, 1,5 W, 2850-3000 K CRI 90 dimmable	
Input voltage	220-240V AC, 50/60 Hz	100-120V AC, 50/60 Hz
Rated power	3 W	
Primary material	stainless steel, titanium champagne coating	
Cord color	coaxial cable 2 × 0,75 mm ² silicone, braiding tinned	
Cord lenght	3500mm/137 ¹³ / ₁₆ "	
Prot. rating	IP 20	
Safety class	CLASS I	

LASVIT Technical Sheet

CIPHER COLLECTION

TECHNICAL DETAILS C. TABLE LAMP S

Type	CE	UL
Light source	2 × LED module, 1,5 W, 2850-3000 K CRI 90 dimmable	
Input voltage	220-240V AC, 50/60 Hz	100-120V AC, 50/60 Hz
Rated power	3 W	
Primary material	stainless steel, titanium champagne coating	
Cord color	coaxial cable 2 × 0,75 mm ² silicone, braiding tinned	
Cord lenght	2500mm/98 ⁷ / ₁₆ "	
Prot. rating	IP 20	
Safety class	CLASS I	

LASVIT Technical Sheet

CIPHER COLLECTION

TECHNICAL DETAILS C. TABLE LAMP L

Type	CE	UL
Light source	2 × LED module, 1,5 W, 2850-3000 K CRI 90 dimmable	
Input voltage	220-240V AC, 50/60 Hz	100-120V AC, 50/60 Hz
Rated power	3 W	
Primary material	stainless steel, titanium champagne coating	
Cord color	coaxial cable 2 × 0,75 mm ² silicone, braiding tinned	
Cord length	2500mm/98 ⁷ / ₁₆ "	
Prot. rating	IP 20	
Safety class	CLASS I	

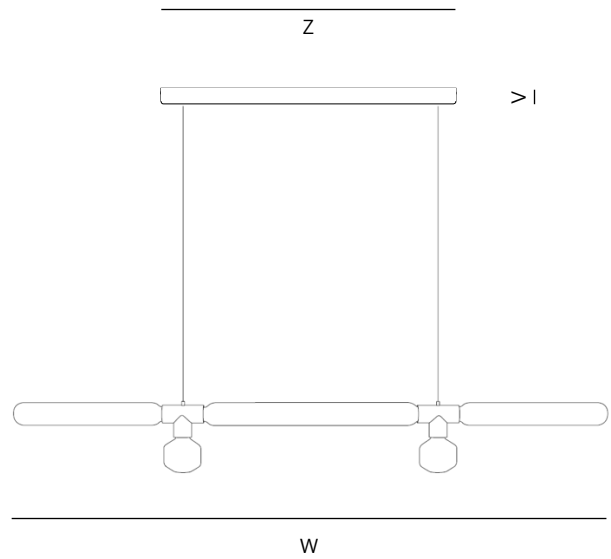
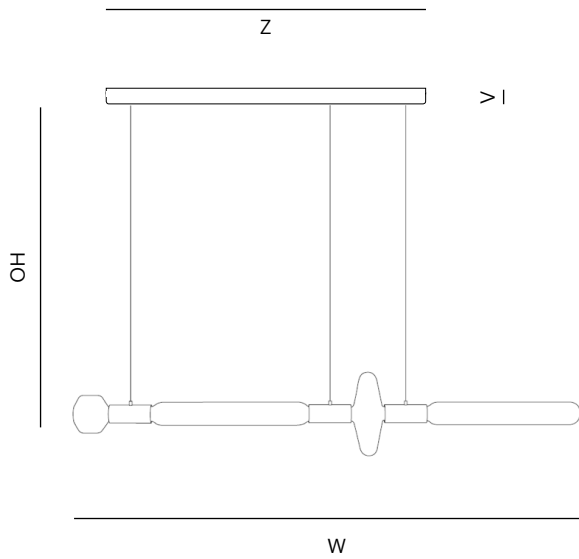
LASVIT Technical Sheet

CIPHER COLLECTION

TECHNICAL DRAWING

Cipher horizontal S

Cipher horizontal L



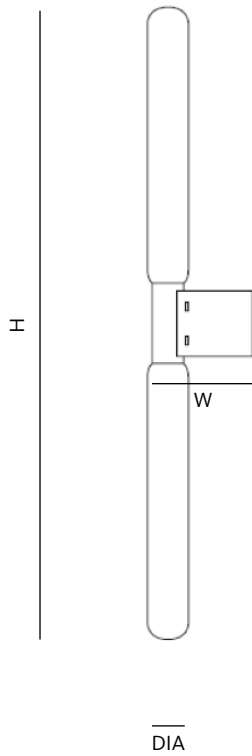
Name	W (mm/inch)	OH (mm/inch)	Z (mm/inch)	V (mm/inch)
Cipher horizontal S	1327/52 ³ / ₄ "	2000/78 ³ / ₄ "	784/30 ⁷ / ₈ "	90/3 ¹ / ₂ "
Cipher horizontal L	1640/64 ³ / ₁₆ "	2000/78 ³ / ₄ "	784/30 ⁷ / ₈ "	90/3 ¹ / ₂ "

LASVIT Technical Sheet

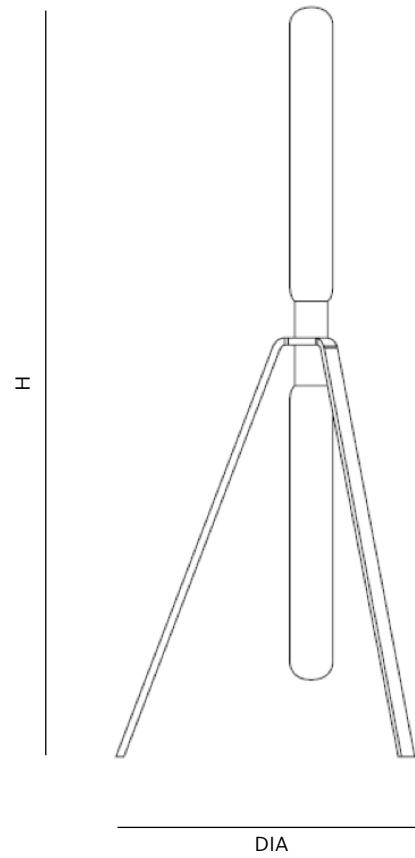
CIPHER COLLECTION

TECHNICAL DRAWING

Cipher wall sconce



Cipher floor lamp



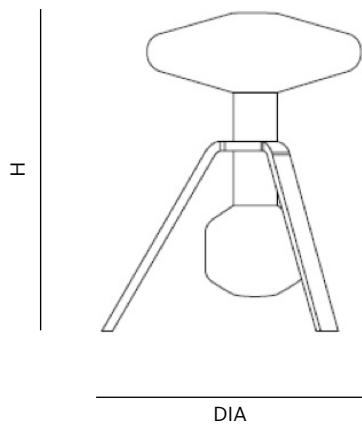
Name	W / Dia (mm/inch)	H (mm/inch)	Dia (mm/inch)	V (mm/inch)
Cipher wall sconce	154/6 ¹ / ₈ " × Dia 60/2 ³ / ₈ "	919/36 ¹ / ₄ "	-	-
Cipher floor lamp	Dia 535/21 ¹ / ₁₆ "	1027/40 ⁹ / ₁₆ "	-	-

LASVIT Technical Sheet

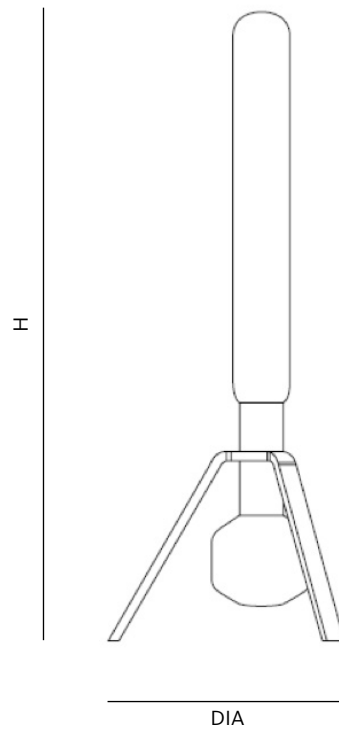
CIPHER COLLECTION

TECHNICAL DRAWING

Cipher table lamp S



Cipher table lamp L



Name	Dia (mm/inch)	H (mm/inch)	Z (mm/inch)	V (mm/inch)
Cipher table lamp S	314/12 ³ /16"	326/13"	-	-
Cipher table lamp L	314/12 ³ /16"	646/25 ⁹ /16"	-	-

LASVIT Technical Sheet

Name	Glass color	Item ID – CE	Item ID – UL	Weight (approx.)
Cipher horizontal S	clear	CLo36PA-1CEoo-0127S1	CLo36PA-1ULoo-0127S1	9kg/19,8lbs
Cipher horizontal L	clear	CLo36PB-1CEoo-0127S1	CLo36PB-1ULoo-0127S1	8,5kg/18,7lbs
Cipher wall sconce	clear	CLo36WA-1CEoo-0127S1	CLo36WA-1ULoo-0127S1	3,9kg/8,6lbs
Cipher floor lamp	clear	CLo36FA-1CEoo-0127S1	CLo36FA-1ULoo-0127S1	3,7kg/8,2lbs
Cipher table lamp S	clear	CLo36TA-1CEoo-0127S1	CLo36TA-1ULoo-0127S1	2,6kg/5,7lbs
Cipher table lamp L	clear	CLo36TB-1CEoo-0127S1	CLo36TB-1ULoo-0127S1	2,4kg/5,3lbs

EACH LASVIT COLLECTION IS UNIQUE BECAUSE IT IS COMPLETELY HANDCRAFTED. TINY BUBBLES AND OTHER IRREGULARITIES MAY OCCUR DUE TO THE NATURE OF THE HIGH QUALITY GLASS-BLOWING TECHNIQUE