

## Toolbox

All the utensils you use during your workshop, lecture or brain-storming session will find a place here: markers, post it's, index cards, pin needles, magnets, cleaning supplies and much more. The toolbox consists of two elements: The attached utensil container is removable and can be placed on their work tables. The small table on which the utensil container otherwise rests can then also be used individually as a side table.

### Details

Dimensions H x W x D	87 x 46 x 46 cm
Bowl diameter	39 cm
Weight	9 kg

### Materials

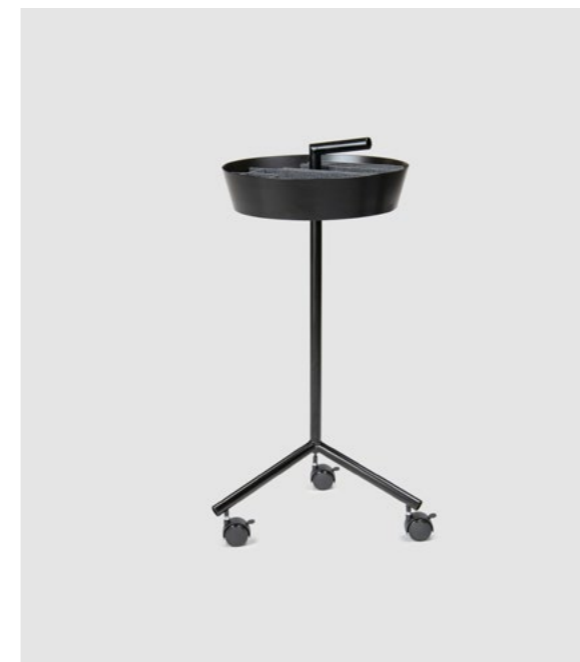
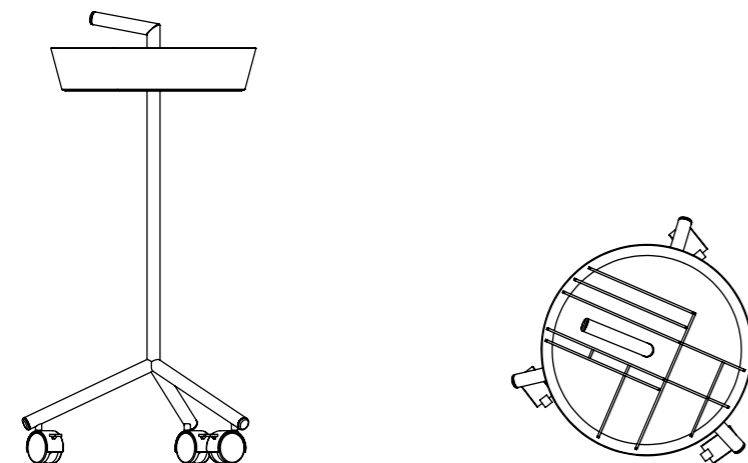
Metall	powder coated Sheet steel (RAL 9005)
Inlay	PolyesterFleece

### Shipping details

Volume shipping weight	43 kg
Packages	1
Shipping method	Freight forwarding

### Options

Colour	<input checked="" type="radio"/> <input type="radio"/>
--------	--



Article number	Colour	
TB-WT.2	Traffic white RAL 9016	<input type="radio"/>
TB-BK.2	Jet black RAL 9005	<input checked="" type="radio"/>