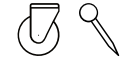


# roomours

## Post and Pin

Post and Pin makes agile work possible in a wide variety of forms. The tool serves with its receptacle for different materials as a perfect base for working with changing media - whether their own or the elements of roomours made of cardboard, foam, fleece or light-weight materials - filled they can be presented on our rail leaning against the wall.



### Details

Dimensions H x W x D	180 x 150 x 57 cm
Surface board H x W	120 x 150 cm
Weight	22 kg

### Materials

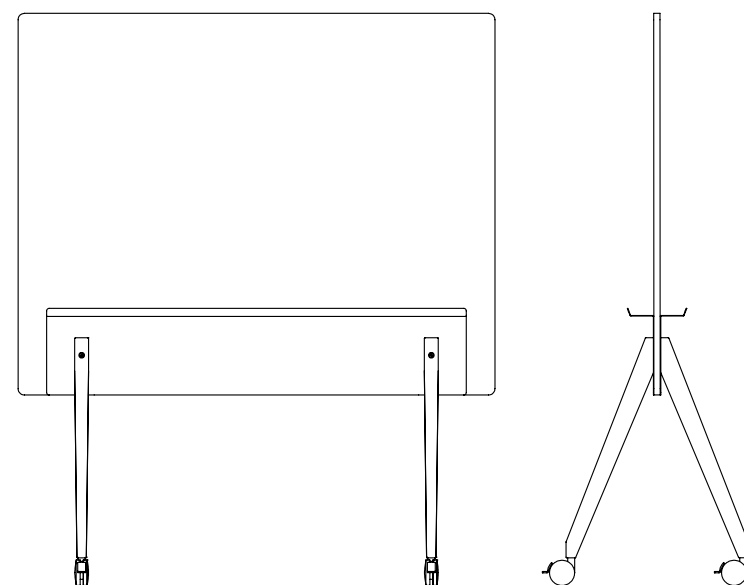
Structure	Solid wood (Oak)
Board	Polyester fleece or Gatorfoam
Basis	Sheet steel, powder coated

### Shipping details

Volume shipping weight	50 kg
Packages	4
Shipping method	Freight forwarding

### Options

Board	Fleece, Gatorfoam
Castor colors	<input checked="" type="radio"/> <input type="radio"/>







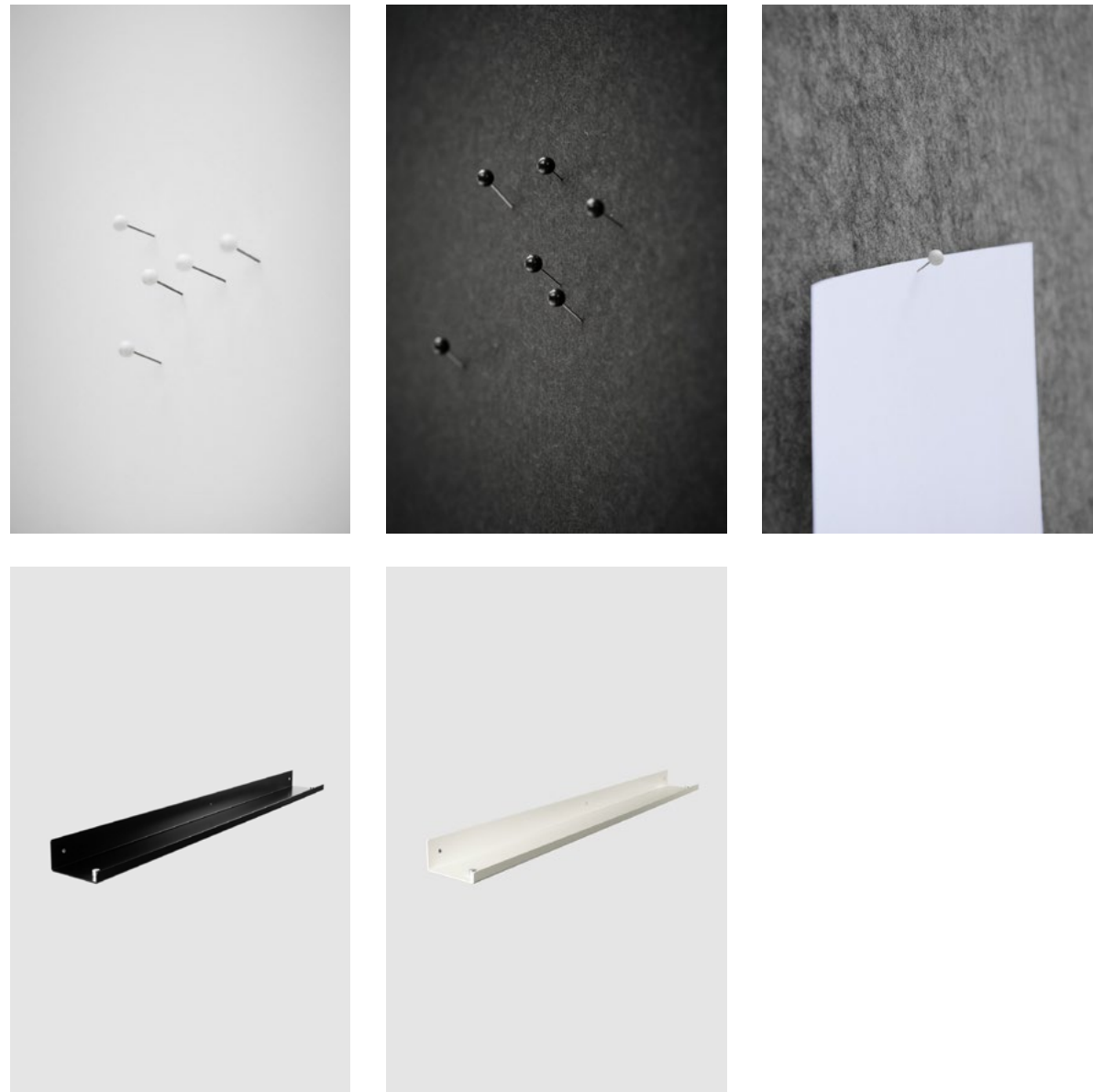
Article Number	Wood	Board	Colour	Castors
PaP-WT.GF-WT.O.1	Oak	Light Foam, white	Traffic White RAL 9016	White
PaP-WT.GF-WT.O.2	Oak	Light Foam, white	Traffic White RAL 9016	Black
PaP-BK.GF-BK.O.1	Oak	Light Foam, black	Jet Black RAL 9005	White
PaP-BK.GF-BK.O.2	Oak	Light Foam, black	Jet Black RAL 9005	Black
PaP-WT.F-GR.O.1	Oak	Fleece, grey	Traffic White RAL 9016	White
PaP-WT.F-GR.O.2	Oak	Fleece, grey	Traffic White RAL 9016	Black
PaP-BK.F-GR.O.1	Oak	Fleece, grey	Jet Black RAL 9005	White
PaP-BK.F-GR.O.2	Oak	Fleece, grey	Jet Black RAL 9005	Black
PaP-WT.F-BK.O.1	Oak	Fleece, black	Traffic White RAL 9016	White
PaP-WT.F-BK.O.2	Oak	Fleece, black	Traffic White RAL 9016	Black
PaP-BK.F-BK.O.1	Oak	Fleece, black	Jet Black RAL 9005	White
PaP-BK.F-BK.O.2	Oak	Fleece, black	Jet Black RAL 9005	Black
PaP-WT.GF-WT.A.1	Ash	Light Foam, white	Traffic White RAL 9016	White
PaP-WT.GF-WT.A.2	Ash	Light Foam, white	Traffic White RAL 9016	Black
PaP-BK.GF-BK.A.1	Ash	Light Foam, black	Jet Black RAL 9005	White
PaP-BK.GF-BK.A.2	Ash	Light Foam, black	Jet Black RAL 9005	Black
PaP-WT.F-GR.A.1	Ash	Fleece, grey	Traffic White RAL 9016	White
PaP-WT.F-GR.A.2	Ash	Fleece, grey	Traffic White RAL 9016	Black
PaP-BK.F-F-GR.A.1	Ash	Fleece, grey	Jet Black RAL 9005	White
PaP-BK.F-F-GR.A.2	Ash	Fleece, grey	Jet Black RAL 9005	Black
PaP-WT.F-BK.A.1	Ash	Fleece, black	Traffic White RAL 9016	White
PaP-WT.F-BK.A.2	Ash	Fleece, black	Traffic White RAL 9016	Black
PaP-BK.F-F-BK.A.1	Ash	Fleece, black	Jet Black RAL 9005	White
PaP-BK.F-F-BK.A.2	Ash	Fleece, black	Jet Black RAL 9005	Black
PaP-WT.GF-WT.BK.1	Black*	Light Foam, white	Traffic White RAL 9016	White
PaP-WT.GF-WT.BK.2	Black*	Light Foam, white	Traffic White RAL 9016	Black
PaP-BK.GF-BK.BK.1	Black*	Light Foam, black	Jet Black RAL 9005	White
PaP-BK.GF-BK.BK.2	Black*	Light Foam, black	Jet Black RAL 9005	Black
PaP-WT.F-GR.BK.1	Black*	Fleece, grey	Traffic White RAL 9016	White
PaP-WT.F-GR.BK.2	Black*	Fleece, grey	Traffic White RAL 9016	Black
PaP-BK.F-GR.BK.1	Black*	Fleece, grey	Jet Black RAL 9005	White
PaP-BK.F-GR.BK.2	Black*	Fleece, grey	Jet Black RAL 9005	Black
PaP-WT.F-BK.BK.1	Black*	Fleece, black	Traffic White RAL 9016	White
PaP-WT.F-BK.BK.2	Black*	Fleece, black	Traffic White RAL 9016	Black
PaP-BK.F-BK.BK.1	Black*	Fleece, black	Jet Black RAL 9005	White
PaP-BK.F-BK.BK.2	Black*	Fleece, black	Jet Black RAL 9005	Black

\* Ash, stained



Accessories Post and Pin

Post and Pin responds to any change. Mobile, lightweight and adaptable. Is one board not enough for the collected ideas? - an additional second or third board creates even more space. Thanks to the innovative clamp fitting of the base element, the Post and Pin boards can be quickly exchanged, edited and replaced. The boards filled with ideas can be conveniently positioned and presented on the matching wall rails.



Article number	Name	Material	Colour
PaP-GF-WT	Board	Light foam	White
PaP-GF-BK	Board	Light foam	Black
PaP-F-GR	Board	Fleece	Grey
PaP-F-BK	Board	Fleece	Black
PaP-R-WT	Wall shelf	Sheet steel	Traffic white RAL 9016
PaP-R-BK	Wall shelf	Sheet steel	Jet black RAL 9005

