

## Pin Up on Tour (black magnetic board)

The board made of powder-coated sheet steel has one surface that can be used with magnets - the other side serves as a pinboard with pleasantly tactile material.



### Details

Dimensions HxWxD in cm	180 x 120/150 x 57
Surface board HxB in cm	120 x 120/150
Weight in kg	31/36

### Materials

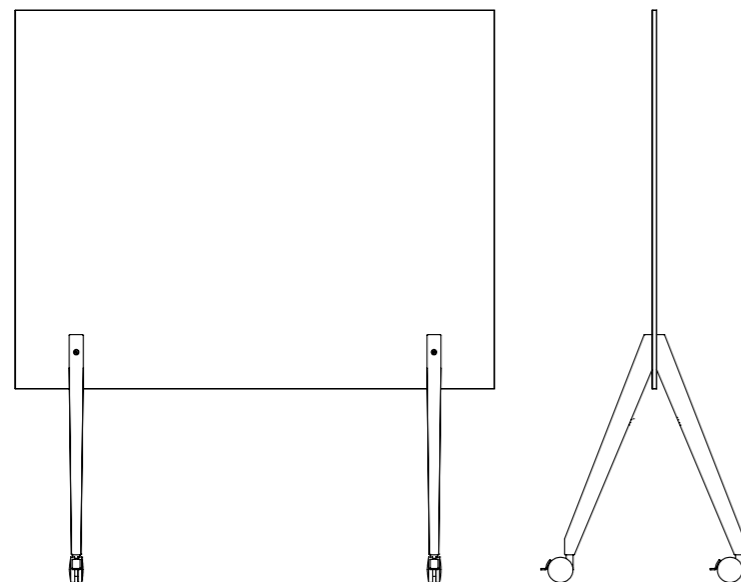
Structure	Solid wood (Oak or Ash)
Whiteboard	Sheet steel, powder coated (RA L 9005)
Pinboard	Natural felt from merino wool, mottled gray

### Shipping details

Volume shipping weight	50/52 kg
Packages	3
Shipping method	Freight forwarding

### Options

Width	120 cm , 150 cm
Woods	<input type="radio"/> <input type="radio"/> <input type="radio"/>
Castor colors	<input type="radio"/> <input type="radio"/>
Tray (optional)	<input type="radio"/> <input type="radio"/>
Special sizes and colors possible on request	



## Pin Up on Tour



Article number	Width	Wood	Castors
PUoT-BK120.A.1	120 cm	Ash	White
PUoT-BK120.O.1	120 cm	Oak	White
PUoT-BK120.BK.1	120 cm	Ash, stained black	White
PUoT-BK150.A.1	150 cm	Ash	White
PUoT-BK150.O.1	150 cm	Oak	White
PUoT-BK150.BK.1	150 cm	Ash, stained black	White

## roomours



Article number	Width	Wood	Castors
PUoT-BK120.A.2	120 cm	Ash	Black
PUoT-BK120.O.2	120 cm	Oak	Black
PUoT-BK120.BK.2	120 cm	Ash, stained black	Black
PUoT-BK150.A.2	150 cm	Ash	Black
PUoT-BK150.O.2	150 cm	Oak	Black
PUoT-BK150.BK.2	150 cm	Ash, stained black	Black

# roomours

## Shelf for Boards - Tray

Tray is the ideal complement to our boards and can be easily attached between the brackets - creating a practical storage space for pens, magnets, pins Width everything necessary for creative work.

### Details

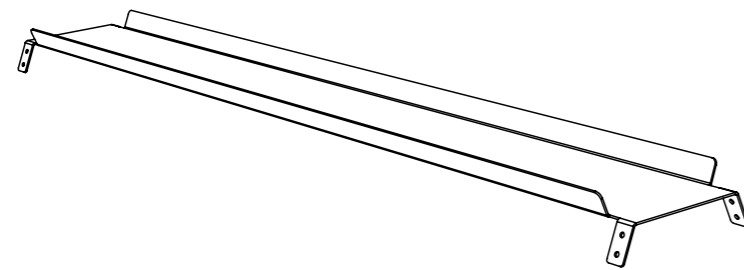
Dimensions H x W x D	6 x 92/112/137 x 16,5 cm
Suitable for	Chalk Talk Glassworks Pin Up on Tour Write It on Tour
Material	Sheet steel, powder coated

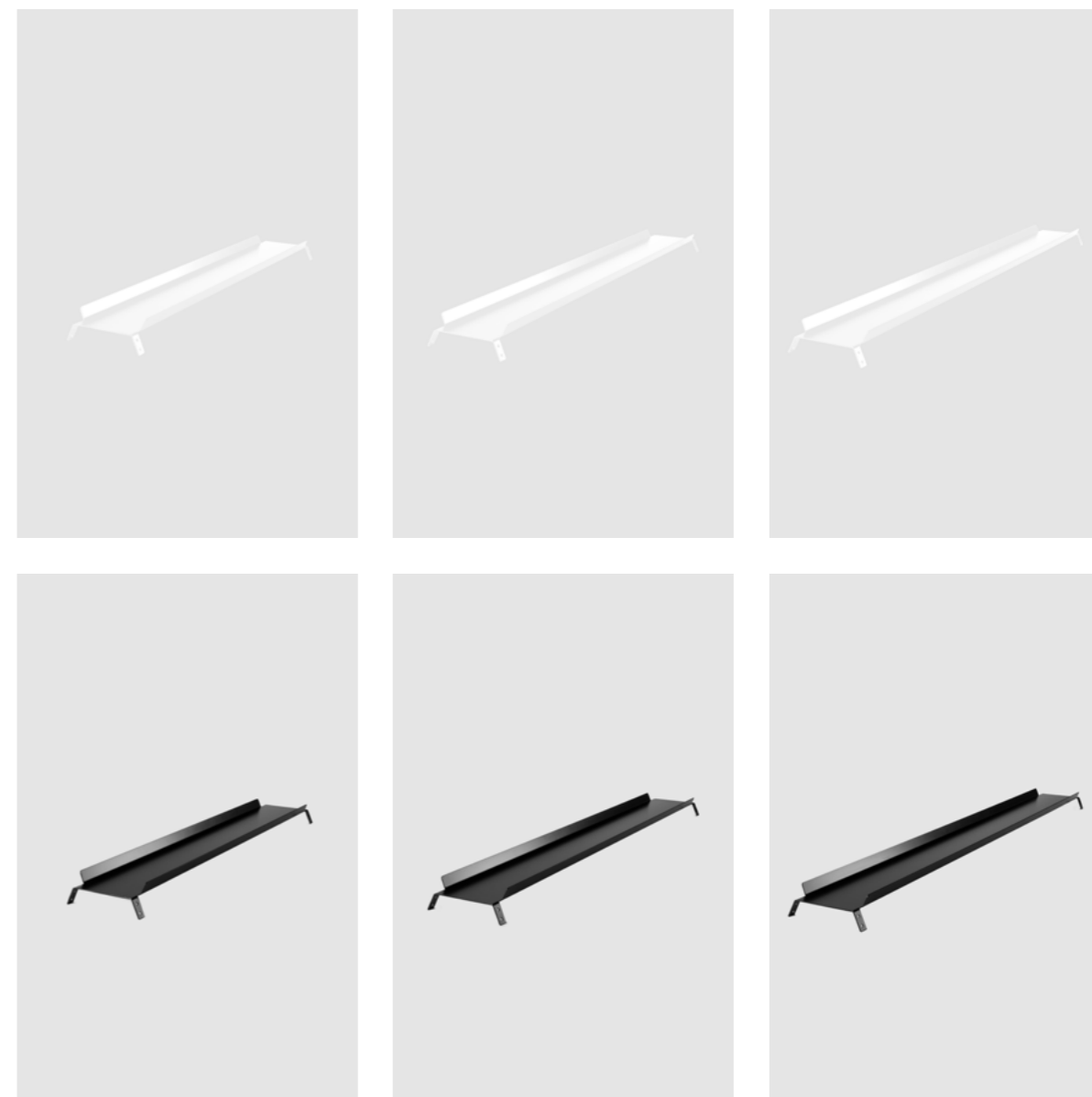
### Shipping details

Volume shipping weight	8/10/12 kg
Packages	1
Shipping method	Freight forwarding

### Options

Width	120 cm , 150 cm, 180 cm
Colour	<input checked="" type="radio"/> <input type="radio"/>





Article number	Width	Colour	
SF-WT120	120 cm	Traffic white RAL 9016	○
SF-WT150	150 cm	Traffic white RAL 9016	○
SF-WT180	180 cm	Traffic white RAL 9016	○
SF-BK120	120 cm	Jet black RAL 9005	●
SF-BK150	150 cm	Jet black RAL 9005	●
SF-BK180	180 cm	Jet black RAL 9005	●

## Pen tray Keep It

With Keep It everything has its place - the tray keeps pen Width sponge always handy for the next use. Simple Width clear in its form, the practical tray is the perfect add-on for all our mobile boards.

### Details

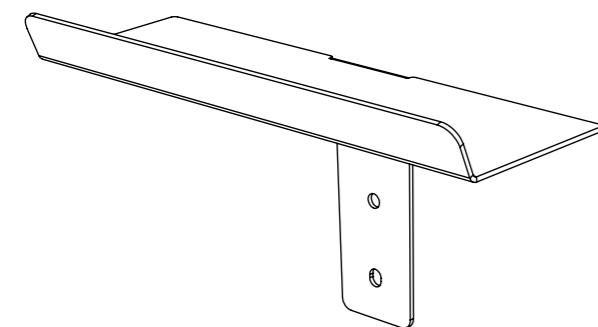
Dimensions H x W x D	14 x 24 x 9 cm
Suitable for	Chalk Talk Glassworks Pin Up on Tour Write It on Tour
Material	Sheet steel, powder coated

### Shipping details

Volume shipping weight	2 kg
Packages	1
Shipping method	Paket

### Options

Colours	<input type="radio"/> <input type="radio"/> <input type="radio"/> <input type="radio"/> <input type="radio"/> <input type="radio"/>
---------	---



Article number	Colour	
KI-WT	Traffic white RAL 9016	<input type="radio"/>
KI-BK	Jet black RAL 9016	<input type="radio"/>
KI-ED	Traffic red RAL 3020	<input type="radio"/>
KI-GN	Yellow green RAL 6018	<input type="radio"/>
KI-GR	Stone grey RAL 7030	<input type="radio"/>
KI-YE	Zinc yellow RAL 1018	<input type="radio"/>

## Flipchart holder Hold On

Hold On is the logical addition for our boards. Simple and functional - whether whiteboard, blackboard or pinboard: with Hold On you can hang our flipchart pads on your board and give free rein to your creativity.

### Details

Dimensions H x W x D	8 x 70 x 3 cm
Lochabstand	50 cm
Passt zu	Chalk Talk Pin Up on Tour Write It on Tour
Weight	2 kg

### Materials

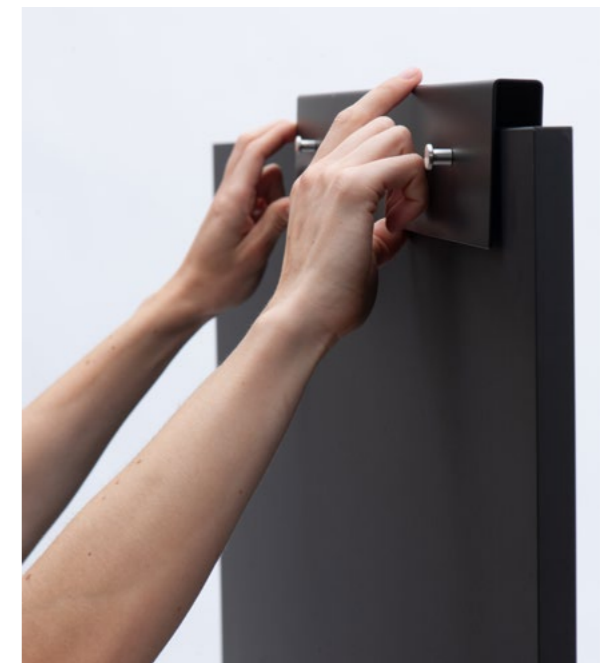
Metall	powder coated Metall
Inlay	PolyesterFleece
Tear bar	Polycarbonat, transparent

### Shipping details

Volume shipping weight	3 kg
Packages	1
Shipping method	Paket

### Options

Colour	<input checked="" type="radio"/> <input type="radio"/>
--------	--



### Article number

HO-WT

HO-BK

### Colour

Traffic white RAL 9016

Jet black RAL 9005

