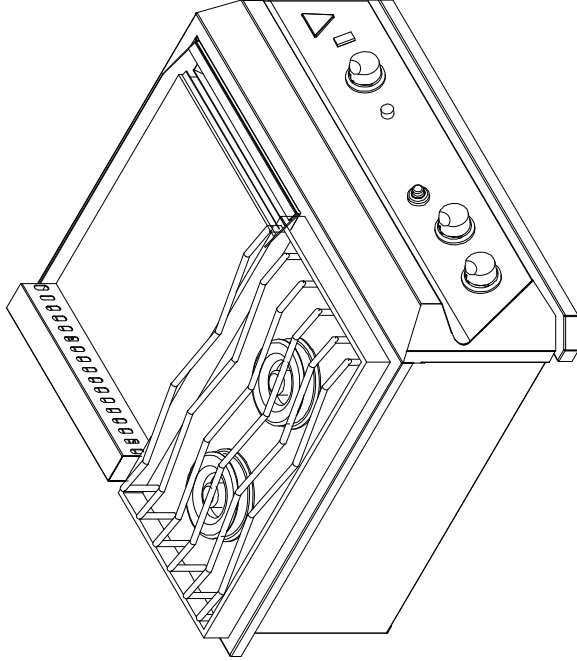






# TWIN EAGLES BREAKFAST CLUB

GAS CONVERSION KIT FROM LP TO NG  
 PN: CKNG-TEBC

FOR MODELS: TEBC / TPBC



 **WARNING:** BEFORE WORKING ON THIS APPLIANCE DISCONNECT GAS AND ELECTRICAL SUPPLIES.

 **WARNING:** INSTALLATION/GAS CONVERSION MUST BE PERFORMED BY A QUALIFIED TECHNICIAN.

## FOR YOUR RECORDS

**IMPORTANT:** Retain original proof of purchase to establish warranty period.

Please record the following information and refer to this information when contacting the company or an authorized service agent. This information is found on the rating/data plate located on the inside wall of the left side Panel.

Serial No. of Breakfast Club: \_\_\_\_\_

Date of Natural Gas Conversion: \_\_\_\_\_

Natural Gas Conversion by: \_\_\_\_\_

1. Check to make sure that you have the NG Gas Conversion Kit as follows:

- a. For Griddle Plate:
  - i. PN 15303, Regulator, Natural Gas (1 pc)
  - ii. PN 15110-45, Orifice #45 (1 pc)
- b. For Side Cooker:
  - i. PN 13313, 0.82 Orifice Center (2 pcs)
  - ii. PN 13314, 1.75 Orifice, Outside (2 pcs)
  - iii. PN 18351, Label, Conversion, Gas (1 pc)

## 2. Griddle Plate Conversion

- 2-1) Remove the grease pan from the front of the Griddle Plate Assembly.
- 2-2) Remove the screws, located in the front of the Griddle Plate Assembly, as shown.



- 2-3) Raise the front of Griddle Plate Assembly and make sure the rear portion is resting on the Griddle Top as shown in the left picture. Pull out the Thermostat Bulb so that you may remove the Griddle Plate Assembly completely, as shown in the right picture.



- 2-4) Unscrew the nut used to hold the U-Burner from the back and remove the U-Burner.



- 2-5) Replace the orifices #55, used for LP, and replace it with orifice #45, used for NG. Use a 1/2" Deep Socket and a Socket Wrench to remove and replace the orifice. Replace Griddle Plate Assembly when finished and re-install the Thermostat Bulb.



- 2-6) Remove the LP Hose and Regulator Assembly from the coupling, and remove the 3/8 Flare x 1/2" FIP coupling by turning the coupling counter-clockwise with an adjustable wrench.



- 2-7) Install the factory supplied Natural Gas regulator directly to the manifold and use pipe sealant approved for natural gas connection. Use a 12" Adjustable Wrench to turn the regulator and a Pipe Wrench to hold the manifold in place. **Warning: The Natural Gas Regulator is set at 4" of Water Column.**



- 3-12) Fill up the Conversion Label. Next, paste it next to the original Serial Plate.  
 3-13) The conversion is complete and the unit is ready for installation. Refer back to the Installation Manual.

### 3. Top Burner Conversion

- 3-1) Check to make sure that you have the NG Gas Conversion Kit as follows:
- PN 13313, Orifice, Defendi, 0.82 NG Center (2 pcs)
  - PN 13314, Orifice, Defendi, 1.75 NG Outside (2 pcs)
- 3-2) Remove the burner cap, burner ring and burner hub to expose the burner base and center orifice.
- 3-3) Remove the orifice cover plate to expose the outside orifice.
- 3-4) Remove the center orifice and outside orifice using a 7-mm. wrench.
- 3-5) Replace the orifices to Natural Gas as follows:
- |                |                    |                       |
|----------------|--------------------|-----------------------|
| <b>ORIFICE</b> | <b>FROM LP GAS</b> | <b>TO NATURAL GAS</b> |
| Center         | 0.50mm (#76 DMS)   | 0.82mm (#67 DMS)      |
| Outside        | 1.00mm (#61 DMS)   | 1.75mm (#50 DMS)      |

- 3-6) Make sure the regulator has been properly connected, replaced for Natural Gas
- 3-7) Check for leaks.

### 3-8) NEVER USE THE APPLIANCE WITHOUT FIRST LEAK TESTING THE GAS CONNECTION.

- Prepare a leak testing solution of sudsy water by mixing in a spray bottle with half liquid soap and half water.
- Confirm that all control knobs are in the "OFF" position.
- Turn the main gas valve supply "ON".
- Apply leak testing solution by spraying on the pipe joints, fittings, and hose.
  - A gas leak is detected if;
    - there is a faint gas smell
    - and/or growing bubbles appear on any of the connection points and/or hose. DO NOT attempt to ignite the grill and IMMEDIATELY turn off the gas supply valve.
- When there is a gas leak, call a qualified service technician. DO NOT use the grill until the leak is corrected.

- 3-9) Turn on burners. Set burners to low setting and check for burner flame height. If the flames are too high for simmering or too low that they would not stay lit, adjust the low flame setting.

- 3-10) To adjust low flame setting, pull out burner knob towards you. This will expose the valve stem.

- 3-11) Insert a flat, skinny screw driver into the stem and turn the adjusting screw to the left to increase the flame or to the right to decrease the flame. **DO NOT OPEN THE SCREW TOO MUCH: THE SCREW COULD FALL OFF THE STEM AND MAY CAUSE GAS LEAK.**

