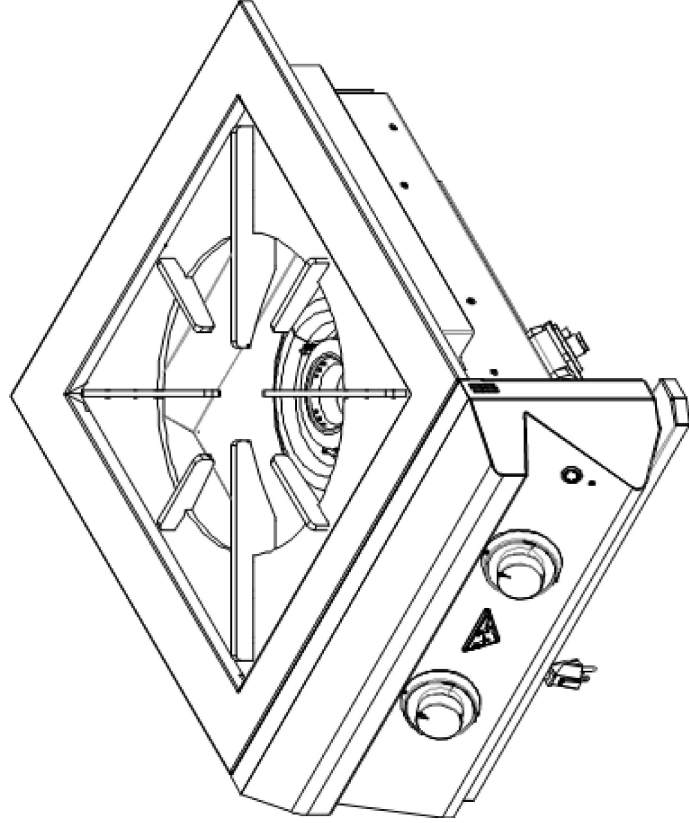




INNOVATION AND INSPIRATION ON FIRE™

**TWIN EAGLES POWER BURNER
GAS CONVERSION KIT FROM NG TO LP
PN: CKLP-TEPB
FOR MODELS: TEPB**



FOR YOUR RECORDS

IMPORTANT: Retain original proof of purchase to establish warranty period.
Please record the following information and refer to this information when contacting the company or an authorized service agent. This information is found on the rating/data plate located on the inside wall of the firebox.

Serial No. of Power Burner:

Date of LP Gas Conversion:

LP Gas Conversion by:



WARNING

BEFORE WORKING ON THIS APPLIANCE, DISCONNECT GAS AND ELECTRICAL SUPPLIES.



WARNING

INSTALLATION/GAS CONVERSION MUST BE PERFORMED BY A QUALIFIED TECHNICIAN.

WARNING: CALIFORNIA PROPOSITION 65

This product can expose you to chemicals including carbon monoxide which is known to the State of California to cause cancer and reproductive harm. To minimize exposure to the by-products of the burning fuel or from combustion, always operate this unit according to the use and care manual and provide good ventilation. California law requires businesses to warn customers of potential exposure to such substances. For more information go to www.P65Warnings.ca.gov.

AVERTISSEMENT: PROPOSITION 65 DE L'ETAT DE LA CALIFORNIE

Cet appareil peut vous exposer aux produits chimiques et au gaz monoxyde de carbone reconnue dans l'Etat de la Californie pour causer le cancer et des problemes de fertilité. Pour minimiser l'exposition de ces-sous produits combustibles ou de la combustion, utiliser toujours cet appareil en conformitee au manuel d'utilisation et d'entretien en s'assurant egalement d'une bonne ventilation. La loi de la Californie exige aux fabricants d'informer leurs clients aux risques d'exposition potentielle a de telles substances. Pour plus d'information, visiter le site www.P65Warnings.ca.gov

In Massachusetts: All gas products must be installed using a "Massachusetts" licensed plumber or gas fitter. A "T" handle type manual gas valve must be installed in the gas supply line to this appliance. This applies to permanently installed natural gas and propane installations. This does not apply to propane portable installations using a 20 pound tank.

1. Check to make sure that you have the LP Gas Conversion Kit as follows:

- A. PN: 15110-49, Orifice #49 (1 pc)
- B. PN: 15110-53, Orifice #53 (1 pc)
- C. PN: S16110, Wire Tie (2 pcs)
- D. PN: 18351, Label, Conversion, Gas (1 pc)
- E. PN: 18655: Gas Conversion Instruction (1 pc)

2. Gas Conversion

- A. Remove the grates and set them aside.
- B. Lift then pull the brass burner towards the back.
 - **Note:** Ensure that the wires for the igniter are not damage while pulling off the burner. When removing the burner, you may need to remove the front panel and cut the wire ties that are retaining the excess length of igniter wire. Use the wire ties provided to retain the wire after the leak test is performed.
- C. Replace the orifice #41 used on NG (Inner Ring of the Burner), and replace it with orifice #53, used for LP (Inner Ring of the Burner). Use a 1/2" Deep Socket and a Socket Wrench to remove and replace the orifice. (Fig. 1)
- D. Replace the orifice #30 used on NG (Outer Ring of the Burner), and replace it with orifice #49, used for LP (Outer Ring of the Burner). Use a 1/2" Deep Socket and a Socket Wrench to remove and replace the orifice. (Fig. 1)
- E. Set the air shutter opening to the following specification: (Fig. 2)
 - Inner Ring Air Shutter: 3/8"
 - Outer Ring Air Shutter: 3/4"
- F. The regulator is located on the bottom right side of the Power Burner. Remove the cap on the regulator then remove the center plastic insert and invert it to show the LP marking. Put the cover back. Connect LP gas line to the regulator directly.

3. Testing

- A. Make sure the regulator has been properly connected, replaced for LP Gas



Before
(Set to NG)



After
(Set to LP)

B. Check for leaks.

C. **NEVER USE THE UNIT WITHOUT FIRST LEAK TESTING THE GAS CONNECTION.**

- a. Prepare a leak testing solution of sudsy water by mixing in a spray bottle with half liquid soap and half water.
- b. Confirm that all control knobs are in the "OFF" position.
- c. Turn the main gas valve supply "ON".
- d. Apply leak testing solution by spraying on the pipe joints, fittings, and hose.
- e. A gas leak is detected if;
 - i. there is a faint gas smell and/or
 - ii. growing bubbles appear on any of the connection points and/or hose. **DO NOT** attempt to turn on the burners and **IMMEDIATELY** turn off the gas supply valve.
- F. When there is a gas leak, call a qualified service technician. **DO NOT** use the unit until the leak is corrected.
- G. Fill up the Conversion Label. Next, paste it next to the original Serial Plate.
- H. The conversion is complete and the unit is ready for installation. Refer back to the Installation Manual.



FIG. 1

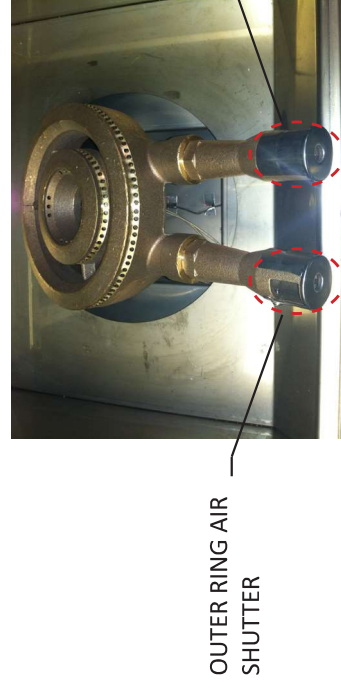


FIG. 2