



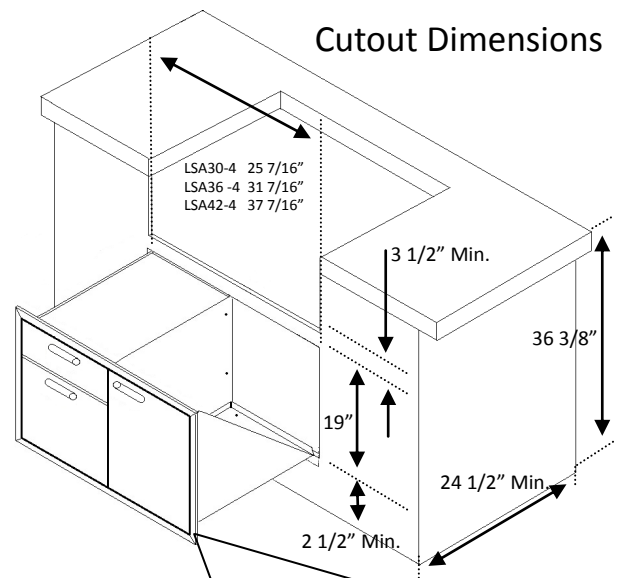
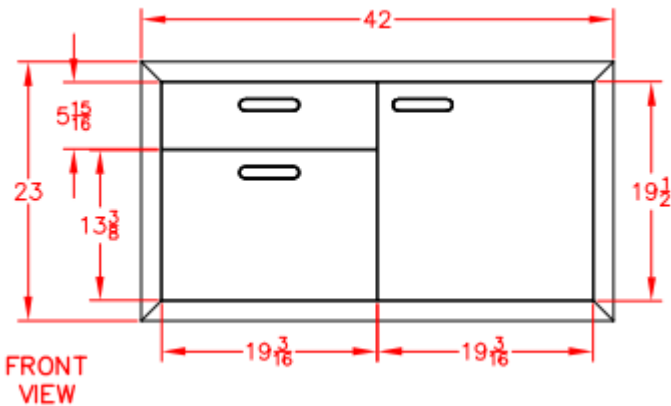
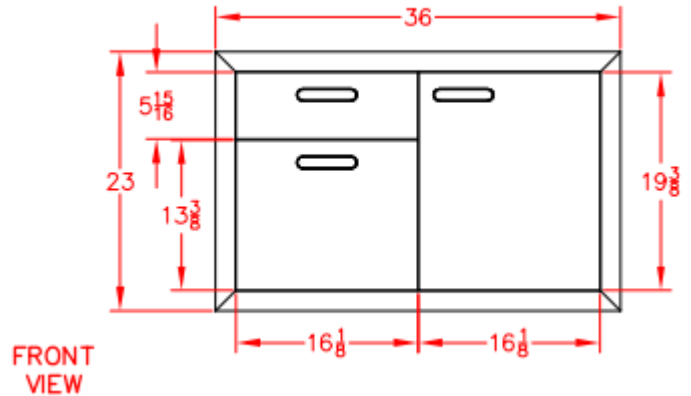
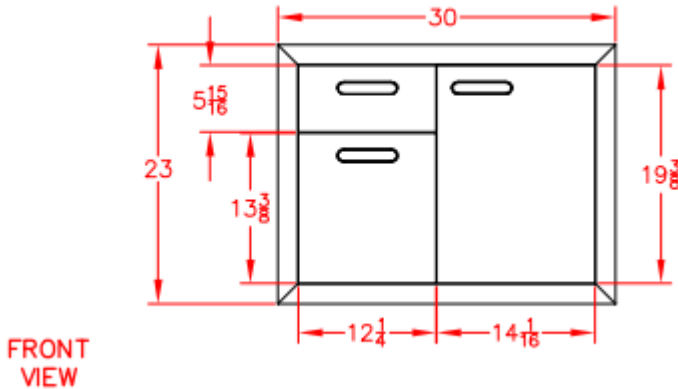
LYNX STORAGE ACCESSORY
 MODELS: LSA30-4, LSA36-4, & LSA42-4

Lynx Storage Accessory

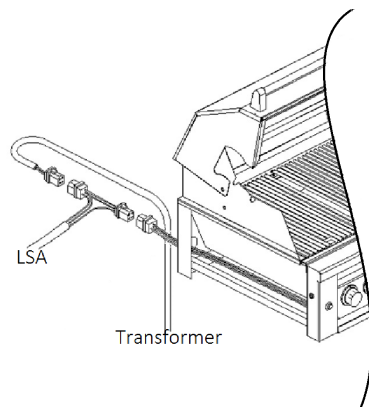
Model No.: LSA30-4, LSA36-4 & LSA42-4

Introduction:

This storage accessory is designed with interior lighting. The stainless steel body is rigidly constructed and has professionally polished stainless steel handles.

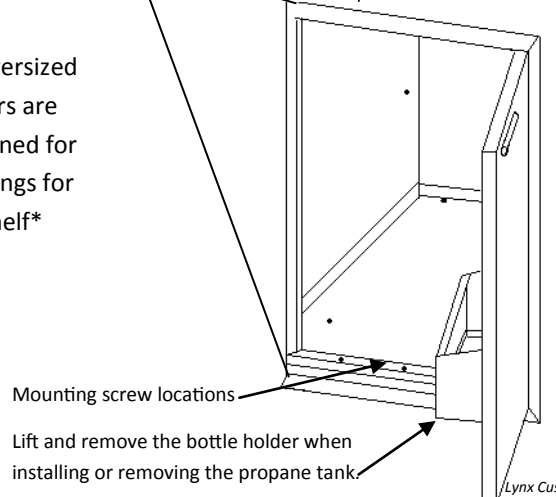


Electrical Connection



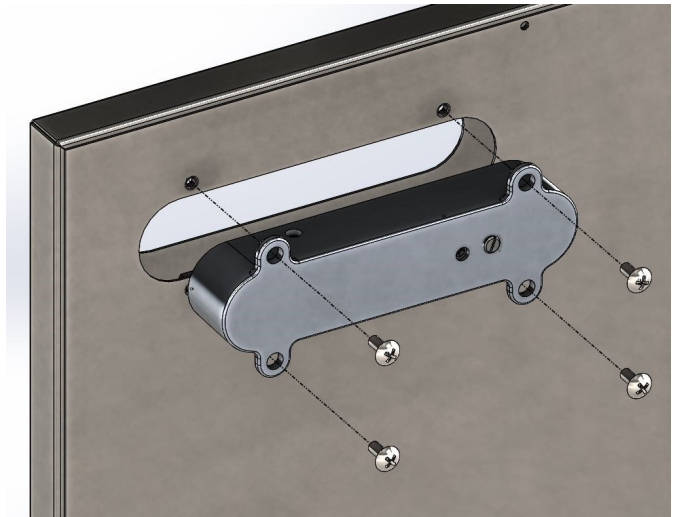
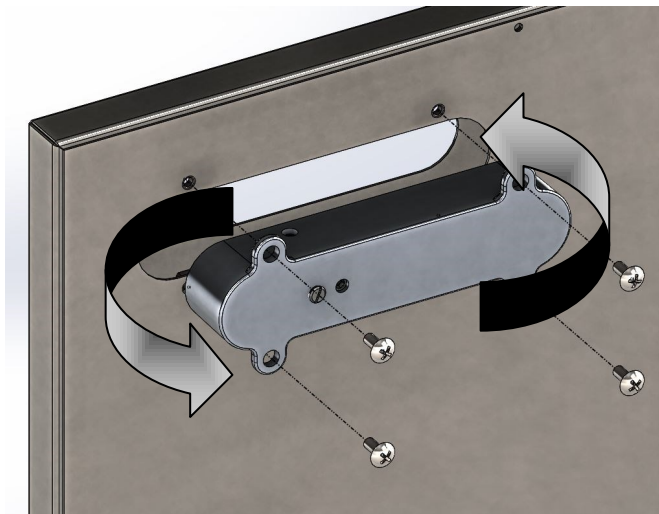
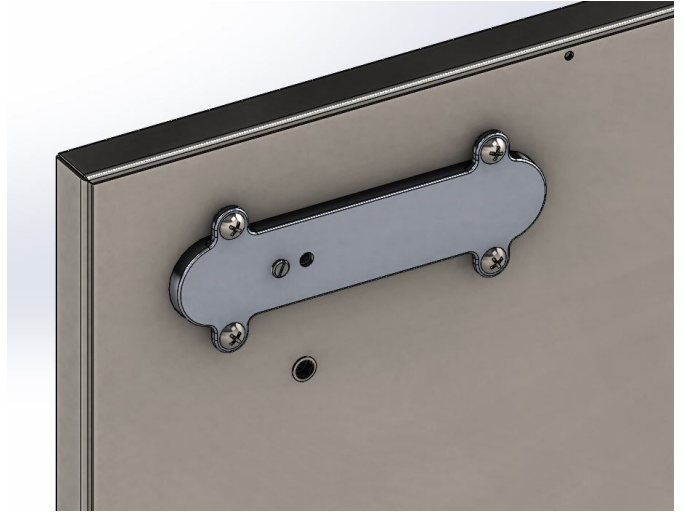
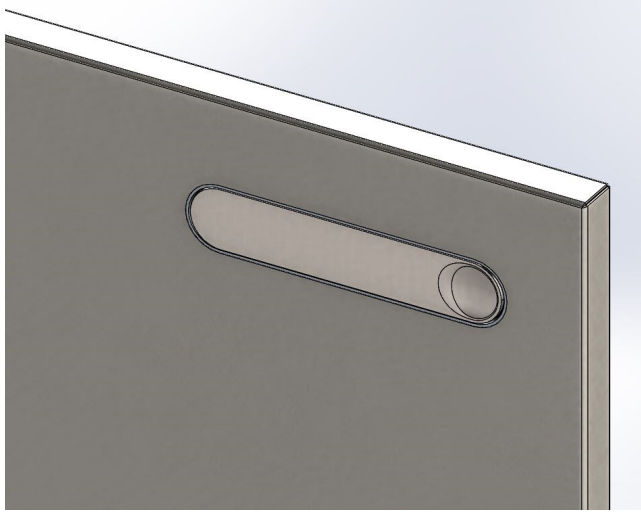
The drawers are 22" deep and accommodate everything from oversized tools to towels. The sliding drawers are removable, self closing and fully lined for cleanliness. The door includes fittings for an easily removable condiment shelf* (sold separately).

* LDRKL (24"/42")
 LDRKS (18"/30"/36")



REVERSAL OF DRAWER HANDLE ORIENTATION

TO CHANGE THE ORIENTATION OF HANDLES , PLEASE REFER TO THE DIAGRAMS BELOW.



Lynx Grills, Inc.
7300 Flores St.
Downey, CA 90242
www.lynxgrills.com
Ph. 562-299-6900



Lynx Customer Care
Ph.: 888-289-5969
Fax: 562-299-6978
Service@lynxgrills.com