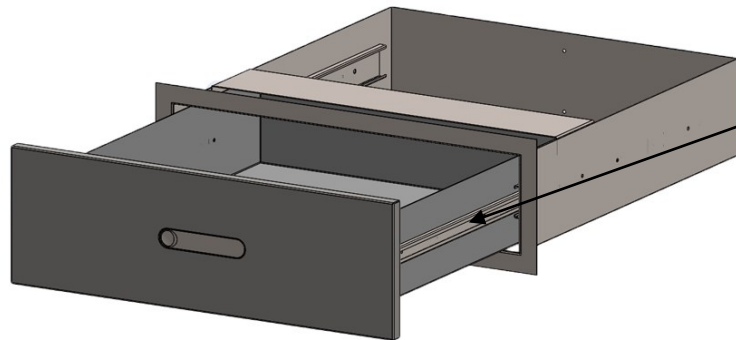


The following instructions are provided to help you install the Lynx Modular Drawer.

Tools required: Rags, Newspaper or similar (to set the drawers on), and Gloves

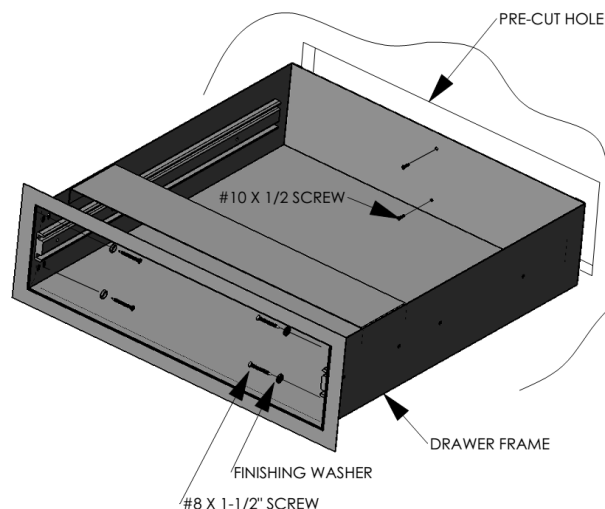
INSTALLATION OF MODULAR DRAWER



START:

STEP 1- REMOVE DRAWER FROM OUTER SLIDE FRAME BY SLIDING DRAWER OUT AWAY FROM FRAME UNTIL DRAWER STOPS. DISENGAGE THE DRAWER SLIDE BY ACTIVATING THE RELEASE LEVERS. PRESS DOWN ON THE RIGHT LEVER AND UP ON THE LEFT LEVER. CAREFULLY PULL DRAWER COMPLETELY AWAY FROM SLIDE.

STEP 2- BEFORE PROCEEDING, PUSH THE REMAINING PORTION OF THE SLIDE (MOUNTED IN THE FRAME) ALL THE WAY IN AND SLIDE THE BALL BEARING TRACK OF THE SLIDE ALL THE WAY BACK UNTIL IT STOPS.



STEP 3- PLACE THE DRAWER FRAME INSIDE THE PRE-CUT HOLE IN THE FRONT OF THE ISLAND (PER CUT-OUT DIMENSIONS ON PAGE 4). CAREFULLY SLIDE THE FRAME ALL THE WAY IN UNTIL THE FRONT FLANGE IS FLUSH WITH THE ISLAND FRONT SURFACE. USE THE #8 X 1-1/2" SCREWS AND FINISHING WASHERS PROVIDED TO SECURE FRAME. IF FRONT SURFACE IS A HARD MATERIAL, IT MAY BE NECESSARY TO DRILL PILOT HOLES WITH A 1/8 TO 5/32 DRILL BIT.

STEP 4- IT IS RECOMMENDED THAT THE REAR OF THE DRAWER FRAME BE SUPPORTED IN ORDER TO UTILIZE THE FULL CAPACITY OF THIS HEAVY DUTY DRAWER SYSTEM. THERE ARE 2 METHODS TO ACCOMPLISH THIS.

METHOD #1- SECURE A VERTICAL SUPPORT, INSIDE THE ISLAND, 23-3/8" BACK FROM THE INSIDE EDGE OF THE ISLAND FRONT. A COMMON 2 X 4 CAN BE USED FOR THIS PURPOSE. USE THE SHORTER #10 X 1/2" SCREWS PROVIDED AND SECURE THE BACK OF THE DRAWER FRAME TO THE SUPPORT BY DRIVING THE SCREW THROUGH THE BACK FRAME AND INTO THE SUPPORT.

METHOD #2- SEE PAGE 2.

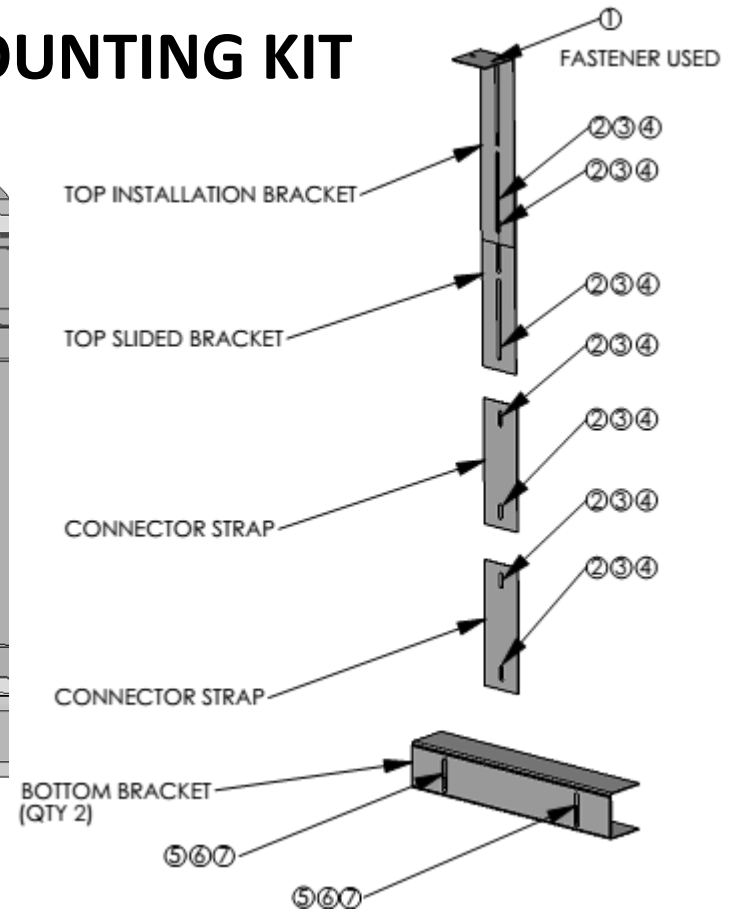
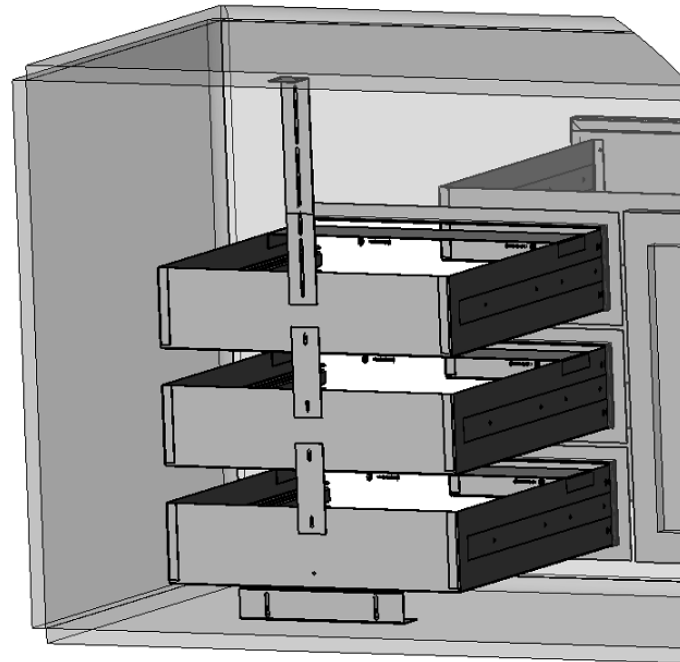
STEP 5- REINSTALL DRAWER INTO DRAWER FRAME ASSURING FIRST THAT THE BALL BEARING TRACK IS POSITIONED TOWARD THE REAR OF EACH SLIDE. ALIGN SLIDES AND PUSH DRAWER FIRMLY INTO FRAME AND ALL THE WAY TO THE CLOSED POSITION BEFORE ATTEMPTING TO RE-OPEN. RESISTANCE WILL OCCUR DURING THE INSERTION PROCESS.

DO NOT ATTEMPT TO OPEN DRAWER BEFORE IT HAS BEEN INITIALLY FULLY INSERTED.

LYNX MODULAR DRAWER MOUNTING KIT

FASTENERS SUPPLIED:

- 1) #10 X 1/2" TYPE 'A' SCREW (QTY 2)
- 2) #8-32 X 3/8" MACHINE SCREW (QTY 8)
- 3) #8-32 LOCK NUT (QTY 8)
- 4) #12 X 1/2" O.D. FLAT WASHER (8)
- 5) 1/4-20 X 1/2" MACHINE SCREW (QTY 2)
- 6) 1/4-20 LOCK NUT (QTY 2)
- 7) 1/4" X 11/16 O.D. FLAT WASHER (QTY 2)



STEP 1- ALIGN TOP INSTALLATION BRACKET WITH REAR EDGE OF UPPER DRAWER FRAME. IF THIS BRACKET DOES NOT REACH THE DRAWER FRAME, ADD THE TOP SLIDER BRACKET AND ASSEMBLE WITH 2 SETS OF #8 SCREWS, NUTS, AND WASHERS (ITEMS #2, #3 & #4). ADJUST THESE 2 BRACKETS SO THAT, WHEN POSITIONED BEHIND DRAWER AND HOLES ARE ALIGNED, THE DRAWER HANGS LEVEL. SECURE THE TOP INSTALLATION BRACKET TO THE UNDER SIDE OF THE ISLAND TOP BY FIRST PRE-DRILLING (2) 5/32 HOLES (1/2" DEEP MAX) AND INSTALLING (2) #10 X 1/2" TYPE 'A' SCREWS (ITEM #1). FASTEN THE LOWER END OF THE BRACKET ASSEMBLY TO THE UPPER HOLE AT THE REAR OF THE DRAWER FRAME. USE THE #8 SCREW, NUT AND WASHER (ITEMS #2, #3 & #4). IF YOU ARE ONLY INSTALLING (1) DRAWER, YOU ARE NOW FINISHED. IF MORE THAN (1) DRAWER IS BEING INSTALLED, GO TO STEP 2.

STEP 2- ATTACH THE SECOND DRAWER TO THE FIRST (TOP) DRAWER BY USING THE CONNECTOR STRAP. ALIGN THE TOP SLOT OF THE STRAP TO THE BOTTOM HOLE AT THE REAR OF THE UPPER DRAWER FRAME. SECURE WITH #8 SCREW, NUT, AND WASHER (ITEMS #2, #3, #4). ALIGN THE BOTTOM SLOT OF THE STRAP WITH THE TOP HOLE AT THE REAR OF THE SECOND DRAWER FRAME. REPEAT THIS PROCESS, USING THE SECOND CONNECTOR STRAP, FOR THE THIRD (BOTTOM) DRAWER.

STEP 3- ASSEMBLE THE 2 HALVES OF THE BOTTOM BRACKET INTO A 'U' SHAPE BY USING THE (2) 1/4-20 X 1/2" MACHINE SCREWS, NUTS, AND WASHERS (ITEMS #5, #6, & #7). HAND TIGHTEN ONLY., PLACE THIS BRACKET ASSEMBLY UNDER THE THIRD (BOTTOM) DRAWER FRAME. ADJUST BRACKET ASSEMBLY UNTIL IT FIRMLY CONTACTS THE BOTTOM OF THE DRAWER FRAME. TIGHTEN SCREWS AND NUTS SECURELY. NO ADDITIONAL FASTENERS ARE REQUIRED. PLEASE NOTE- THIS BOTTOM BRACKET IS USED FOR ADDITIONAL SUPPORT IN A 3-DRAWER INSTALLATION. IT CAN ALSO BE USED INSTEAD OF THE TOP BRACKET ASSEMBLY IN A 3-DRAWER INSTALLATION WHERE IT IS NOT DESIRED TO DRILL INTO THE TOP ISLAND SURFACE.

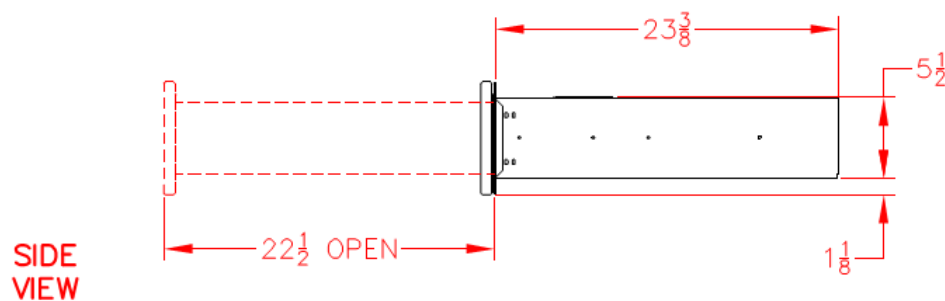
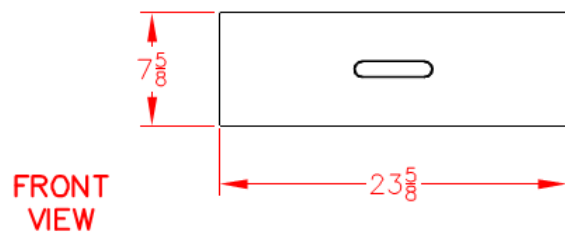
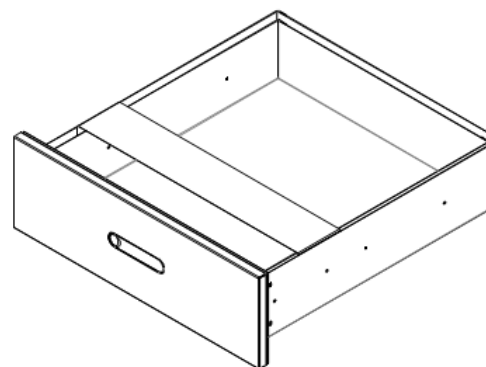
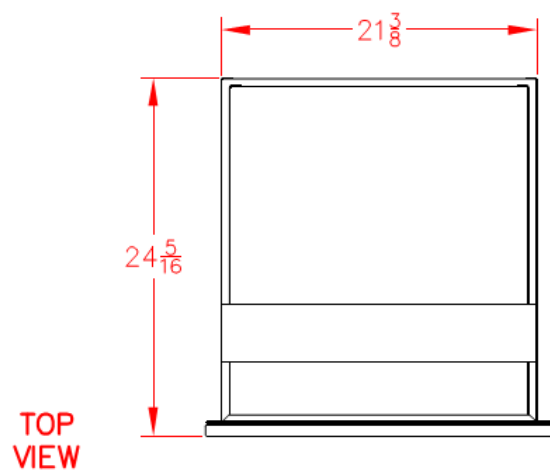
Lynx Customer Care
Ph.: 888-289-5969
Fax: 562-299-6978
service@lynxgrills.com



Lynx Grills, Inc.
7300 Flores St.
Downey, CA 90242
www.lynxgrills.com

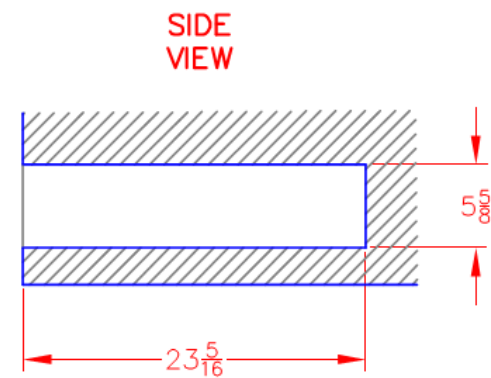
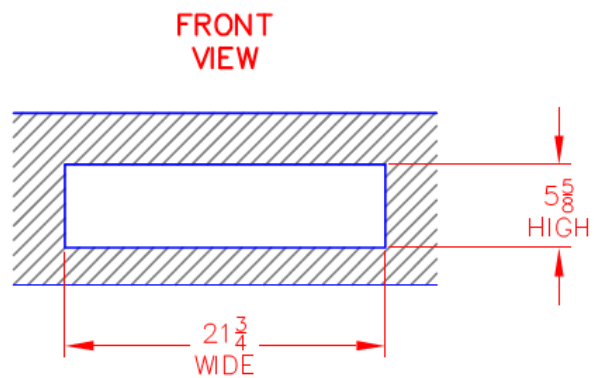
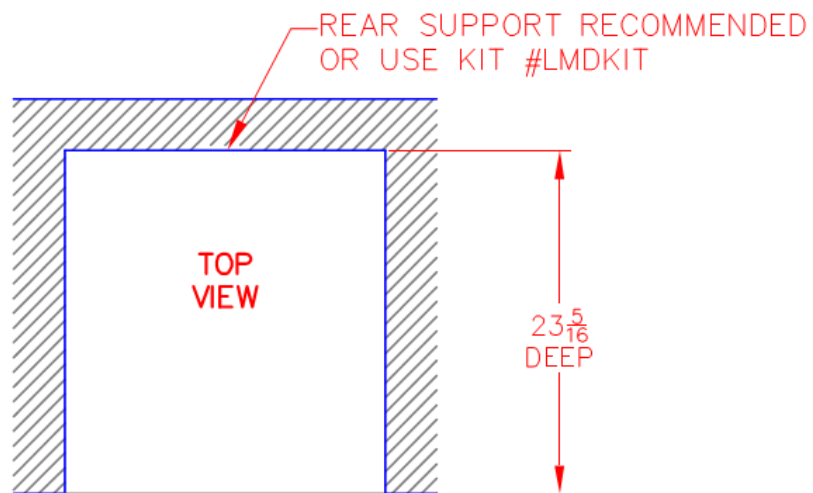
P/N# 35832 2

LMD MODULAR SHALLOW DRAWER PRODUCT DIMENSIONS



04/14/16

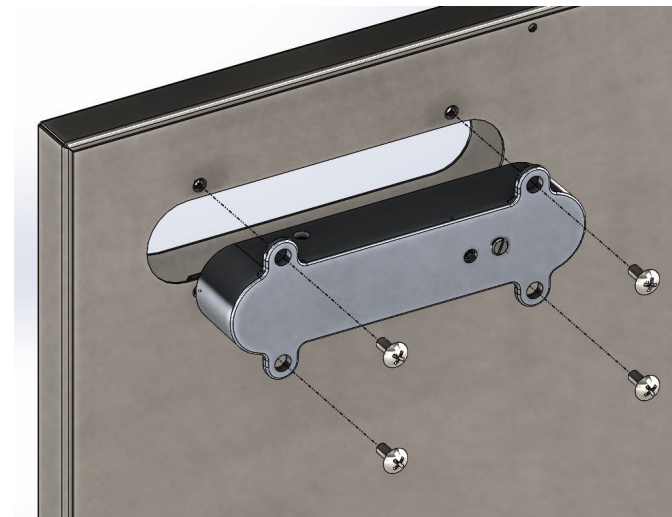
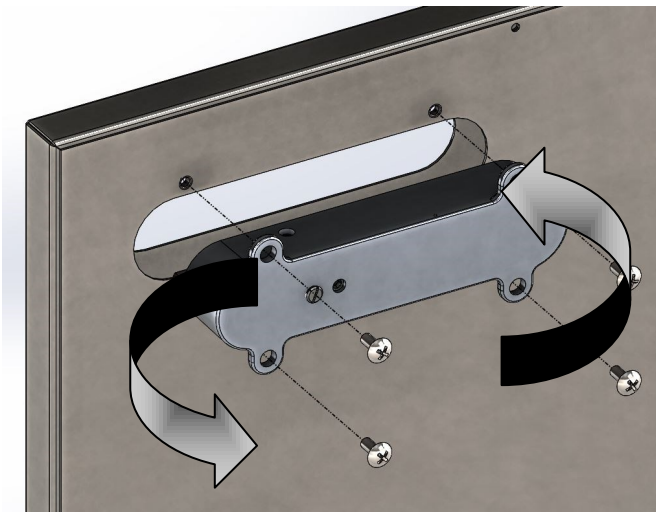
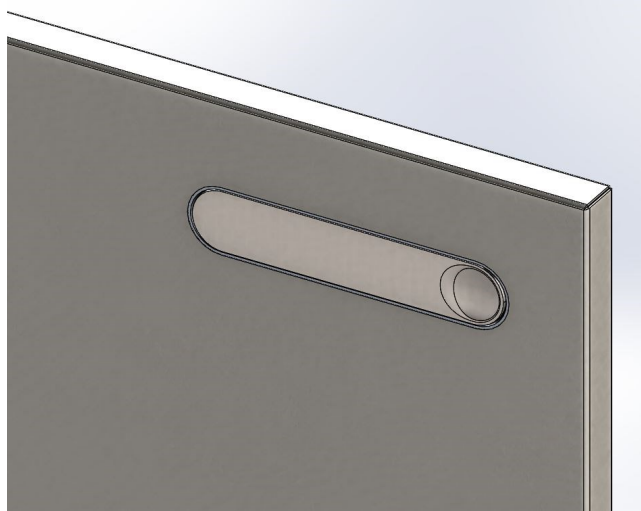
LMD MODULAR SHALLOW DRAWER CUTOUT DIMENSIONS



04/14/16

REVERSAL OF DRAWER HANDLE ORIENTATION

TO CHANGE THE ORIENTATION OF HANDLES , PLEASE REFER TO THE DIAGRAMS BELOW.



Lynx Customer Care
Ph.: 888-289-5969
Fax: 562-299-6978
service@lynxgrills.com



Lynx Grills, Inc.
7300 Flores St.
Downey, CA 90242
www.lynxgrills.com

P/N# 35832 5