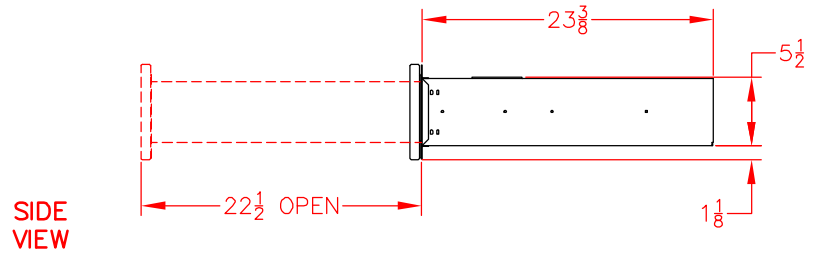
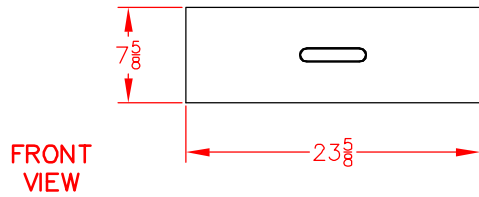
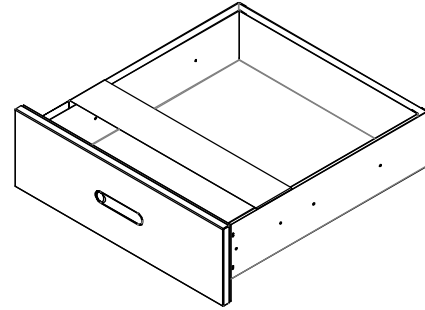
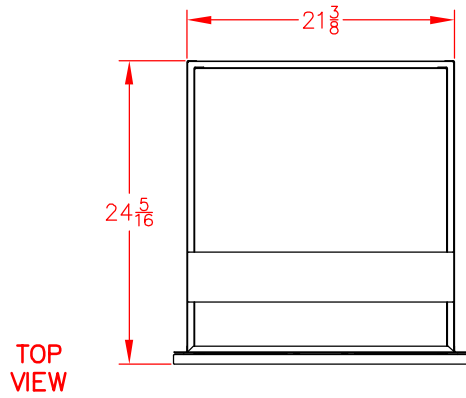


LMD MODULAR SHALLOW DRAWER

PRODUCT DIMENSIONS



CUTOUT DIMENSIONS

