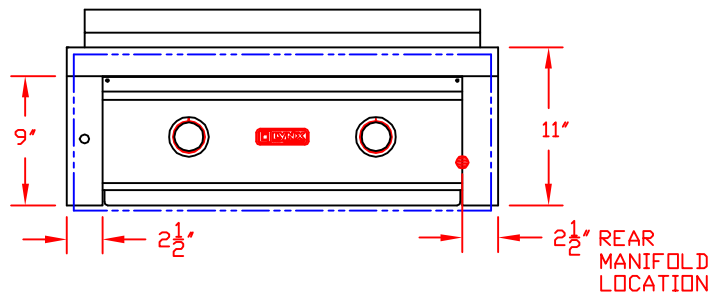
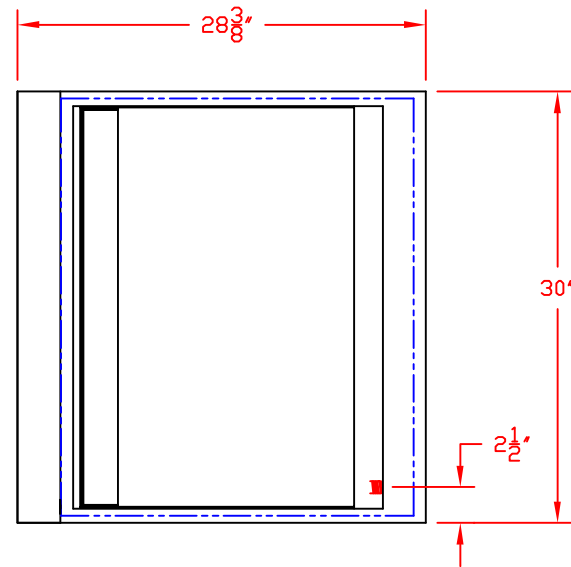
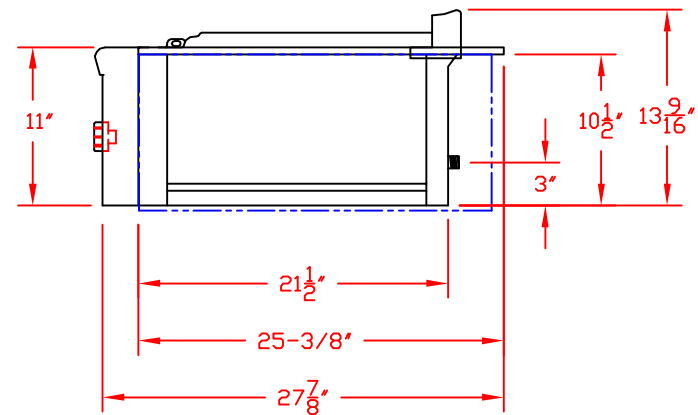


LYNX BUILT-IN 30"
W/ DIMENSIONS
ISLAND CUTOUT IN BLUE

TOP VIEW



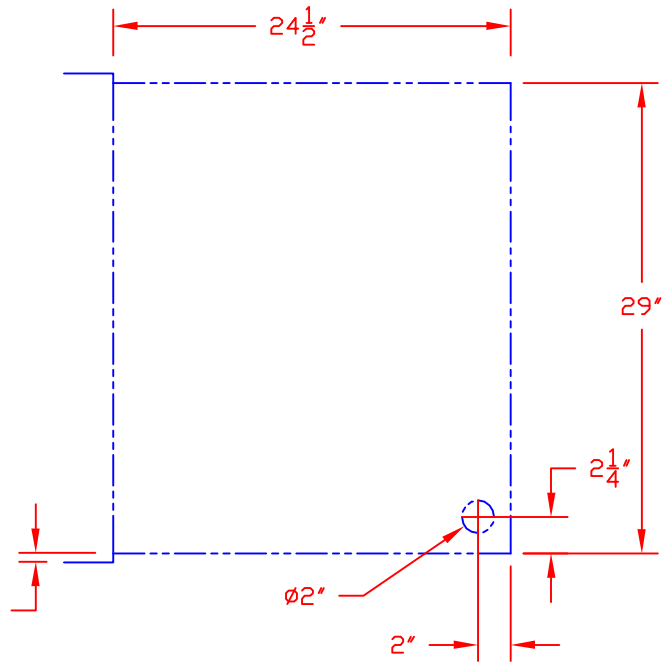
FRONT VIEW



RIGHT SIDE VIEW

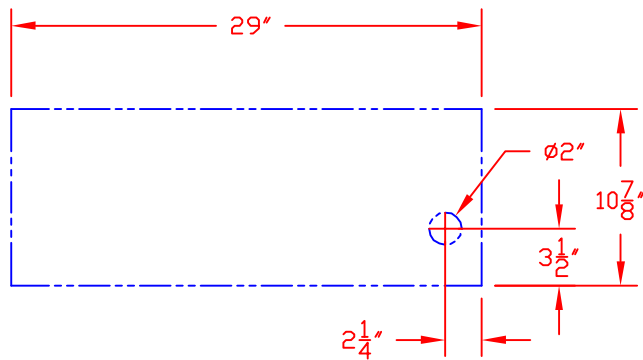
LYNX BUILT-IN 30" ISLAND CUTOUT

TOP VIEW



ISLAND FRONT
OVERHANG NOTCH $\frac{9}{16}"$

FRONT VIEW



SIDE VIEW

