

LYNX PROFESSIONAL SERIES



 **LYNX**[®]

LIVE THE LYNX LIFE



LYNX LIFE	4
PROFESSIONAL SERIES	7
PROFESSIONAL FEATURES	8
LYNX CHEF'S PANEL	12
BUILT-IN GRILLS	14
FREESTANDING GRILLS	22
LYNX SMART SERIES	30
SMART GRILLS	32
SMART SMOKERS	34
LYNX SPECIALTY COOKING	37
NAPOLI OUTDOOR OVEN™	38
ASADO COOKTOP	42
PROFESSIONAL BURNERS	46
WARMING DRAWERS	50
LYNX OUTDOOR KITCHENS	53
DESIGN CENTER	54
REFRIGERATION	56
VENTANA STORAGE COLLECTION	60
CLASSIC STORAGE COLLECTION	66
SIMS AND COCKTAIL SOLUTIONS	72
OUTDOOR HEATING	74
ACCESSORIES	77
SPECIFICATIONS	80
WARRANTY	90

Lynx is committed to providing the best customer experience and product service possible. We have a dedicated team of highly trained professionals to answer your needs Monday–Friday during regular business hours.

For technical questions or service please
e-mail: service@lynxgrills.com
or call: 888.289.5969



LYNX

LIVE THE LYNX LIFE

LYNXGRILLS.COM

It's more than a grill, it's a state of mind. Born in Southern California, and rooted in a mix of stunning geography, idyllic weather, and healthy, stylish people, and healthy, adventurous cuisine. It's an environment that drives innovation, comfort, and ingenuity. A place that is the envy of a nation cursed to conform to the seasons.

It's only natural that a superior outdoor suite of cooking equipment would come from here. Where better to craft the perfect luxury lifestyle product?

More than just a place, more than just a grill, it's a way of life.

We invite you to live the Lynx Life.



LYNX PROFESSIONAL SERIES

The Professional Life is all about the details. It's luxurious living, and hand craftsmanship. It's foods prepared on the finest materials money can buy. Crafted by those who know their art. New technology designed and implemented by edgy thinkers, determined to elevate the culinary arts, no matter what's being prepared - from traditional BBQ to luxurious recipes.

The Lynx Professional isn't for show, it's a work of art. It's not about glamour, it's about cooking on a superior machine. One so well engineered and built, that it can seamlessly blend into an elegant outdoor room, but perform on par with its professional restaurant cousins.

A better life deserves a better grade of grill.

LYNXGRILLS.COM



LYNX PROFESSIONAL SERIES FEATURES

Our unrelenting attention to detail and our passion for innovation have fostered the stunning features that define the Lynx Professional Series.

These features begin with meticulous hand-crafted excellence, and they culminate in powerful capabilities that give you precision control. They give you the power to perfectly finish a baseball cut of top sirloin, smoke a swordfish steak, slowly brown a rotisserie leg of lamb, or even char a leaf of lettuce without wilting the edge.

If you are accustomed to tasting the best that the world has to offer, then you have been waiting for the Lynx Professional Series.



SMART SERIES

A modern home interacts with you. Its temperature, lighting, security, and more are connected to your mobile device. Its music and mood can shift as you move room to room.

So, what if your mobile device could check on your grill from across the party—or choose a recipe with preset cooking times and settings?

It can. It's beautiful and it's brilliant—the Lynx Smart Series.



TRIDENT™ INFRARED BURNER

When you have refined taste, you recognize perfect control. You relish performance that you can restrain—and call upon at your own will. Traditional grill burners are hard to control, because they cook by heating the air around your food. That takes time to change.

A Lynx Trident™ Infrared Burner directly heats the grate beneath your food with 23,000 BTUs of intensive heat. With temperature control that's instantaneous, ranging from 300°-1,000°, it's the method employed by the world's leading chefs, and now it's in your grill. This kind of control can cook a perfect salad—putting a delicious char on romaine lettuce without wilting a leaf. Now, just imagine what it does for tenderloin or tilapia.

Feel the precision of perfect control.



CERAMIC BURNER

The finest cuisine is original and inspired. But it's never unpredictable. Traditional grill burners are inconsistent, because their metal changes as they cook. They suffer when extreme heat expands and contracts the metal, loosening bonds over time. Performance weakens as food residue clogs ports, or corrosive outdoor weather degrades the material.

The Lynx ceramic burner is made from corundite ceramic, a material chosen for kilns and commercial ovens because of the temperatures that it endures. We tested these burners relentlessly, igniting them thousands of times, even when encrusted with sauce or encased with ice.

When we place these radiant gems at the heart of your Lynx Grill, we harness them to controls that let you precisely tune a power you haven't felt before.

LYNX PROFESSIONAL SERIES FEATURES

SEAMLESS WELDED CONSTRUCTION

The Lynx workshop in California is a study in skill, a lesson in craft. A welder pauses to focus on an unwelded seam... then, with one swift and steady stroke, he sweeps his torch across the seam—like painting a perfect line—and an unbroken edge emerges.

It's over in a second, and that's how it has to be done. We do not use mechanical fasteners. We form every sheet of metal into a solitary, seamless body of shimmering steel, free of gaps and seams where moisture could collect. Hand-tooled, precision welded, and highly polished by the skilled specialists in our shop, each and every grill is inspected before it leaves our floor. We examine details on every side, step back, and check reflections in every light, to ensure that your grill embodies Lynx—finished with invisible welds and hand-polished edges that shine like mirrors.



HEAT STABILIZING DESIGN

Nature's tempests can arise in even in the most scenic places. Mountain resorts, beachside villas, and even inland estates are sometimes subject to great and turbulent gusts of wind.

Lynx has found that these gusts can affect typical grills, entering through the vents. They create swirls of temperature change beneath the grill's hood, and subject tender cuisine to uneven cooking. Our research led us to develop an exclusive wind-deflecting fin along the back of our hoods.

It's how we ensure that people in spectacular places can always create spectacular food.



HOT SURFACE IGNITION

Everything you cook with a Lynx can have a perfect finish.

And it can have a perfect start.

Lynx Hot Surface Ignition lights your grill with the push of a knob. It is weather-tested electronic ignition that simply works, every time, vaporizing the uncertainty and inconvenience of lighting traditional gas grills.

The Lynx Life deserves a perfect beginning.

It's easy, from start to finish.



CERAMIC RADIANT BRIQUETTES

Perfect outdoor cooking begins with even heat.

Charcoal briquettes can form a steady glow of heat beneath your food—but traditional gas grill burners can create irregular hot spots, forcing you to continually flip and move your food to achieve an even finish.

With Lynx Ceramic Briquettes, your gas grill emanates a perfectly even heat across the base of your grill. For your convenience, in five minutes, you can cleanse the briquettes by reversing the tray and raising the heat.



ROTISSERIE SYSTEM

A rotisserie unlocks a new realm of food. There is no better way to carefully and evenly cook generous meats like whole chickens and roasts, or baskets of vegetables, chicken wings, and sides.

The Lynx Rotisserie has a dedicated burner, selectable positions, and selectable speeds to ensure you have a full range of options. With the optional Lynx Rotisserie Basket, you can carefully cook smaller dishes and sides while preparing a main—you can even roast your own coffee beans. It's simply mesmerizing to watch the Lynx rotisserie steadily turn, summoning mouth-watering scents as it elicits a crisp exterior and succulent interior for lemon rotisserie chicken, red wine leg of lamb, a honey glazed ham, or a bourbon rotisserie pork roast.

The image lingers for a while, but the aroma is unforgettable.

SMOKER BOX

When a meal has been cooked with seasoned wood smoke, it has a flavor that's like nothing else. It's something that must be experienced—a nuance of hickory, mesquite, pecan—the tastes are legendary, the aromas unmistakable.

That's why we provide our stainless steel smoker box, and why we make sure it's easy to use. You don't always need to use it, but you always need to have the choice.



IGNITION SYSTEM

INTEGRATED ILLUMINATION

The Lynx Life continues all day long, all year round. And there's a mystical air that arises, just as the sun starts to set and the evening arrives. It's a beautiful time to grill... if you can.

Every Lynx grill incorporates elegant blue illumination emanating from each knob with a calm blue light. As you lift the lid, intuitive halogen illumination shows you exactly how your food is looking.

So, just check in on your food.

Then, get back to basking in the sundown grill aroma. It seems to steal an amber essence from the last of the sun.

EXPANSIVE GRILLING SURFACE

The Lynx Life is expansive and deep. It has space to move and relax, always has room for more, and never feels limited or confined.

So, we built our grills with more space in mind.

Our expansive grilling surfaces provide greater depth, extending to more than 20 inches deep on most models.

You might not need it all. It just feels good to have it.



LYNX HOOD ASSIST

Solid stainless steel gives our grills a sense of substance.

They feel firm at every touch, with a sound and an aura of permanence.

But you can lift the hoods with just a finger—each one is centrally balanced, and has a heat-treated assist system that makes it surprisingly weightless to open and close.

You'll probably do it twice—just to feel it again.

Go ahead. Everyone does.

The Flametrak™ safety system uses a sensor that can tell if a burner's flame is out. The sensor tries to relight the burner, then shuts off the burner's gas if there is no flame for 13 seconds. With a sensor on each burner, the Flametrak system helps provide grill safety whether a flame fails to ignite or a flame blows out.

NOTIFICATIONS

The Flametrak system tells grill users when it has taken action. The Flametrak indicator just above each burner knob lets grill users check the flame's status at a glance, rather than having to open the grill and look for a flame beneath the grates.

THE SCIENCE BEHIND THE SAFETY

The Flametrak system is based on flame rectification. Flame rectification is the effect where electrical current changes from alternating current (AC) to direct current (DC) as it passes through a flame. If the current does not change to DC, then the Flametrak switch knows the flame is out—and it relights or shuts off the gas. Flame rectification is proven technology that many water heaters and other devices use to confirm the presence of a flame.

THE LYNX ALL TRIDENT GRILL

In 2018, the Lynx All Trident Grill is the first grill to feature the Flametrak safety system. It sets the industry standard in performance and safety. The Flametrak safety system is patent pending.



FLAMETRAK INDICATOR ERROR

THE LYNX PROFESSIONALS

THE LYNX PROFESSIONALS

Experience counts.

We understand that, from the work that skilled artisans perform in our workshop each day, Experience is the only way to create the beautiful finishes, the flawless seams, and the precise alignments that you find in all our Lynx products.

And experience counts in the world of an outdoor kitchen. That's why we consult with culinary and design masters to gather feedback, develop innovations, and follow the latest inspirations in flavor.

To stay inspired, visit lynxgrills.com and visit the Lynx Life menu to meet our Lynx Professionals and follow us on social media.



KENT RATHBUN
DALLAS, TX
IRON CHEF WINNER / IMOTO DALLAS / RESTAURATEUR

"As a chef I have been fortunate enough to work with many brands of equipment but when it comes to outdoor appliances, I find Lynx to be the Porsche of outdoor kitchen products."



DONATELLA ARPAIA
NEW YORK, NY
IRON CHEF JUDGE / RESTAURATEUR

"My Lynx outdoor kitchen is beautiful, powerful and uses the latest technology. The grill cooks more evenly than any other grill and the made in America craftsmanship made it the only choice for me. There isn't anything I can't cook outside that I can inside. Our outdoor kitchen has become the heart of our home."



MICHAEL SCHWARTZ
MIAMI BEACH, FL
JAMES BEARD WINNER / RESTAURATEUR

"I'm honored to be part of the Lynx Chef Panel and work with its innovative products. Grilling is one of the simplest ways to build flavor into a dish and has always played an important role in my approach to cooking."



MATTHEW EADS
SPRINGFIELD, VA
GOURMET GRILLER / COOKBOOK AUTHOR

"I chose Lynx because they are the pinnacle of form, function, versatility and durability. The attention to detail that goes into every Lynx product is extraordinary with a product portfolio that allowed me to build my dream outdoor kitchen where the culinary possibilities are only limited by my imagination."



DRES
LOS ANGELES, CA
DIRECTOR OF CULINARY DEVELOPMENT AT LYNX GRILLS /
CHEF-OWNER OF DINNER WITH DRES / THE CUT

"The thing that blows my mind every time I turn on a Lynx Grill is how insanely hot it can get in a short amount of time. Realizing how fast it responds to heat adjustments when cooling it down for slow cooking after searing, or quickly heating up for reverse searing, made me realize we can almost forget everything we know about traditional grilling. These machines are perfect."



GLENN LYMAN
CHARLOTTE, NC
CHEF TO THE ATHLETES

"When I think about time spent around the grill, I recall a lifetime of experience and quality time with family and friends. I cherish the memories of hanging out around the grill, sharing stories, swapping recipes, and making plans for the next gathering. Imagining the great taste and smell of grilled food sparks up nostalgia I will never forget. Thanks to the championship quality of Lynx, I have a real home-court advantage in the outdoor kitchen."



DAN BRUNN
LOS ANGELES, CA
PRINCIPLE AT DBA ARCHITECTURE — FOUNDER OF BRIDGE HOUSE LA

"I greatly appreciate the clean lines, and timeless design. Above all though, it's married to performance. Lynx products embody the notion of form follows function, which is inherent in our design language. Also, there is a complete product portfolio, which makes it really easy to choose and outfit a truly integrative outdoor kitchen."



JEFF VALENSON
LOS ANGELES, CA
INTERIOR DESIGNER

"Outdoor entertaining spaces are a large and important part of most, if not all, of our projects. Lynx provides a complete handsome product line of the highest quality to fulfill the wishes of even the most discerning clients. We are proud to call Lynx our go-to grill and outdoor kitchen provider whatever the project size or client needs."

LYNX 54" PROFESSIONAL BUILT-IN GRILL



OPEN VIEW

PRODUCT OVERVIEW

- Precise power—one Trident™ Infrared Burner and three Cast Ceramic Burners combining to provide up to 98,000 BTU
- Generous capacity—1,555 square inches of cooking surface (1,110 primary, 445 secondary)
- Slow-cooking excellence—with a dual-position rotisserie internally powered by a heavy-duty three-speed motor, and a rear infrared burner delivering up to 14,000 BTU
- Indulgent extra—premium smoker box included
- Beautiful illumination—luminous blue-lit control knobs
- Steady performance—heat-stabilizing design
- Reliable speed—Hot Surface Ignition system lights burners quickly and safely
- Perfect clarity—dual halogen grill surface lights
- Quick visibility—temperature gauge
- Easy opening—Lynx Hood Assist
- Smooth movement—fluid rotation handle
- Premier platform—stainless steel grilling grates
- Steadfast durability—heavy-duty welded construction eliminates gaps where grease can collect
- Open options—available in Natural Gas and LP

MODEL DESCRIPTION

MODEL	DESCRIPTION
LS3TR	54" Built-In Grill - 1 Trident Burner with Rotisserie
LIJ54	Insulating Jacket for 54" Built-In Grill
CC54	54" Carbon Fiber Vinyl Cover (Built-In)

NOTE: Must specify gas type—NG for Natural Gas or LP for Propane



LYNX PROFESSIONAL BUILT-IN GRILLS

A built-in Lynx Professional grill is a crowning jewel, waiting to be set at the center of your outdoor kitchen.

LYNX 42" PROFESSIONAL BUILT-IN GRILL



OPEN VIEW

PRODUCT OVERVIEW

- Diverse choices—available in three different burner configurations
- Generous capacity—1,200 square inches of cooking surface (855 primary, 345 secondary)
- Slow-cooking excellence—with a dual-position rotisserie internally powered by a heavy-duty three-speed motor, and a rear infrared burner delivering up to 16,000 BTU
- Indulgent extra—premium smoker box included
- Beautiful illumination—luminous blue-lit control knobs
- Steady performance—heat-stabilizing design
- Reliable speed—Hot Surface Ignition system lights burners quickly and safely
- Perfect clarity—dual halogen grill surface lights
- Quick visibility—temperature gauge
- Easy opening—Lynx Hood Assist
- Smooth movement—fluid rotation handle
- Premier platform—stainless steel grilling grates
- Steadfast durability—heavy-duty welded construction eliminates gaps where grease can collect
- Open options—available in Natural Gas and LP

MODEL	DESCRIPTION
L42R-3	42" Built-In Grill with Rotisserie
L42TR	42" Built-In Grill - 1 Trident IR Burner with Rotisserie
L42AIR	42" Built-In Grill - All Trident IR Burner with Rotisserie
LW42	Insulating Jacket for 42" Built-In Grill
CC42	42" Carbon Fiber Vinyl Cover (Built-In)

NOTE: Must specify gas type—NG for Natural Gas or LP for Propane

LYNX 36" PROFESSIONAL BUILT-IN GRILL



OPEN VIEW

PRODUCT OVERVIEW

- Diverse choices—available in three different burner configurations
- Ample capacity—935 square inches of cooking surface (640 primary, 295 secondary)
- Slow-cooking excellence—with a dual-position rotisserie internally powered by a heavy-duty three-speed motor, and a rear infrared burner delivering up to 14,000 BTU
- Reliable speed—Hot Surface Ignition system lights burners quickly and safely
(Note: Grill with Flametraq™ uses a high-speed Spark Ignition rather than Hot Surface Ignition)
- Unprecedented safety—FLAMETRAK™ safety system shuts off the gas if the flame goes out *(available only on the L36GATR Model)*.
- Indulgent extra—premium smoker box included
- Beautiful illumination—luminous blue-lit control knobs
- Steady performance—heat-stabilizing design
- Perfect clarity—dual halogen grill surface lights
- Quick visibility—temperature gauge
- Easy opening—Lynx Hood Assist
- Smooth movement—fluid rotation handle
- Premier platform—stainless steel grilling grates
- Steadfast durability—heavy-duty welded construction eliminates gaps where grease can collect
- Open options—available in Natural Gas and LP

MODEL	DESCRIPTION
L36R-3	36" Built-In Grill with Rotisserie
L36TR	36" Built-In Grill - 1 Trident IR Burner with Rotisserie
L36AIR	36" Built-In Grill - All Trident IR Burner with Rotisserie
L36GATR	36" Built-In All-Trident Grill with Rotisserie and Flametraq
LW36	Insulating Jacket for 36" Built-In Grill
CC36	36" Carbon Fiber Vinyl Cover (Built-In)

NOTE: Must specify gas type—NG for Natural Gas or LP for Propane



LYNX 30" PROFESSIONAL BUILT-IN GRILL



OPEN VIEW

PRODUCT OVERVIEW

- Diverse choices—available in three different burner configurations
- Ample capacity—840 square inches of cooking surface (600 primary; 240 secondary)
- Slow-cooking excellence—with a dual-position rotisserie internally powered by a heavy-duty three-speed motor, and a rear infrared burner delivering up to 14,000 BTU
- Indulgent extra—premium smoker box included
- Beautiful illumination—luminous blue-lit control knobs
- Steady performance—heat-stabilizing design
- Reliable speed—Hot Surface Ignition system lights burners quickly and safely
- Perfect clarity—halogen grill surface light
- Quick visibility—temperature gauge
- Easy opening—Lynx Hood Assist
- Smooth movement—fluid rotation handle
- Premier platform—stainless steel grilling grates
- Steadfast durability—heavy-duty welded construction eliminates gaps where grease can collect
- Open options—available in Natural Gas and LP

MODEL	DESCRIPTION
L30R-3	30" Built-In Grill with Rotisserie
L30R	30" Built-In Grill - 1 Trident IR Burner with Rotisserie
L30AR	30" Built-In Grill - All Trident IR Burner with Rotisserie
LI30	Insulated Jacket for 30" Built-In Grill
CC30	30" Carbon Fiber Vinyl Cover (Built-In)

NOTE: Must specify gas type—NG for Natural Gas or LP for Propane

LYNX 27" PROFESSIONAL BUILT-IN GRILL



OPEN VIEW

PRODUCT OVERVIEW

- Diverse choices—available in two different burner configurations
- Ample capacity—685 square inches of cooking surface (470 primary; 215 secondary)
- Slow-cooking excellence—with a dual-position rotisserie internally powered by a heavy-duty three-speed motor, and a rear infrared burner delivering up to 14,000 BTU
- Indulgent extra—premium smoker box included
- Beautiful illumination—backlit blue-lit control knobs
- Steady performance—heat-stabilizing design
- Reliable speed—Hot Surface Ignition system lights burners quickly and safely
- Perfect clarity—halogen grill surface light
- Quick visibility—temperature gauge
- Easy opening—Lynx Hood Assist
- Smooth movement—fluid rotation handle
- Premier platform—stainless steel grilling grates
- Steadfast durability—heavy-duty welded construction eliminates gaps where grease can collect
- Open options—available in Natural Gas and LP

MODEL	DESCRIPTION
L27R-3	27" Built-In Grill with Rotisserie
L27R	27" Built-In Grill - 1 Trident IR Burner with Rotisserie
LI27	Insulated Jacket for 27" Built-In Grill
CC27	27" Carbon Fiber Vinyl Cover (Built-In)

NOTE: Must specify gas type—NG for Natural Gas or LP for Propane

BUILT-IN INSULATED JACKET / OUTDOOR VENT HOODS



MODELS

LIJ27 / LIJ30 / LIJ36 / LIJ42 / LIJ54

INSULATED JACKET

- Secure assurance—required for grills installed in islands with combustible materials
- Steadfast durability—heavy-duty welded construction

MODELS

LOH36 / LOH48 / LOH60

OUTDOOR VENT HOODS

- Tested safety—UL rated for outdoor use
- Extra assurance—includes a high heat sensor
- Flawless finish—seamless welded construction with Lynx signature polished highlights
- Versatile use—including a 10-inch square to round transition with damper
- Clear illumination—two sets of 50-watt halogen lights
- Flexible configuration—removable commercial-style stainless steel baffle system
- Optional external blower—1,500 CFM (Model LOHE, sold separately)
- Optional internal blower—1,200 CFM (Model LOHI, sold separately)

BUILT-IN COVERS



MODELS

CC27 / CC30 / CC36 / CC42 / CC54

CARBON FIBER VINYL GRILL COVERS (BUILT-IN)

- Perfect protection—a custom tailored fit
- Lasting resilience—tough textured vinyl
- Secure durability—pocket seams for fastening quality and a flexible cord for a close fit
- Quick placement—nylon finger loops help pull and secure the cover in place
- Tasteful elegance—deep embossed Lynx logo
- Delicate touch—felt lining protects stainless steel finishes
- Intelligent design—rear vent helps to expel moisture

MODEL DESCRIPTION

LOH36	36" Outdoor Vent Hood (Blower sold separately)
LOH48	48" Outdoor Vent Hood (Blower sold separately)
LOH60	60" Outdoor Vent Hood (Blower sold separately)
LOHE	External Blower Motor rated at 1,400 CFM
LOHI	Internal Blower Motor rated at 1,200 CFM
LOH1236	12" duct cover for 36" hood
LOH1836	18" duct cover for 36" hood
LOH1248	12" duct cover for 48" hood
LOH1848	18" duct cover for 48" hood
LOH1260	12" duct cover for 60" hood
LOH1860	18" duct cover for 60" hood
LIJ27	Insulated Jacket for 27" Grill
LIJ30	Insulated Jacket for 30" Grill and Asado Grill
LIJ36	Insulated Jacket for 36" Grill
LIJ42	Insulated Jacket for 42" Grill
LIJ54	Insulated Jacket for 54" Grill

MODEL DESCRIPTION

CC27	27" Carbon Fiber Vinyl Cover (Built-in)
CC30	30" Carbon Fiber Vinyl Cover (Built-in)
CC36	36" Carbon Fiber Vinyl Cover (Built-in)
CC42	42" Carbon Fiber Vinyl Cover (Built-in)
CC54	54" Carbon Fiber Vinyl Cover (Built-in)

LYNX 54" PROFESSIONAL FREESTANDING GRILL



PRODUCT OVERVIEW

- Precise power—one Trident™ Infrared Burner and three Cast Ceramic Burners combining to provide up to 95,000 BTU
- Generous capacity—1,555 square inches of cooking surface (1,110 primary, 445 secondary)
- Slow-cooking excellence—with a dual-position rotisserie internally powered by a heavy-duty three-speed motor, and a rear infrared burner delivering up to 14,000 BTU
- Indulgent extra—premium smoker box included
- Beautiful illumination—luminous blue-fit control knobs
- Steady performance—heat-stabilizing design
- Reliable speed—Hot Surface Ignition system lights burners quickly and safely
- Perfect clarity—dual halogen grill surface lights
- Quick visibility—temperature gauge
- Easy opening—Lynx Hood Assist
- Smooth movement—fluid rotation handle
- Premier platform—stainless steel grilling grates
- Steadfast durability—heavy-duty welded construction eliminates gaps where grease can collect
- Open options—available in Natural Gas and LP

MODEL DESCRIPTION

L54TRF	54" Freestanding Grill - 1 Trident IR Burner with Rotisserie
LCB2-3	Cart Mounted Double Side Burner
LSTLP	Sliding Tank Tray, cart units 30", 42" and 54" only
CC54F	54" All Grill Carbon Fiber Vinyl Cover (Freestanding)
CC54FCB	54" All Grill Carbon Fiber Vinyl Cover (Freestanding with Side Burner)

NOTE: Must specify gas type—NG for Natural Gas or LP for Propane

LYNX PROFESSIONAL FREESTANDING GRILLS

A freestanding Lynx Professional grill gives you a luxury grilling experience that moves you—and moves with you.

LYNX 42" PROFESSIONAL FREESTANDING GRILL



PRODUCT OVERVIEW

- Diverse choices—available in two different burner configurations
- Generous capacity—1,200 square inches of cooking surface (855 primary, 345 secondary)
- Slow-cooking excellence—with a dual-position rotisserie internally powered by a heavy-duty three-speed motor, and a rear infrared burner delivering up to 16,000 BTU
- Indulgent extra—premium smoker box included
- Beautiful illumination—luminous blue-lit control knobs
- Steady performance—heat-stabilizing design
- Reliable speed—Hot Surface Ignition system lights burners quickly and safely
- Perfect clarity—dual halogen grill surface lights
- Quick visibility—temperature gauge
- Easy opening—Lynx Hood Assist
- Smooth movement—fluid rotation handle
- Premier platform—stainless steel grilling grates
- Steadfast durability—heavy-duty welded construction eliminates gaps where grease can collect
- Open options—available in Natural Gas and LP

MODEL	DESCRIPTION
L42TRF	42" Freestanding Grill - 1 Trident IR Burner with Rotisserie
L42ATRF	42" Freestanding Grill - All Trident IR Burner with Rotisserie
LCB2-3	Cart Mounted Double Side Burner
LSTLP	Sliding Tank Tray, cart units 30", 42", and 54" only
CC42F	42" Carbon Fiber Vinyl Cover (Freestanding)
CC42FCB	42" Carbon Fiber Vinyl Cover (Freestanding with Side Burner)

NOTE: Must specify gas type—NG for Natural Gas or LP for Propane

LYNX 36" PROFESSIONAL FREESTANDING GRILL



PRODUCT OVERVIEW

- Diverse choices—available in three different models
- Ample capacity—935 square inches of cooking surface (640 primary, 295 secondary)
- Slow-cooking excellence—with a dual-position rotisserie internally powered by a heavy-duty three-speed motor, and a rear infrared burner delivering up to 14,000 BTU
- Reliable speed—Hot Surface Ignition system lights burners quickly and safely
- *Note: Grill with Flametrak™ uses a high speed Spark Ignition rather than Hot Surface Ignition*
- Unprecedented safety—FLAMETRAK™ safety system shuts off the gas if the flame goes out (available only on the LFS6ATRF Model).
- Indulgent extra—premium smoker box included
- Beautiful illumination—luminous blue-lit control knobs
- Steady performance—heat-stabilizing design
- Perfect clarity—dual halogen grill surface lights
- Quick visibility—temperature gauge
- Easy opening—Lynx Hood Assist
- Smooth movement—fluid rotation handle
- Premier platform—stainless steel grilling grates
- Steadfast durability—heavy-duty welded construction eliminates gaps where grease can collect
- Open options—available in Natural Gas and LP

MODEL	DESCRIPTION
L36TRF	36" Freestanding Grill - 1 Trident IR Burner with Rotisserie
L36ATRF	36" Freestanding Grill - All Trident IR Burner with Rotisserie
LFS6ATRF	36" Freestanding All-Trident Grill with Rotisserie and Flametrak
LCB2-3	Cart Mounted Double Side Burner
CC36F	36" Carbon Fiber Vinyl Cover (Freestanding)
CC36FCB	36" Carbon Fiber Vinyl Cover (Freestanding with Side Burner)

NOTE: Must specify gas type—NG for Natural Gas or LP for Propane



AVAILABLE ON THE LFS6ATRF MODEL

LYNX 30" PROFESSIONAL FREESTANDING GRILL



PRODUCT OVERVIEW

- Diverse choices—available in two different burner configurations
- Ample capacity—840 square inches of cooking surface (600 primary, 240 secondary)
- Slow-cooking excellence—with a dual-position rotisserie internally powered by a heavy-duty three-speed motor, and a rear infrared burner delivering up to 14,000 BTU
- Indulgent extra—premium smoker box included
- Beautiful illumination—luminous blue-lit control knobs
- Steady performance—heat-stabilizing design
- Reliable speed—Hot Surface Ignition system lights burners quickly and safely
- Perfect clarity—halogen grill surface light
- Quick visibility—temperature gauge
- Easy opening—Lynx Hood Assist
- Smooth movement—fluid rotation handle
- Premier platform—stainless steel grilling grates
- Steadfast durability—heavy-duty welded construction eliminates gaps where grease can collect
- Open options—available in Natural Gas and LP

MODEL	DESCRIPTION
L30TRF	30" Freestanding Grill - 1 Trident IR Burner with Rotisserie
L30ARF	30" Freestanding Grill - All Trident IR Burner with Rotisserie
LCB2-3	Cart Mounted Double Side Burner
LSTLP	Sliding Tank Tray, cart units 30", 42" and 54" only
CC30F	30" Grill or Smoker Carbon Fiber Vinyl Cover (Freestanding)
CC30FCB	30" Carbon Fiber Vinyl Cover (Freestanding with Side Burner)

NOTE: Must specify gas type—NG for Natural Gas or LP for Propane

LYNX 27" PROFESSIONAL FREESTANDING GRILL



PRODUCT OVERVIEW

- Precise power—one Trident infrared burner and one cast ceramic burner combining to provide up to 48,000 BTU
- Ample capacity—685 square inches of cooking surface (470 primary, 215 secondary)
- Slow-cooking excellence—with a dual-position rotisserie internally powered by a heavy-duty three-speed motor, and a rear infrared burner delivering up to 14,000 BTU
- Indulgent extra—premium smoker box included
- Beautiful illumination—backlit blue-lit control knobs
- Steady performance—heat-stabilizing design
- Reliable speed—Hot Surface Ignition system lights burners quickly and safely
- Perfect clarity—halogen grill surface light
- Quick visibility—temperature gauge
- Easy opening—Lynx Hood Assist
- Smooth movement—fluid rotation handle
- Premier platform—stainless steel grilling grates
- Steadfast durability—heavy-duty welded construction eliminates gaps where grease can collect
- Open options—available in Natural Gas and LP

MODEL	DESCRIPTION
L27TRF	27" Freestanding Grill - 1 Trident IR Burner with Rotisserie
LCB2-3	Cart Mounted Double Side Burner
CC27F	27" Carbon Fiber Vinyl Cover (Freestanding)
CC27FCB	27" Carbon Fiber Vinyl Cover (Freestanding with Side Burner)

NOTE: Must specify gas type—NG for Natural Gas or LP for Propane



30" GRILL ON MOBILE KITCHEN CART



SERVE AND PREP COUNTERTOP ON MOBILE KITCHEN CART



MODEL LC82-3

CART MOUNTED DOUBLE SIDE BURNER

- Versatile intensity—two brass burners that you can turn from low simmer up to intense heat at 15,000 BTU
- Reliable speed—Hot Surface Ignition system lights burners quickly and safely
- Clean finish—burners and burner basin are sealed and easy to clean
- Striking illumination—luminous blue-flt control knobs
- Steadfast durability—heavy-duty welded construction eliminates gaps where grease can collect



MODEL LSTLP

SLIDING TANK TRAY

- Comfortable access—the sliding Liquid Propane tank tray provides safe and easy access
- Optional applications—available for freestanding 30", 42", 54" carts



FREESTANDING GRILL COVER

FREESTANDING GRILL COVER

- Perfect protection—a custom tailored fit
- Lasting resilience—tough textured vinyl
- Secure durability—pocket seams for lasting quality and a flexible cord for a close fit
- Quick placement—nylon finger loops help pull and secure the cover in place
- Tasteful elegance—deep embossed Lynx logo
- Delicate touch—felt lining protects stainless steel finishes
- Intelligent design—rear vent helps to expel moisture

MODEL	DESCRIPTION
LSERVE	Serve & Prep Countertop
LSERVE-M	Serve & Prep Countertop on Mobile Kitchen Cart
L30GR-M	30" Grill with Roisserie on Mobile Kitchen Cart
L30TR-M	30" Grill - T Trident IR with Roisserie on Mobile Kitchen Cart
L30ATR-M	30" Grill - All Trident IR with Roisserie on Mobile Kitchen Cart
CC30M	30" Grill Vinyl Cover (Mobile Kitchen Cart)
LWKS4	54" Mobile Kitchen Cart

MODEL	DESCRIPTION
CC27F	27" Carbon Fiber Vinyl Cover (Freestanding)
CC27FCB	27" Carbon Fiber Vinyl Cover (Freestanding with Side Burner)
CC30F	30" Grill or Smoker Carbon Fiber Vinyl Cover (Freestanding)
CC30FCB	30" Carbon Fiber Vinyl Cover (Freestanding with Side Burner)
CC30M	30" Grill Vinyl Cover (Mobile Kitchen Cart)
CC36F	36" Carbon Fiber Vinyl Cover (Freestanding)
CC36FCB	36" Carbon Fiber Vinyl Cover (Freestanding with Side Burner)
CC42F	42" Carbon Fiber Vinyl Cover (Freestanding)
CC42FCB	42" Carbon Fiber Vinyl Cover (Freestanding with Side Burner)
CC54F	54" Carbon Fiber Vinyl Cover (Freestanding)
CC54FCB	54" Carbon Fiber Vinyl Cover (Freestanding with Side Burner)

NOTE: For planning and installation details, including dimensions, specification sheets, and CAD drawings, please visit the Support/Product Documents section of the Lynx website: lynxgrills.com

LYNX PROFESSIONAL SMART SERIES



AUTOMATED COOKING

MyChef™ operating system monitors cooking times and temperatures

Learning algorithm allows Lynx Smart Series products to dial in your preferred doneness

CONNECT WITH THE LYNX SMART COMMUNITY

Upload your own recipes to the Smart Recipes database

Save your favorites to your profile

SMARTPHONE CONTROL

Monitor your food from anywhere through Lynx Smart Series apps

Receive a notification when your attention is required

Connects to your home's WiFi network

UNPARALLELED SAFETY FEATURES

Temperature sensors measure cooking temperatures so you have complete control over the action

Receive alerts when your grill or smoker are being used

Lynx Smart Series products automatically shut down if left inactive longer than 30 minutes



LYNX PROFESSIONAL SMART SERIES

A modern home interacts with you. Its temperature, lighting, security, and more are connected to your mobile device. Its music and mood can shift as you move room to room.

So, what if your mobile device could check on your grill from across the party—or choose a recipe with preset cooking times and settings? It can.

It's beautiful and it's brilliant—the Lynx Smart Series.



With the SmartGrill by Lynx briquette trays are gone! The All Trident grills are true high-performance machines with the best heat profile of any Lynx grill—and the SmartGrill app lets you make the most of them.

All Trident infrared burners provide the fastest-ever preheat, along with extremely responsive temperature control for searing precision impossible with other grills. Both three-burner all-Trident grills (42" and 36") offer three distinct temperature zones, the 30" SmartGrill offers two zones.

**SMARTGRILL BY LYNX
INCLUDES ALL OF THESE FEATURES**

- Three variable temperature Trident infrared burners (two burners on 30" model)
- Backlit blue LED control knobs and dual halogen grill surface lights
- Lynx Hood Assist: absorbs 95% of the front hood weight
- Stainless steel grilling grates with limited lifetime warranty
- Dual-position internally powered rotisserie with heavy-duty, 3-speed motor and rear infrared burner with 16,000 BTU
- Freestanding models feature cart with folding side shelves
- Carbon fiber vinyl cover included with all models
- Voice activated, smart device controlled or manual
- iOS and Android operating systems supported
- Temperature sensors measure heat output at cooking surface
- Electromechanical valves automatically maintain preset surface temperature
- Cart mounted double side burner available Model LCE2-3
- Electronics nest in a weatherproof case under the grill
- Powered by a 1.5GHz Intel® Processor, 64GB of storage, and 802.11g WiFi
- Includes all the features of our standard 42", 36", and 30" grills

NOTE: Must specify gas type—NG for Natural Gas or LP for Propane
NOTE: For planning and installation details, including dimensions, specification sheets, and CAD drawings, please visit the Support/Product Documents section of the Lynx website: lynxgrills.com

42" SMARTGRILL
1200 sq. in. cooking surface (855 Primary/345 Secondary)



42" FREESTANDING SMARTGRILL
1200 sq. in. cooking surface (855 Primary/345 Secondary)



36" SMARTGRILL
935 sq. in. cooking surface (640 Primary/295 Secondary)



36" FREESTANDING SMARTGRILL
935 sq. in. cooking surface (640 Primary/295 Secondary)



30" SMARTGRILL
840 sq. in. cooking surface (600 Primary/240 Secondary)



30" FREESTANDING SMARTGRILL
840 sq. in. cooking surface (600 Primary/240 Secondary)



MODEL	DESCRIPTION
SMART42	42" Built-in SmartGrill
SMART42F	42" Freestanding Cart SmartGrill
SMART36	36" Built-in SmartGrill
SMART36F	36" Freestanding Cart SmartGrill
SMART30	30" Built-in SmartGrill
SMART30F	30" Freestanding Cart SmartGrill

Lower temperatures over a longer cooking time enable a smoker to create moist, tender results with a delicious smoky accent. Lynx Smart Sonoma Smokers make it easier than ever to achieve these distinctive results. They can smoke for up to six hours on one load of fuel. And their Lynx Smart technology maintains the optimum temperature throughout the cooking process—while also keeping you informed on the progress of your culinary efforts via your WiFi-enabled app.

SONOMA SMOKER BY LYNX INCLUDES ALL OF THESE FEATURES

- 1000 sq. in. cooking surface
- Dual racks for food placement
- Temperature range 160°–350° F
- Smoke up to 6 hours without reloading woodchip fuel
- WiFi and app enabled allows you to check status of your food
- LCD control panel with real time information

NOTE: Must specify gas type—NG for Natural Gas or LP for Propane
NOTE: For planning and installation details, including dimensions, specification sheets, and CAD drawings please visit the Support/Product Documents section of the Lynx website: lynxgrills.com

MODEL	DESCRIPTION
SMLEPK	Smoker Gas Conversion Kit, NG to LP
SMWNGK	Smoker Gas Conversion Kit, LP to NG

CHECK OUT OUR WOOD CHIPS



30" BUILT-IN OR COUNTERTOP



30" FREESTANDING SMOKER



30" SMOKER ON MOBILE KITCHEN CART



MODEL	DESCRIPTION
LSMK	30" Built-In or Countertop
LSMKF	30" Freestanding Smoker
LSMKM	30" Smoker on Mobile Cart Kitchen
CC30F	30" Grill or Smoker Carbon Fiber Vinyl Cover (Freestanding)
CCSMK	30" Smoker Carbon Fiber Vinyl Cover (Countertop)
CCSMKB	30" Smoker Carbon Fiber Vinyl Cover (Built-In)
CCSMKM	30" Smoker Carbon Fiber Vinyl Cover (Mobile Kitchen Cart)



LYNX SPECIALTY COOKING

A kitchen is more than a cook-top or a grill. It's the point around which entertaining revolves. All of our Lynx Specialty Cooking products are designed with every feature thought through, fully engineered, and crafted to give both you and your guests an elevated dining experience.

LYNXGRILLS.COM

LYNX NAPOLI OUTDOOR OVEN™ — COUNTERTOP OR BUILT-IN



NAPOLI OUTDOOR OVEN™

Gourmands around the world recognize the full flavors and evenly baked finish that can only be summoned from a stone oven.

The Napoli Outdoor Oven™ is a passport to another realm of outdoor cuisine. It can elicit the aromas of a rustic apple cake, rosemary braised lamb shanks, or a basil pesto flatbread. Finish your grilled salmon's garlic sesame sauce into a shimmering glaze.

The oven can be built into your kitchen or placed on a countertop or freestanding cart. The Napoli Outdoor Oven™ is capable of baking at 700°F, and hides an authentic refractory mortar dome beneath its elegant exterior. Impressive in beauty and function, the Napoli will broaden your bill of fare.



PRODUCT OVERVIEW

- Flexible capacity—400 square inches of cooking surface
- Powerful performance—preheats to 700°F (200°F hotter than most indoor ovens) for authentic stone oven baking
- Responsive adjustment—variable infrared heat
- Flexible configuration—reversible top chimney vents toward the front or back
- Stunning details—hand-polished mirrored edges
- Beautiful illumination—luminous blue-lit control knobs
- Powerful intensity—with a 40,000 BTU capacity
- Uncompromised construction—specially formulated concrete refractory interior dome and cooking surface
- Careful convenience—cooking surface pulls forward for easy access to food
- Secure enclosure—removable front door
- Perfect clarity—includes interior lighting
- Convenient extra—Includes 12¼" x 20" Pizza Peel
- 30" W x 29" H x 28.5" D

MODEL DESCRIPTION

MODEL	DESCRIPTION
LPTA	Napoli Outdoor Oven, Countertop or Built-In
CCPZA	30" Napoli Outdoor Oven Carbon Fiber Vinyl Cover (Countertop)
CCPZAB	30" Napoli Outdoor Oven Carbon Fiber Vinyl Cover (Built-In)
LPZANGK	Napoli Oven LP to NG Conversion Kit
LPZALPK	Napoli Oven NG to LP Conversion Kit

LYNX NAPOLI OUTDOOR OVEN™ — FREESTANDING



PRODUCT OVERVIEW

- Flexible capacity—400 square inches of cooking surface
- Powerful performance—preheats to 700°F (200°F hotter than most indoor ovens) for authentic stone oven baking
- Responsive adjustment—variable infrared heat
- Flexible configuration—reversible top chimney vents toward the front or back
- Stunning details—hand-polished mirrored edges
- Beautiful illumination—luminous blue-lit control knobs
- Powerful intensity—with a 40,000 BTU capacity
- Uncompromised construction—specially formulated concrete refractory interior dome and cooking surface
- Careful convenience—cooking surface pulls forward for easy access to food
- Secure enclosure—removable front door
- Perfect clarity—includes interior lighting
- Adaptable placement—freestanding application

MODEL	DESCRIPTION
LP2AF	Napoli Outdoor Oven, Freestanding
LMKCS4	54" Mobile Kitchen Cart
CCP2AF	30" Napoli Outdoor Oven Carbon Fiber Vinyl Cover (Freestanding)
LP2ANGK	Napoli Oven LP to NG Conversion Kit
LP2ALPK	Napoli Oven NG to LP Conversion Kit

For great recipes, visit www.lynxgrills.com/recipes



ASADO COOKTOP — BUILT-IN



PRODUCT OVERVIEW

- Precise power—Two Trident™ Infrared Burners combining to provide up to 46,000 BTU
- Flexible capacity—49.5-square-inch dual-zone cooking surface
- Perfect surface—multi-layer grilling surface of aluminum sandwiched between two sheets of stainless steel
- Beautiful illumination—Luminous blue-lit control knobs
- Reliable speed—Hot Surface Ignition system lights burners quickly and safely
- Quick clean-up—removable dual grease trays and removable grilling surface for easy cleaning
- Elegant protection—includes attractive stainless steel cover
- Steadfast durability—heavy-duty welded construction eliminates gaps where grease can collect

MODEL DESCRIPTION

MODEL	DESCRIPTION
L30AG	30" Asado Built-In Grill
LI30	Insulated Jacket for 30" Asado Built-In
CCASADO	30" Asado Carbon Fiber Vinyl Cover (built-in)

NOTE: Must specify gas type—NG for Natural Gas or LP for Propane

ASADO COOKTOP

A grilled meal has no companion as decadent as one prepared on a flat-top grill—Yangzhou Fan fried rice, a fried pepper and onion topping, or just a mango salsa.

Awaken to the ease of orange crepes in the morning, greeting the day with a refreshing start in the cool outdoor air. The Lynx Asado Cooktop lets you expand your outdoor menu into Asian and fusion dishes that could only be made indoors before.

With a quick start and simple clean-up, it's tempting to call upon the Asado to add a highlight to every outdoor meal.



PRODUCT OVERVIEW

- Precise power—Two Trident™ Infrared Burners combining to provide up to 46,000 BTU
- Flexible capacity—495-square-inch dual-zone cooking surface
- Perfect surface—multi-layer grilling surface of aluminum sandwiched between two sheets of stainless steel
- Beautiful illumination—luminous blue-fit control knobs
- Reliable speed—Hot Surface Ignition system lights burners quickly and safely
- Quick clean-up—removable dual grease trays and removable grilling surface for easy cleaning
- Elegant protection—includes attractive stainless steel cover
- Steadfast durability—heavy-duty welded construction eliminates gaps where grease can collect
- Convenient room—flat counter space to prep and serve, and a storage cabinet with two doors
- Ready to roll—built upon heavy-duty casters with brakes for easy mobility

MODEL	DESCRIPTION
L30AGF	30" Asado Freestanding Grill
CCASDDF	30" Asado Carbon Fiber Vinyl Cover (freestanding)

NOTE: Must specify gas type—NG for Natural Gas or LP for Propane



PRODUCT OVERVIEW

- Precise power—Two Trident™ Infrared Burners combining to provide up to 46,000 BTU
- Flexible capacity—495-square-inch dual-zone cooking surface
- Perfect surface—multi-layer grilling surface of aluminum sandwiched between two sheets of stainless steel
- Beautiful illumination—luminous blue-fit control knobs
- Reliable speed—Hot Surface Ignition system lights burners quickly and safely
- Quick clean-up—removable dual grease trays and removable grilling surface for easy cleaning
- Elegant protection—includes attractive stainless steel cover
- Steadfast durability—heavy-duty welded construction eliminates gaps where grease can collect
- Convenient room—flat counter space to prep and serve, and a storage cabinet with two doors and two drawers
- Ready to roll—built upon heavy-duty casters with brakes for easy mobility

MODEL	DESCRIPTION
L30AG-M	30" Asado Grill on Mobile Kitchen Cart
LWKS54	54" Mobile Kitchen Cart
CCAGSERVE	Asado Grill or Serve Counter Carbon Vinyl Cover (Mobile Kitchen Cart)

NOTE: Must specify gas type—NG for Natural Gas or LP for Propane

PROFESSIONAL BURNERS



MODEL LSB1-3

SINGLE SIDE BURNER

- Versatile intensity—one brass burner that you can turn from low simmer up to intense heat at 15,000 BTU
- Reliable speed—Hot Surface Ignition system lights burners quickly and safely
- Beautiful coverage—stainless steel cover to protect the burner when not in use
- Clean finish—burners and burner basin are sealed and easy to clean
- Striking illumination—luminous blue-lit control knobs
- Steadfast durability—heavy-duty welded construction eliminates gaps where grease can collect



MODEL LSB2-2

DOUBLE SIDE BURNERS

- Versatile intensity—two brass burners that you can turn from low simmer up to intense heat at 15,000 BTU
- Reliable speed—Hot Surface Ignition system lights burners quickly and safely
- Beautiful coverage—stainless steel cover to protect the burner when not in use
- Clean finish—burners and burner basin are sealed and easy to clean
- Striking illumination—luminous blue-lit control knobs
- Steadfast durability—heavy-duty welded construction eliminates gaps where grease can collect

MODEL DESCRIPTION

LSB1-3	Built-In Single Side Burner
LSB2-2	Built-In Double Side Burner
CCLSB1	Single Side Burner Carbon Fiber Vinyl Cover (Built-In)
CCLSB	Double Side Burner Carbon Fiber Vinyl Cover (Built-In)

NOTE: Must specify gas type—NG for Natural Gas or LP for Propane; may require Lynx Accessory Switch Kit (LASK)

PROFESSIONAL BURNERS

Sometimes, the difference is in the details.

And details are the specialty of Lynx Side Burners, with small sizes and flexible placements to perfectly capture your side dishes and toppings. Grill summer squash with oil and rosemary, melt a lemon butter sauce for your mahi-mahi, or warm a peanut curry sauce for your chicken. Even spectacular entrées can use an extra touch.

PROFESSIONAL BURNERS



MODEL LSB2PC-1

DOUBLE SIDE BURNERS W/ INTEGRAL PREP CENTER

- Versatile intensity—two brass burners that you can turn from low simmer up to intense heat at 15,000 BTU
- Ready room—the integral cutting board provides a convenient prep area
- Reliable speed—Hot Surface Ignition system lights burners quickly and safely
- Beautiful coverage—two removable stainless steel covers included, for the prep area and side burners
- Clean finish—burners and burner basin are sealed and easy to clean
- Spacious storage—the extended depth accommodates oversized grilling tools, towels, or wood chips
- Striking illumination—luminous blue-lit control knobs
- Steadfast durability—heavy-duty welded construction eliminates gaps where grease can collect



MODEL LPB

POWER BURNER

- Versatile intensity—letting you select from 3,000 up to 47,000 BTU
- Assured reliability—dual-ring red brass burner
- Copious space—the large grate surface accommodates an oversized stockpot
- Reliable speed—Hot Surface Ignition system lights burners quickly and safely
- Comprehensive coverage—fully extendable drip pan
- Innovative options—removable center grate lets you use a commercial-style wok
- Striking illumination—luminous blue-lit control knobs
- Beautiful coverage—removable stainless steel cover included

MODEL DESCRIPTION

LSB2PC-1	Double Side Burner with Integrated Prep Center
LPB	Power Burner
CCLSB2PC	Double Side Burner with Prep Center Carbon Fiber Vinyl Cover
CCLLPB	Power Burner Carbon Fiber Vinyl Cover

NOTE: Must specify gas type—NG for Natural Gas or LP for Propane; may require Lynx Accessory Switch Kit (LASK)



WARMING DRAWERS

MODEL L4ZCC-1

42" WARMING DRAWER AND CONVENIENCE CENTER

- Compact convenience—a warming drawer, Liquid Propane tank, storage cabinet, and utility drawer, all in one unit
- Spacious storage—the extended depth accommodates oversized grilling tools, towels, or wood chips
- Comprehensive options—warming drawer has two removable steam pans, lids, and steam racks
- Hidden heating—a concealed heating element lets you use the warming drawer as a towel or robe warmer
- Lasting elegance—weather-resistant stainless steel construction
- Comfortable access—the sliding Liquid Propane tank tray provides safe and easy access
- Adaptable range—temperature settings from 90° to 220°F, to keep breads warm or poultry piping hot
- Precision control—moist and crisp settings help maintain the perfect texture for your food
- Indicator light—reminds you when the drawer is on
- Stunning details—hand-polished mirrored highlights



MODEL L30WD-1

30" BUILT-IN WARMING DRAWER

- Adaptable range—temperature settings from 90° to 220°F, to keep breads warm or poultry piping hot
- Precision control—moist and crisp settings help maintain the perfect texture for your food
- Indicator light—reminds you when the drawer is on
- Fully featured—equipped with two removable steam pans, lids, and steam racks
- Hidden heating—a concealed heating element lets you use the warming drawer as a towel or robe warmer
- Lasting elegance—weather-resistant stainless steel construction



MODEL DESCRIPTION

L30WD-1 30" Warming Drawer

L4ZCC-1 42" Convenience Center with Warming Drawer, Utility Drawer and Tank Storage

NOTE: For planning and installation details, including dimensions, specification sheets, and CAD drawings, please visit the Support/Product Documents section of the Lynx website: lynxgrills.com



WARMING DRAWERS

The open air of outdoor cooking is a refreshing escape—and it's a fantastic place to entertain.

To keep all of the elements of your outdoor meal warm and ready, Lynx warming drawers offer a generous capacity of safe and steady warmth.

You might even find that they're perfect for warming some plush pool towels while you swim.

LYNX OUTDOOR KITCHENS

With an outdoor kitchen, you'll always be ready for entertaining. Keep your food and drinks chilled, your dining essentials neatly stored and stylishly out of view. When all the elements to complete your outdoor dining picture are in order, you'll find that it's a space you want to spend your time—time and again.

LYNXGRILLS.COM

LYNX PROFESSIONAL SERIES | 33



32 | LYNX PROFESSIONAL SERIES

REFRIGERATION



MODEL L24TWS
SINGLE TOWER HEAD

MODEL L24TWD
DOUBLE TOWER HEAD

- Tailored integration—both tap towers work with the Lynx 24" Beverage Dispenser (LM24BEL and LM24BFR)

MODEL LM24BFL / LM24BFR
Shown with Optional L24TWD

24" BEVERAGE DISPENSER

- Lasting beauty—high-quality stainless steel
- Convenient display—digital readout
- Versatile uses—two half shelves for storing drinks
- Innovative alerts—alarm indicates when the door is ajar, to protect food and save energy
- Individualized fit—can be ordered right or left hinge
- Flexible expansion—compatible with Single Tower Head (L24TWS) and Double Tower Head (L24TWD) to convert into beer dispenser
- Striking effect—blue interior lighting
- Customized range—temperature range of 34°–45°F
- Proven efficiency—Energy Star rated
- Simple security—the door locks for safety
- Helpful placements—secure CO2 tank storage area, drain bottle, and rear port for external CO2 tank option
- Keg compatibility—Designed for half kegs, pony kegs, and sixth barrels/cornelius kegs
- Tested safety—UL listed for outdoor use
- Proven efficiency—Energy Star rated
- Optional taps—sold separately



MODEL LM24DWR
24" REFRIGERATOR DRAWER

- Substantial room—5 cubic feet of space
- Responsive performance—dynamic cooling technology allows real-time temperature control
- Striking effect—blue interior lighting
- Innovative alerts—alarm indicates when the door is ajar, or if the temperature changes by more than 10° F in an hour, to protect food and save energy
- Complete access—full-extension glide-out drawer slides for access to the back of the drawer
- Simple security—the drawer locks for safety
- Customized range—temperature range of 34°–42°F
- Tested safety—UL listed for outdoor use
- Proven efficiency—Energy Star rated

MODEL	DESCRIPTION
L24TWS	Single Tap Tower Kit
L24TWD	Double Tap Tower Kit
LM24BEL/R	24" Beverage Dispenser
CCTWR	24" Beverage Dispenser / Single Tower Tap Head Carbon Fiber Vinyl Cover
LM24DWR	24" Two Drawer Refrigerator

REFRIGERATION

Relax. Even if it's not the time to grill, it's always time to pause and enjoy a chilled drink or crudité.

You will find that Lynx refrigerators play an indispensable role in your outdoor retreat. With intuitive features, perennial reliability, and excellence that you can feel in every movement, these pieces beckon you to come outside and relax.

REFRIGERATION

MODEL LM24REFGL / LM24REFGR

24" OUTDOOR REFRIGERATOR WITH GLASS DOOR

- Easy visibility - Glass Door Front
- Plentiful room—5.3 cubic feet of space
- Responsive performance—dynamic cooling technology allows real-time temperature control
- Striking effect—blue interior lighting
- Intuitive alerts—alarm indicates when the door is ajar, or if the temperature changes by more than 10°F in an hour, to protect food and save energy
- Ample access—a 24-inch wide refrigerator to keep everything chilled
- Flexible configuration—two fully adjustable stainless steel shelves
- Individualized fit - can be ordered right or left hinge
- Simple security—the door locks for safety
- Customized range—temperature range of 34° -42°F
- Tested safety—UL listed for outdoor use
- Proven efficiency—Energy Star rated



MODEL LM24REFL / LM24REFR

24" REFRIGERATOR

- Plentiful room—5.3 cubic feet of space
- Responsive performance—dynamic cooling technology allows real-time temperature control
- Striking effect—blue interior lighting
- Intuitive alerts—alarm indicates when the door is ajar, or if the temperature changes by more than 10°F in an hour, to protect food and save energy
- Ample access—a 24-inch wide refrigerator to keep everything chilled
- Flexible configuration—two fully adjustable stainless steel shelves
- Individualized fit - can be ordered right or left hinge
- Simple security—the door locks for safety
- Customized range—temperature range of 34° -42°F
- Tested safety—UL listed for outdoor use
- Proven efficiency—Energy Star rated



MODEL LM24REFCL / LM24REFCR

24" REFRIGERATOR & FREEZER COMBINATION

- Plentiful room—the refrigerator has 3.9 cubic feet of space
- Space to chill—the freezer has a self-closing door and 1 cubic foot of capacity (enough for 12 pints of ice cream)
- Individualized fit - can be ordered right or left hinge
- Striking effect—blue interior lighting
- Intuitive alerts—audible and visual alarms indicate when the door is ajar, to protect food and save energy
- Variable storage—adjustable shelves easily meet your needs
- Optional expansion—an optional ice maker kit can produce and store up to 13 pounds of crescent ice (LMCEKIT)
- Lasting beauty—high-quality stainless steel
- Proven reliability—tested to perform in temperatures up to 115°F
- Worry-free convenience—automatic defrost for frost-free freezer operation
- Certified durability—CSA certified for outdoor use with withstand elements like rain, high humidity and heat
- Proven efficiency—Energy Star rated



MODEL DESCRIPTION

LM24REFGL/LM24REFGR	24" Outdoor Refrigerator with Glass Door
LM24REFL/R	24" Outdoor Refrigerator
LM24REFCL / LM24REFCR	24" Outdoor Refrigerator & Freezer Combination
LMCEKIT	Ice Maker Kit for 24" Outdoor Refrigerator & Freezer Combination

REFRIGERATION

MODEL LM15REFL / LM15REFR

15" REFRIGERATOR

- Plentiful room—2.73 cubic feet of space
- Responsive performance—dynamic cooling technology allows real-time temperature control
- Striking effect—blue interior lighting
- Intuitive alerts—alarm indicates when the door is ajar, or if the temperature changes by more than 10°F in an hour, to protect food and save energy
- Flexible configuration—two fully adjustable stainless steel shelves
- Simple security—the door locks for safety
- Customized range—temperature range of 34° -42°F
- Individualized fit—can be ordered right or left hinge
- Tested safety—UL listed for outdoor use
- Proven efficiency—Energy Star rated



MODEL LM15WINEEL / LM15WINER

15" WINE CELLAR

- Plentiful room—2.7 cubic feet of space
- Capacity in cases—stores up to 24 bottles
- Striking effect—Black interior with blue interior lighting
- Patent protection—cushions wine against agitation while it matures
- Steady support—six sturdy wine racks are shaped to cradle each wine bottle
- Complete access—full-extension gliding shelves slide out for access
- Quiet cooling—the exclusive design buffers and minimizes sound
- Individualized fit—can be ordered right or left hinge



MODEL LM15ICER

15" OUTDOOR ICE MACHINE

- Generous capacity—produces up to 39 pounds of ice
- Innovative alerts—audible alerts and programmed cleaning reminders
- Crystal clarity—produces pure, clear ice with unrivaled clarity
- Striking effect—blue interior lighting
- Gentle closing—close door assist system
- Lasting beauty—high-quality stainless steel
- Individualized fit—aligned for a right hinge
- Certified durability—CSA certified for outdoor use with withstand elements like rain, high humidity and heat
- Proven efficiency—Energy Star rated
- Optional drain pump (LM15ICE-OP)



MODEL DESCRIPTION

LM15ICER	15" Outdoor Ice Machine
LM15ICE-OP	Optional Drain Pump for 15" Outdoor Ice Machine
LM15REFL/R	15" Outdoor Refrigerator
LM15WINEEL/R	15" 20 Bottle Wine Cellar

VENTANA STORAGE COLLECTION



MODELS LSA30-4 / LSA36-4 / LSA42-4

OUTDOOR KITCHEN STORAGE SYSTEM

- Generous depth—each drawer is 25.5 inches deep
- Perfect completion—soft-close drawer slides
- Tidy enclosure—rubber trim around the frame helps block dust and water
- Quick cleaning—easy-to-clean stainless steel surface
- Elegant simplicity—designed with understated style
- Essential storage—a 30-inch-wide door and double drawer combination
- Sticking effect—interior fighting for drawers and cabinet
- Perfect ending—soft-close door hinge
- Subtle convenience—flush-mounted reversible handle is there when you need it
- Perennial refinement—clean design eliminates places that dirt can collect
- Expandable options—door accessory kits available

MODELS LDR18L-4 / LDR18R-4 / LDR24L-4 / LDR24R-4 / LDR30T-4 / LDR36T-4 / LDR42T-4

SINGLE ACCESS DOORS / DOUBLE ACCESS DOORS

- 18", 24", 30", 36" & 42" sizes available
- Tidy enclosure—rubber trim around the frame helps block dust and water
- Subtle convenience—flush-mounted reversible handle is there when you need it
- Perennial refinement—clean design eliminates places that dirt can collect
- Expandable options—door accessory kits available
- Quick cleaning—easy-to-clean stainless steel surface
- Elegant simplicity—designed with understated style
- Perfect ending—soft-close hinge

MODELS LDRMS / LDRKL

DOOR ACCESSORY KIT

- Handy convenience—includes two bottle holders and a towel bar
- Versatile application—fits doors that are 18 or 30 inches (LDRMS) or 24, 36, or 42 inches (LDRKL)

VENTANA STORAGE COLLECTION

The Lynx Ventana Collection of elegant outdoor storage solutions is named after the Ventana Wilderness, 240,000 acres along the Big Sur coast in central California that is renowned as a destination for restoration of the spirit and soul. This coast has been described as "the greatest meeting of mountains and sea".

Combining beauty with functionality, smooth front facings, recessed handles, and handcrafted framing merge to form a sleek and contemporary balance to your Lynx outdoor kitchen. Dust and water resistant, each door and drawer softly closes itself as if to punctuate the elegance of an artistic statement. The Ventana Collection from Lynx proves that small things can make a big difference.



MODEL LPA36-4
36" SEALED PANTRY

- Complete access—full-extension glide-out drawer slides for access to the back of the drawer
 - Striking effect—blue interior lighting for drawers
 - Quick cleaning—easy-to-clean stainless steel surface
 - Elegant simplicity—designed with understated style
 - Clean storage—the magnetic gasket ensures a tight seal against outdoor elements
 - Flexible use—adjustable wire shelf
 - Spacious room—storage is 31 by 18 by 23 inches
 - Perennial refinement—clean design eliminates places that dirt can collect
- * may require Lynx Accessory Switch Kit for power supply (LASK)



MODEL LDW19-4

UTILITY DRAWERS - EXTRA LARGE DOUBLE DRAWER

- Extensive storage—the extended depth of 27 inches accommodates oversized grilling tools, towels, or wood chips
- Stable strength—rigid welded construction ensures strength and longevity
- Tidy enclosure—rubber trim around the frame helps block dust and water
- Quick cleaning—easy-to-clean stainless steel surface
- Elegant simplicity—designed with understated style
- Ample width—each drawer exterior is 19 inches wide
- Smooth reliability—fully extendable drawers on commercial stainless steel rollers
- Perfect completion—soft-close drawer slides
- Subtle convenience—flush-mounted reversible handle is there when you need it
- Perennial refinement—clean design eliminates places that dirt can collect



MODEL LZ0TR-4

OUTDOOR TRASH & RECYCLE CENTER

- Quick clean-up—includes two removable receptacles for recycling and trash
- Subtle convenience—flush-mounted reversible handle is there when you need it
- Elegant simplicity—designed with understated style
- Tidy enclosure—rubber trim around the frame helps block dust and water
- Perennial refinement—clean design eliminates places that dirt can collect



MODEL LTA30-4

30" TRASH CENTER & DOUBLE DRAWERS

- Quick clean-up—includes a removable receptacle for recycling or trash
- Convenient storage—with two stacked drawers
- Subtle convenience—flush-mounted reversible handle is there when you need it
- Perennial refinement—clean design eliminates places that dirt can collect
- Efficient space—combination trash center and storage system
- Easy fit—accommodates an LP gas tank
- Tidy enclosure—rubber trim around the frame helps block dust and water
- Quick cleaning—easy-to-clean stainless steel surface
- Elegant simplicity—designed with understated style, illuminated drawers & door space

MODEL LMD-4

MODULAR STORAGE DRAWER

- Lasting beauty—high-quality stainless steel
- Complete access—full-extension glide-out drawer slides for access to the back of the drawer
- Variable configuration—drawers can be installed individually, or as two or three drawers stacked
- Consistent lines—the 3-drawer configuration matches the height of Lynx LDR Access Doors
- Optional expansion—a modular drawer kit (Model LMD-MT) lets you stack drawers two or three high



MODEL LDW16-4

UTILITY DRAWERS - DOUBLE DRAWER

- Lasting beauty—high-quality stainless steel
- Complete access—full-extension glide-out drawer slides for access to the back of the drawer
- Variable configuration—drawers can be installed individually, or as two or three drawers stacked
- Tidy enclosure—rubber trim around the frame helps block dust and water
- Perfect completion—soft close drawer slides

VENTANA STORAGE COLLECTION



MODEL LTYL

TOWEL DISPENSER

- Solid feel—heavy-duty welded construction
- Tidy enclosure—rubber trim around the frame helps block dust and water
- Subtle convenience—flush-mounted reversible handle is there when you need it
- Artful placement—provides an appealing concealed storage for paper towels
- Customized access—the door swings down
- Perfect ending—soft-close hinge/flush mounted reversible handle

MODEL LTB

14" TOWEL BAR

- Versatile placement—towel bar can be mounted on the outdoor kitchen
- Flawless finish—solid stainless steel hardware
- Solid feel—heavy-duty welded construction

MODEL L18TS

COUNTERTOP TRASH CHUTE

- Quick access—offers convenient countertop trash disposal
- Intuitive convenience—commercial-style slide-away chopping board
- Versatile integrator—works with any Lynx trash center
- Beautiful coverage—stainless steel cover with a polished highlight included

MODEL	DESCRIPTION
LPA36-4	Sealed Pantry
LMD-4	Modular Drawer (Single drawer)
LMD-MT	Modular Drawer Kit (allows you to stack modular LMD 2 or 3 high)
LDM16-4	Double Drawers
LDM18-4	Extra Large Double Drawers
LSA30-4	30" Access Door Drawer Combination
LSA36-4	36" Access Door Drawer Combination
LSA42-4	42" Access Door Drawer Combination
LDR18L-4	18" Single Access Door (Hinge Left)
LDR18R-4	18" Single Access Door (Hinge Right)
LDR24L-4	24" Single Access Door (Hinge Left)
LDR24R-4	24" Single Access Door (Hinge Right)
LDR30F-4	30" Double Access Doors
LDR36F-4	36" Double Access Doors
LDR42F-4	42" Double Access Doors
LDRMS	Door Accessory Pack Includes: 2 bottle holders & 1 Towel Bar & Mounting Kit for 18" & 30" doors
LDRKL	Door Accessory Pack Includes: 2 bottle holders & 1 Towel Bar & Mounting Kit for 24", 36" & 42" doors
LZDR-4	Lynx 20" Trash & Recycle Bins - Slide-out, Framed
LTA30-4	30" Trash Center & Double Drawer Combo
LTYL	Paper Towel Dispenser
LTB	Towel Bar
L18TS	Countertop Trash Chute with Cutting Board
CCTS	Trash Chute Carbon Fiber Vinyl Cover

NOTE: For planning and installation details, including dimensions, specification sheets, and CAD drawings, please visit the Support/Product Documents section of the Lynx website: lynxgrills.com



CLASSIC STORAGE COLLECTION

MODEL LS430 / LS436 / LS442

OUTDOOR KITCHEN STORAGE SYSTEM

- Essential storage—30" 36" or 42" wide door and double drawer combination
- Reassuring security—the door has a key lock
- Complete access—full-extension glide-out drawer slides for access to the back of the drawer
- Elegant touch—polished door handles
- Stable strength—rigid welded construction ensures strength and longevity
- Striking effect—interior lighting for drawers and cabinet
- Flawless finishing—fully lined drawer
- Quick clean-up—the in-door condiment shelf is removable for easy cleaning
- Confident closure—heavy-duty latches for easy closing



MODEL LDW16 / LDW19

DOUBLE DRAWERS

- Ample width—each drawer exterior is 16 inches wide
- Smooth reliability—fully extendable drawers on commercial stainless steel rollers
- Elegant touch—polished door handles
- Extensive storage—the extended depth of 21 inches accommodates oversized grilling tools, towels, or wood chips
- Stable strength—rigid welded construction ensures strength and longevity



MODEL LDR18L / LDR18R / LDR24L / LDR24R / LDR30T / LDR36T / LDR42T

SINGLE ACCESS DOORS /

DOUBLE ACCESS DOORS

- Perfect fit—18", 24", 30", 36", and 42" sizes available
- Elegant touch—polished door handles
- Stable strength—rigid welded construction ensures strength and longevity
- Quick clean-up—the in-door condiment shelf is removable for easy cleaning
- Confident closure—heavy-duty latches for easy closing



CLASSIC STORAGE COLLECTION

To create the ultimate cuisine, and a have where you feel at home, you should have all that you need close at hand.

With Lynx Classic Storage, you can complete your space.

With beautiful finishes, generous storage, easy cleanup, and thoughtful details, these pieces pair perfectly and extend the elegant look of your Lynx cooking devices.

Create a place that goes beyond cooking. Create a place that's always waiting for you—a place where you want to stay.



MODEL LZ0TR

OUTDOOR TRASH CENTER

- Attractive convenience—concealed option with two receptacles for recycling and trash
- Stunning details—hand-polished mirrored highlights
- Elegant touch—Lynx Professional style door handle
- Stable strength—rigid welded construction ensures strength and longevity



MODEL LTA30

30" TRASH CENTER & DOUBLE DRAWERS

- Efficient space—combination trash center and storage system
- Quick clean-up—includes a removable receptacle for recycling or trash
- Convenient storage—with two stacked drawers
- Proven durability—robust commercial design
- Easy fit—accommodates a small trash bin or an LP gas tank
- Elegant touch—polished door handles



MODEL LUDE

UTILITY DRAWERS - DOUBLE DRAWERS

- Extensive storage—the extended depth of 22 inches accommodates oversized grilling tools, towels, or wood chips
- Stable strength—rigid welded construction ensures strength and longevity
- Stunning details—hand-polished mirrored highlights
- Smooth reliability—fully extendable drawers on commercial stainless steel rollers
- Elegant touch—polished door handles



MODEL LUDXL-1

UTILITY DRAWERS - EXTRA LARGE DOUBLE DRAWERS

- Extensive storage—the extended depth of 22 inches accommodates oversized grilling tools, towels, or wood chips
- Stable strength—rigid welded construction ensures strength and longevity
- Stunning details—hand-polished mirrored highlights
- Smooth reliability—fully extendable drawers on commercial stainless steel rollers
- Elegant touch—polished door handles



MODEL LMD

MODULAR STORAGE DRAWER

- Lasting beauty—high-quality stainless steel
- Variable configuration—drawers can be installed individually, or as two or three drawers stacked
- Optional expansion—a modular drawer kit (Model LMD-MT) lets you stack drawers two or three high
- Complete access—full-extension glide-out drawer slides for access to the back of the drawer
- Consistent lines—the 3-drawer configuration matches the height of Lynx LDR Access Doors



MODEL LPA36

36" CLASSIC SEALED PANTRY

- Clean storage—magnetic gasket ensures a tight seal against outdoor elements
- Flexible storage—adjustable wire shelf
- Spacious storage—storage is 31 by 18 by 20 inches
- Complete access—full-extension glide-out drawer slides for access to the back of the drawer
- Striking effect—interior lighting for drawers and door lock

CLASSIC STORAGE COLLECTION



MODEL L18TS

COUNTERTOP TRASH CHUTE

- Quick access—offers convenient countertop trash disposal
- Intuitive convenience—commercial-style slide-away chopping board
- Versatile integration—works with any Lynx trash center
- Beautiful coverage—stainless steel cover with a polished highlight included



MODEL	DESCRIPTION
LDR18L	18" Access Door (Hinge Left)
LDR18R	18" Access Door (Hinge Right)
LDR24L	24" Access Door (Hinge Left)
LDR24R	24" Access Door (Hinge Right)
LDR30T	30" Access Doors
LDR36T	36" Access Doors
LDR42T	42" Access Doors
LSA30	30" Door Drawer Combination
LSA36	36" Door Drawer Combination
LSA42	42" Door Drawer Combination
LPA36	36" Sealed Pantry
LUDE	Utility Drawers - Two full standard drawers with 5" offset handles
LUDX-1	Utility Drawers - Two Extra Large drawers with 5" offset handles.
LWD16	Double Drawer 16" Wide (soft close)
LWD19	Double Drawer 19" Wide (soft close)
LMD	Moulder Drawer (single drawer)
LMD-MIT	Modular Drawer Kit (allows you to stack model LMD 2 or 3 high)
LTS30	30" Trash and Double Drawers
LZ0TR	Trash and Recycle Center
L18TS	Trash Chute

NOTE: For planning and installation details, including dimensions, specification sheets, and CAD drawings, please visit the Support/Product Documents section of the Lynx website: lynxgrills.com

SINKS AND COCKTAIL STATIONS



MODEL LSK30

30" SINK

- Generous space—basin is 26.75 by 16.5 by 10 inches, has a 3.5-inch drain with stopper and basket, and accommodates disposal units
- Thorough chilling—fully insulated with capacity for 30 pounds of ice
- Striking effect—blue lighting and switch
- Beautiful coverage—stainless steel cover included



MODEL LSK24

24" SINK

- Generous space—basin is 20.75 by 16.5 by 10 inches, has a 3.5-inch drain with stopper and basket, and accommodates disposal units
- Beautiful coverage—stainless steel cover included
- Thorough chilling—fully insulated with capacity for 24 pounds of ice
- Striking effect—blue lighting and switch



MODEL LSK18

18" SINK

- Convenient depth—basin is 18.75 by 16.5 by 10 inches, has a 3.5-inch drain with stopper and basket, and accommodates disposal units
- Beautiful coverage—stainless steel cover included
- Thorough chilling—fully insulated with capacity for 18 pounds of ice
- Striking effect—blue lighting and switch



MODEL LPPK

GOOSENECK PULL-DOWN FAUCET

- Flexible use—features a pull-down faucet head
- Lasting assurance—outdoor rated with a 10-year warranty
- Long-lasting design—carefully engineered to operate without washers
- Easy functionality—easily operates with a single-lever handle
- Flawless finish—solid stainless steel faucet
- Versatile configuration—install for hot/cold or cold-only water
- Elegant simplicity—designed with understated style
- Tested efficiency—compliant with California Energy Commission (CEC) standards



MODEL LCS30

30" BUILT-IN COCKTAIL PRO

- Quick convenience—built-in bottle opener with cap catcher
- Intuitive design—bottle boots chill juices, wines, and mixes while the speedball front offers easy access to bottle storage
- Eye-catching illumination—blue lighting on the front panel
- Ready to chill—the insulated ice bin with sliding stainless steel cover keeps ice at the ready all day
- Intuitive convenience—integrated towel holder



MODEL LCS30F

30" FREESTANDING COCKTAIL PRO

- Some features as LCS30 (left) plus:
- Quick expansion—two fold-down shelves
 - Easy clean-up—doors include bottle shelves that are removable for easy cleaning
 - Ready to roll—four commercial casters make these units easy to move
 - Optional expansion—shown with optional pass shelf and halogen light (LCS3PS)
 - Beautiful coverage—stainless steel cover included

Outdoor kitchens create experiences, and inspire conversations, that don't happen anywhere else. To keep your attention on the things that matter, you need a simple place for rinsing, filling, or washing without stepping away.

SINKS AND COCKTAIL STATIONS

MODEL	DESCRIPTION
LSK18	18" Insulated Sink
LSK24	24" Insulated Sink
LSK30	30" Insulated Sink
LPPK	Pull Down Gooseneck Faucet
LCS30	Built-in Cocktail Pro Station
LCS30F	Freestanding Cocktail Pro Station
LCS3PS	Pass Shelf accessory with halogen light
CCLSK18	18" Sink Carbon Fiber Vinyl Cover (for sink with faucet LPPK)
CCLSK24	24" Sink Carbon Fiber Vinyl Cover (for sink with faucet LPPK)
CCLSK30	30" Sink or 30" Cocktail Carbon Fiber Vinyl Cover (for sink/cocktail pro with faucet LPPK)

NOTE: For planning and installation details, including dimensions, specification sheets, and CAD drawings, please visit the Support/Product Documents section of the Lynx website: lynxgrills.com



Shown: LEH39

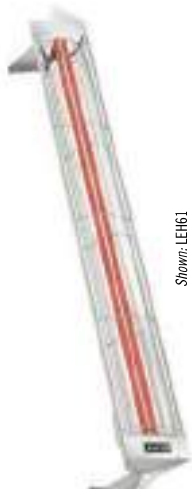
MODEL LEH39

39" DUAL ELEMENT ELECTRIC HEATER

- Includes dual stacked control
- 4000 Watt, 240 Volt capacity
- 8-12" mounting height
- UL Listed for outdoor use
- 8 x 10" heat coverage
- Approximately 5000 hours of use per element



Shown: Dual Stacked Control on Mounting Plate (Mounting Plate not included) Included with both LEH39 and LEH61



Shown: LEH61

MODEL LEH61

61" DUAL ELEMENT ELECTRIC HEATER

- Includes dual stacked control
- 6000 Watt, 240 Volt capacity
- 10-14" mounting height
- UL Listed for outdoor use
- 11 x 11" heat coverage
- Approximately 5000 hours of use per element



MODEL LHPM

POST-MOUNTED INFRARED OUTDOOR HEATER

- Proven durability—robust commercial design, built with stainless steel
- Intense performance—polished double surface reflector intensifies heat output
- Proven reliability—designed for improved wind resistance
- Comfortable configuration—remote wall switch operation with high/low heat selection
- Tailored fitting—available only with natural gas
- Copious comfort—innovative technology reduces the center hot spot and distributes heat more evenly
- Broad coverage—emits a large radius of heat
- Consistent assurance—direct spark ignition with automatic relighting
- Comprehensive configuration—Remote wall switch operation (LHPM-ELC switch kit included)
- 2-stage output from 53,000 BTUs to 46,000 BTUs

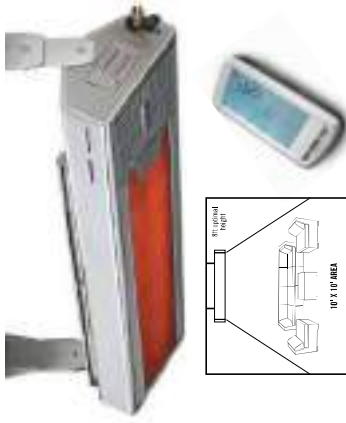


Shown: LHPM-ELC

MODEL LUEN48

48" EAVE-MOUNTED OUTDOOR HEATER

- Lasting elegance—Lynx legendary all-stainless-steel welded construction
- Functional beauty—decorative safety grill provides wind resistance
- Expansive warmth—heats up to a 10-by-10-foot area, depending on location and height
- Independent freedom—starter is battery operated, with no outlet required
- Impressive control—includes an additional touch screen remote control
- Elegant simplicity—designed with understated style
- Versatile adaptation—operates with Liquid Propane or Natural Gas
- Consistent assurance—direct spark ignition with automatic relighting
- Adaptive configuration—includes a wireless wall-mounted switch with on/off/high/low settings
- Variable output from 35,000 BTUs to 24,000 BTUs
- Temperature control from 45°–90° F



The Lynx Life awaits you all year round. Outdoor heaters help you extend those late-night conversations and early-morning reflections. Savor the crisp Fall and Winter seasons as you host celebrations or take time to contemplate.

OUTDOOR HEATING

MODEL DESCRIPTION

LEH39	39" Dual Element electric heater
LEH61	61" Dual Element electric heater
FMMT39	Flush Mount Frame Kit for LEH39
FMMT61	Flush Mount Frame Kit for LEH61
LERE2024	Replacement Element for LEH39
LERE3024	Replacement Element for LEH61
LHPM-NG	Post-Mounted Infrared Outdoor Heater (NG)
LHEM48	Eave-Mounted Heater
LHPM-BC	Base Mounting Cover (for use with LHPM Only)
LHPM-IC	Inset Post-Hole Cover
COMD	Outdoor Heater Dome Carbon Fiber Vinyl Cover / Fits Models LHPM

ACCESSORIES

Lynx Accessories help compliment and complete your Lynx outdoor kitchen. Choose the final touches that complete your perfect picture. The details matter.

LYNXGRILLS.COM



MODEL LSTK

LYNX STEAK KNIFE SET

- Complete preparation—set includes six 5-inch steakhouse-style knives with a beautiful wooden case
- Magnificent quality—crafted from German stainless steel delivers perfect performance
- Elegant finish—polished black and stainless steel handles



MODEL LGRT

GRILLING TOOL SET

- Ready for action—three-piece tool set with additional basting brush attachment
- Intuitive design—spatula has a serrated leading edge that allows tool to slide easily under food
- Secure hold—tongs have a locking mechanism to grip food easily
- Versatile use—basting brush easily bastes juices onto food, attachment also works with cleaning tool
- Simple clean-up—cleaning tool helps eliminate baked foods from solid grates
- Comfortable grip—large, durable handles with ergonomic design for comfort, efficiency, and ease of use



MODEL R88

ROTISSERIE BASKET

- Brilliant versatility—great for vegetables, chicken wings, roasting coffee beans and more
- Easy addition—compatible with any Lynx or Sedona rotisserie grill
- Flexible placement—works with both the rear rotisserie burner or standard grilling burners
- Quick clean-up—easy to clean and dishwasher safe



LYNX SONOMA BLEND SMOKING CHIPS

- Delicious options—available in four different flavors: Pecan, Apple, Mesquite and Hickory
- Easy to use—no soaking required



MODEL GP

GRIDDLE PLATE

- Amazing options—cook anything on your grill
- Generous space—11" x 15" cooking surface
- Thoughtful design—angled 5° slope front to rear to prevent spillage, and 2" high sides
- Stable placement—four feet firmly grip grates
- Quick clean-up—easy-to-clean stainless steel surface



MODEL	DESCRIPTION
LSTK	Lynx Steak Knife Set
R88	Rotisserie Basket
LGRT	Grilling Tool Set
GP	Griddle Plate
PROLPK	30" / 42" / 54" Grills - NG to LP Conversion Kit
PRONGK	30" / 42" / 54" Grills - LP to NG Conversion Kit
PRELPK	27" / 36" Grills - NG to LP Conversion Kit
PRENGK	27" / 36" Grills - LP to NG Conversion Kit
ATRLPK	All Trident 30" / 36" / 42" - NG to LP Conversion Kit
ATRNGK	All Trident 30" / 36" / 42" - LP to NG Conversion Kit
SLPK	Side Burners - NG to LP Conversion Kit
SNGK	Side Burners - LP to NG Conversion Kit
LPEK	12' extension cord between a Lynx Grill and a Lynx Accessory
LASK	Lynx Accessory Switch Kit - Switch & transformer to operate an accessory independently
LSCA	Woodchip Blend, Apple
LSCH	Woodchip Blend, Hickory
LSCM	Woodchip Blend, Mesquite
LSCP	Woodchip Blend, Pecan
LSCF	Woodchip Blend - Four Pack, Hickory, Mesquite & Pecan

NOTE: For planning and installation details, including dimensions, specification sheets, and CAD drawings, please visit the Support/Product Documents section of the Lynx website: lynxgrills.com

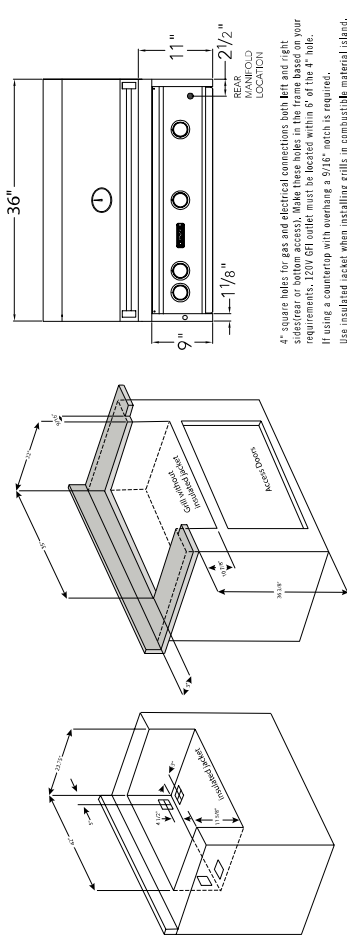
SPECIFICATIONS

The guides, measurements, and dimensions detailed below are designated to assist you with planning your outdoor kitchen. **NOTE:** Due to continuing product innovation, specifications are subject to change without notice. All measurements are in inches. **IMPORTANT:** Please reference the Care & Use / Installation manual for details on gas plumbing requirements, electrical specifications, and the proper installation of your Lynx outdoor kitchen equipment. This manual can be downloaded from the Lynx website at www.lynxgrills.com

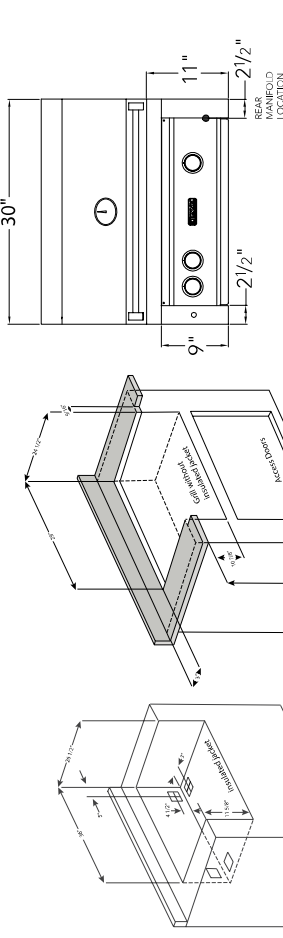
NOTE: For planning and installation details, including dimensions, specification sheets, and CAD drawings please visit the Trade Resources section of the Lynx website: lynxgrills.com

SPECIFICATIONS

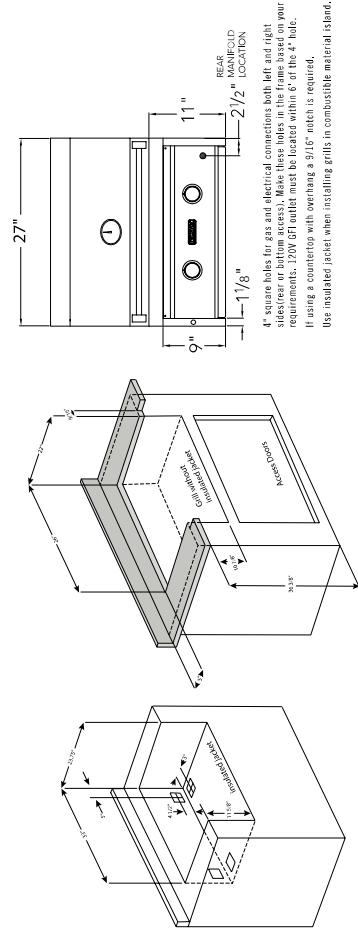
36" GRILL DIMENSIONS & ISLAND PREPARATION



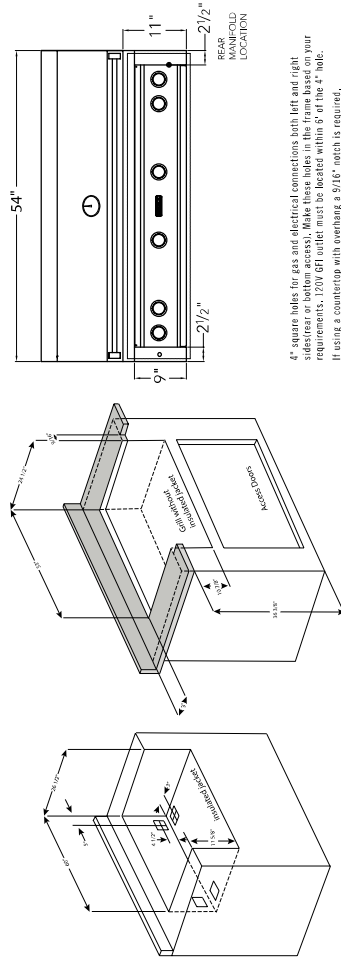
30" GRILL DIMENSIONS & ISLAND PREPARATION



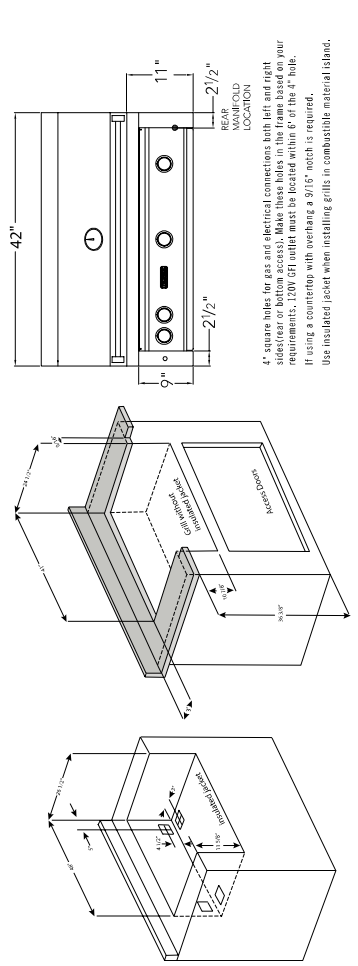
27" GRILL DIMENSIONS & ISLAND PREPARATION



54" GRILL DIMENSIONS & ISLAND PREPARATION

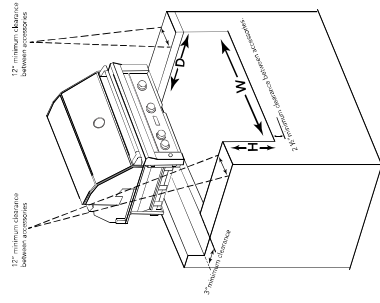


42" GRILL DIMENSIONS & ISLAND PREPARATION



SPECIFICATIONS

BUILT-IN GRILL SPECIFICATIONS & INSTALLATION



GRILLS

MODEL	W (Width)	H (Height)	D (Depth)
L27	26.00	10.88	22.00
L30	29.00	10.88	24.50
L36	35.00	10.13	22.00
L42	41.00	10.88	24.50
L54	53.00	10.88	24.50

4" square holes for gas and electrical connections both left and right sides (rear or bottom access). Make these holes in the frame based on your requirements. 120V GFI outlet must be located within 6" of the 4" hole.

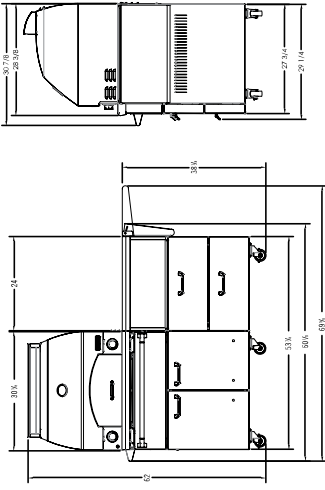
If using a countertop with overhang a 5/16" notch is required.

Use insulated jacket when installing grills in combustible material island.



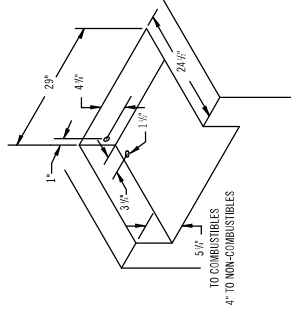
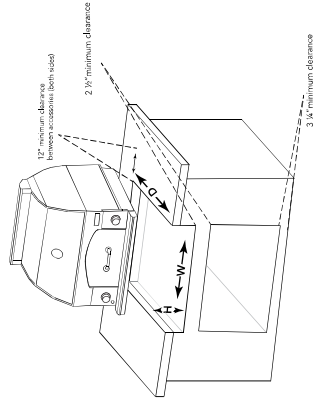
SPECIFICATIONS

NAPOLI OUTDOOR OVEN™ FREESTANDING

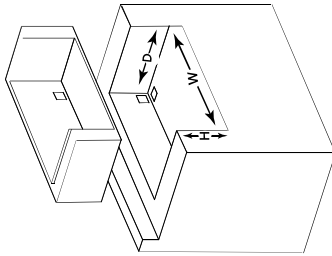


MODEL	W (Width)	H (Height)	D (Depth)
LP2A	29.00	4.00	24.50

NAPOLI OUTDOOR OVEN™ ISLAND PREPARATION



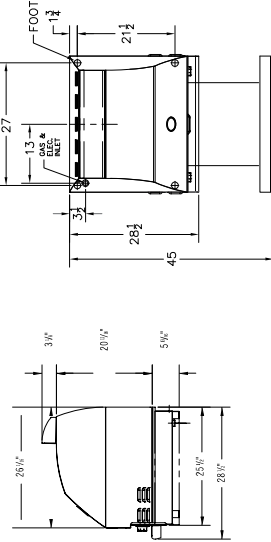
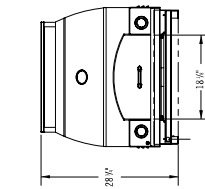
INSULATED JACKET SPECIFICATIONS & INSTALLATION



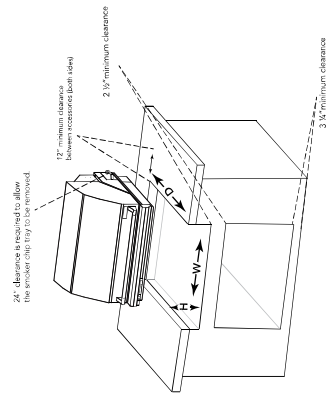
INSULATED JACKET

MODEL	W (Width)	H (Height)	D (Depth)
LI27	33.00	11.63	23.75
LI30	36.00	11.63	26.50
LI36	42.00	11.63	23.75
LI42	48.00	11.63	26.50
LI54	60.00	11.63	26.50

NAPOLI OUTDOOR OVEN™ COUNTERTOP OR BUILT-IN



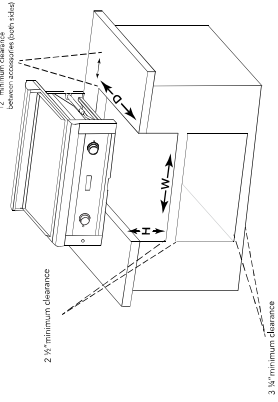
SMOKER SPECIFICATIONS & INSTALLATION



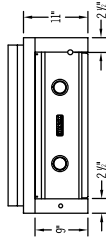
MODEL	W (Width)	H (Height)	D (Depth)
LSMK	29.00	4.00	24.50

SPECIFICATIONS

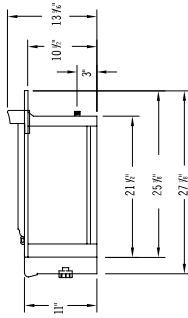
ASADO COOKTOP SPECIFICATIONS & INSTALLATION



MODEL	W (Width)	H (Height)	D (Depth)
L30AG	29.00	10.88	24.50

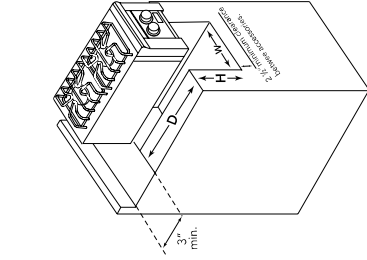


REAR MANIFOLD LOCATION

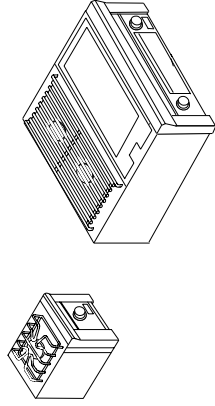


SPECIFICATIONS

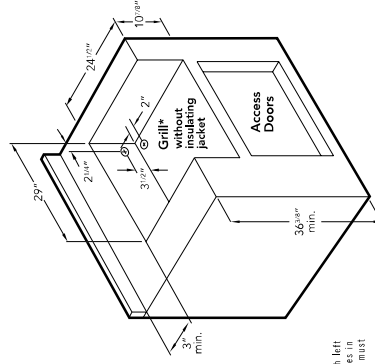
SIDE BURNER SPECIFICATIONS & INSTALLATION



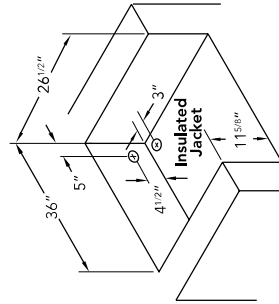
MODEL	W (Width)	H (Height)	D (Depth)
LS8L-3	12.13	10.63	12.50
LS8P-2	12.13	10.63	24.50
LS8/PC-1	24.25	10.63	24.50
LPB	19.00	10.63	22.00



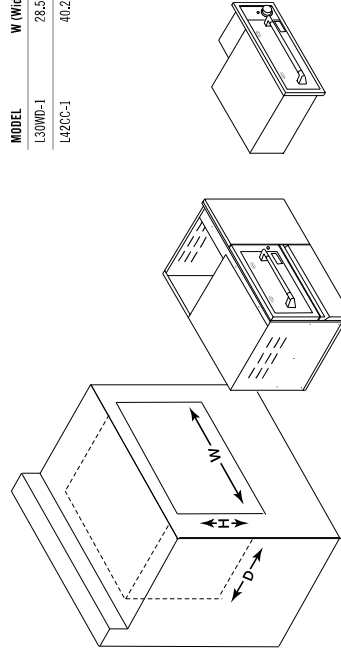
WARMING DRAWERS SPECIFICATIONS & INSTALLATION



4" square holes for gas and electrical connections both left and right (side/rear or bottom access). Make these holes in the cabinet cutout. 1/2" NPT outlet must be installed within 6" of the 4" hole.

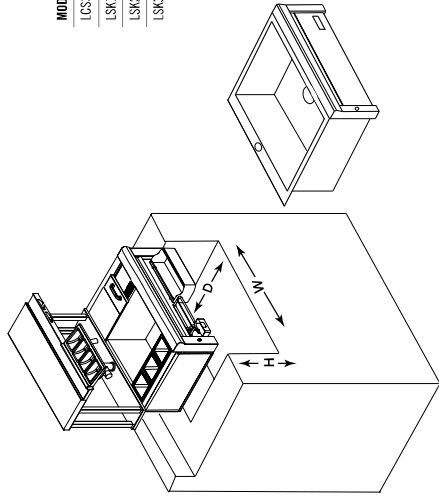


MODEL	W (Width)	H (Height)	D (Depth)
L30WD-1	28.50	10.00	20.50
L420C-1	40.25	19.38	24.50



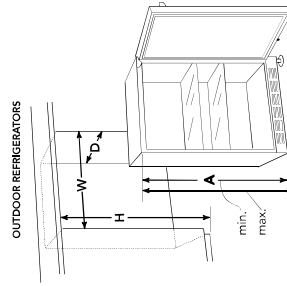
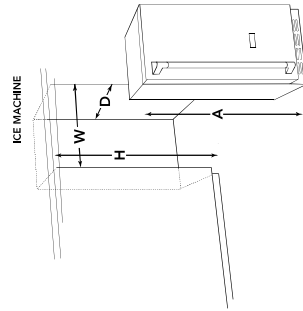
SPECIFICATIONS

COCKTAIL PROFESSIONAL SIMS SPECIFICATIONS & INSTALLATION



MODEL	W (Width)	H (Height)	D (Depth)
CS30	29.00	10.50	22.00
SK18	17.00	10.50	22.00
SK24	23.00	10.50	22.00
SK30	29.00	10.50	22.00

REFRIGERATION ISLAND PREPARATION

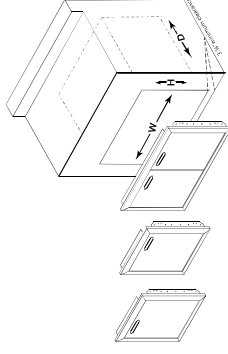


MODEL	W (Width)	H (Height)	D (Depth)	A (Adj. Height)
LM1SREF	34.00-35.00	24.00	24.00	33.75-34.75
LM2AREF	24.00	34.00-35.00	24.00	33.75-34.75
LM2AREFC	24.00	34.00-35.00	24.00	33.75-34.75
LM2ABF	24.00	34.00-35.00	24.00	33.75-34.75
LM2ADWR	24.00	34.00-35.00	24.00	33.75-34.75
LM15WNE	15.00	34.00-35.00	24.00	33.75-34.75
LM1SDPR	15.00	34.00-35.00	24.00	33.75-34.75

SPECIFICATIONS

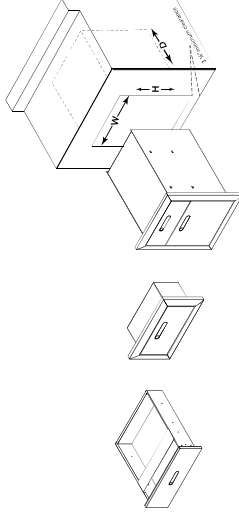
STORAGE

ACCESS DOORS



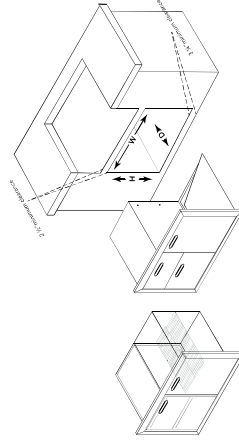
MODEL	W (Width)	H (Height)
LDR18L/R-4	13.38	19.00
LDR24L/R-4	19.25	19.00
LDR30T-4	25.13	19.00
LDR36T-4	31.50	19.00
LDR42T-4	37.50	19.00
LDR18L/R	13.63	19.00
LDR24L/R	19.25	19.00
LDR30T	25.25	19.00
LDR36T	31.63	19.00
LDR42T	37.63	19.00

UTILITY DRAWERS



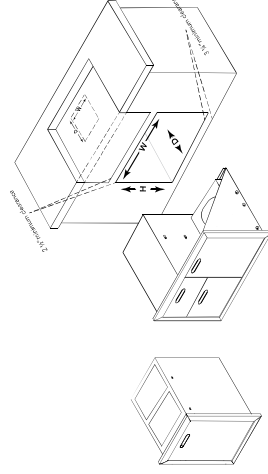
MODEL	W (Width)	H (Height)	D (Depth)
LDM16-4	12.25	19.00	24.50
LDM19-4	15.25	19.00	24.50
LMD-4	21.75	5.63	23.38
LWYL	14.63	7.25	7.00
LMD	21.75	5.63	23.38
LDM16	14.00	19.00	24.50
LDM19	17.50	19.00	24.50
LWDE	12.13	19.25	24.00
LUDXL-1	17.25	18.56	24.25

STORAGE SYSTEMS



MODEL	W (Width)	H (Height)	D (Depth)
LSA30-4	25.44	19.00	24.50
LSA36-4	31.44	19.00	24.50
LSA42-4	37.44	19.00	24.50
LPA36-4	31.50	19.00	24.50
LSA30	28.25	19.00	24.50
LSA36	34.25	19.00	24.50
LSA42	40.25	19.00	24.50
LPA36	34.25	19.00	24.50

TRASH CENTERS



MODEL	W (Width)	H (Height)	D (Depth)
L20TR-4	16.13	24.00	24.50
LIA30-4	25.44	19.00	24.50
L18TS	8.25	6.25	—
LIA30	28.25	19.00	24.50
L20TR	16.81	24.00	24.75

PRODUCT DIMENSION QUICK-REFERENCE GUIDE

GRILLS

MODEL	W (Width)	H (Height)	D (Depth)
L27	26.00	10.88	22.00
L30	29.00	10.88	24.50
L36	35.00	10.13	22.00
L42	41.00	10.88	24.50
L54	53.00	10.88	24.50

SIDE BURNERS

MODEL	W (Width)	H (Height)	D (Depth)
LSB1-3	12.13	10.63	12.50
LSB2-2	12.13	10.63	24.50
LSB2PC-1	24.25	10.63	24.50
LPB	19.00	10.63	22.00

STORAGE ACCESS DOORS

MODEL	W (Width)	H (Height)
LDR18L/R-4	13.38	19.00
LDR24L/R-4	19.25	19.00
LDR30T-4	25.13	19.00
LDR36T-4	31.50	19.00
LDR42T-4	37.50	19.00
LDR18L/R	13.63	19.00
LDR24L/R	19.25	19.00
LDR30T	25.25	19.00
LDR36T	31.63	19.00
LDR42T	37.63	19.00

STORAGE SYSTEMS

MODEL	W (Width)	H (Height)	D (Depth)
LS30-4	25.44	19.00	24.50
LS36-4	31.44	19.00	24.50
LS42-4	37.44	19.00	24.50
LP36-4	31.50	19.00	24.50
LS30	28.25	19.00	24.50
LS36	34.25	19.00	24.50
LS42	40.25	19.00	24.50
LP36	34.25	19.00	24.50

INSULATED JACKET

MODEL	W (Width)	H (Height)	D (Depth)
LIJ27	33.00	11.63	23.75
LIJ30	36.00	11.63	26.50
LIJ36	42.00	11.63	23.75
LIJ42	48.00	11.63	26.50
LIJ54	60.00	11.63	26.50

WARMING DRAWERS

MODEL	W (Width)	H (Height)	D (Depth)
L30WD-1	28.50	10.00	20.50
L42CC-1	40.25	19.38	24.50

STORAGE UTILITY DRAWERS

MODEL	W (Width)	H (Height)	D (Depth)
LDM16-4	12.25	19.00	24.50
LDM19-4	15.25	19.00	24.50
LMD-4	21.75	5.63	23.38
LTM	14.63	7.25	7.00
LMD	21.75	5.63	23.38
LDM16	14.00	19.00	24.50
LDM19	17.50	19.00	24.50
LDM	12.13	19.25	24.00
LDMX-1	17.25	18.56	24.25

TRASH CENTERS

MODEL	W (Width)	H (Height)	D (Depth)
L20TR-4	16.13	24.00	24.50
LT30-4	25.44	19.00	24.50
L18TS	8.25	6.25	—
LT30	28.25	19.00	24.50
L20TR	16.81	24.00	24.75

NAPOLI OUTDOOR OVEN™ / SMOKER / ASADO COOKTOP

MODEL	W (Width)	H (Height)	D (Depth)
LPZA	29.00	4.00	24.50
LSMK	29.00	4.00	24.50
LS04G	29.00	10.88	24.50

COCKTAIL PROFESSIONAL SINKS

MODEL	W (Width)	H (Height)	D (Depth)
LCS30	29.00	10.50	22.00
LSK18	17.00	10.50	22.00
LSM24	23.00	10.50	22.00
LSK30	29.00	10.50	22.00

REFRIGERATION

MODEL	W (Width)	H (Height)	D (Depth)	A (Adj. Height)
LM15REF	15.00	34.00-35.00	24.00	33.75-34.75
LM24REF	24.00	34.00-35.00	24.00	33.75-34.75
LM24REFC	24.00	34.00-35.00	24.00	33.75-34.75
LM24BF	24.00	34.00-35.00	24.00	33.75-34.75
LM24DWR	24.00	34.00-35.00	24.00	33.75-34.75
LM15MIE	15.00	34.00-35.00	24.00	33.75-34.75
LM15ICER	15.00	34.00-35.00	24.00	33.75-34.75

NOTE: For planning and installation details, including dimensions, specification sheets, and CAD drawings please visit the Trade Resources section of the Lynx website: lynxgrills.com

WARRANTY INFORMATION

I. LIMITED LIFETIME WARRANTY

The stainless steel grill body, ceramic grill burners, cooking grates, Tri-Dent™ burner and rotisserie infrared burner are warranted to be free from defects in material and workmanship when subjected to normal domestic use and maintenance for the lifetime of the original purchaser. This warranty excludes surface corrosion, scratches, and discoloration which may occur during normal use. This warranty is limited to the replacement of the defective parts, with the owner paying a processing fee and all other costs including labor. Failure to perform required maintenance will void this warranty.

II. LIMITED FIVE-YEAR WARRANTY

The following grill parts are warranted to be free from defects in material and workmanship when subjected to normal domestic use and maintenance, for a period of five (5) years from the original date of purchase: warming racks, spit rods, briquette trays, manifolds and gas valves. This warranty is limited to the replacement of the defective parts, with the owner paying a processing fee and all other costs including labor.

III. LIMITED TWO-YEAR WARRANTY

All other grill components are warranted to be free from defects in material and workmanship, when subjected to normal domestic use and maintenance, for a period of two (2) years from the original date of purchase. This warranty is limited to the replacement of the defective parts, with the consumer paying all labor costs.

IV. LIMITED ONE-YEAR WARRANTY

For a period of one (1) year from the original date of purchase, Lynx will replace or repair parts found to be defective at no cost to the original purchaser. This includes the cost of shipping replacement parts and, where necessary, service labor at prevailing local rates by a Lynx authorized service person. Service will be provided during normal business hours and must be authorized in advance by Lynx.

V. LIMITATIONS & EXCLUSIONS

- 1) This Warranty shall apply to products purchased and located in the United States and Canada. Products must be purchased in the country where service is requested.
- 2) Warranty applies only to the original purchaser and may not be transferred.
- 3) Warranty is in lieu of all other warranties expressed or implied and all other obligations or liabilities related to the sale or use of Lynx products.
- 4) Warranty shall not apply and Lynx is not responsible for damage resulting from misuse, abuse, failure to provide reasonable and necessary required maintenance, natural disaster, animals, and alteration of or tampering with the appliance, accident, hostile environment, flare-up fires, improper installation or operation, or an installation not in accordance with the instructions contained in this manual, or the local codes.

CONNECT WITH THE LYNX LIFE



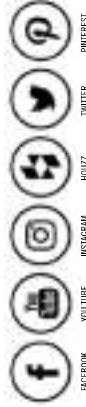
THERE'S SO MUCH MORE LYNX LIFE ONLINE!

Visit [lynxgrills.com](https://www.lynxgrills.com) and check out our complimentary design service, full library of product information and documents, videos, and photos

PRODUCT REGISTRATION ONLINE

Go to <https://www.lynxgrills.com/customer-care/product-registration> to register your new professional Lynx Grill warranty. The information you provide will not be shared with third parties or individuals without your consent.

CONNECT WITH  LYNX ON



HOW TO OBTAIN SERVICE FROM LYNX

Before calling for service, please make sure you have the following information:

- Model Number
- Date of Purchase
- Proof of Purchase by the original owner
- Serial Number

Serial number can be located on the rating plate, which is located either on the underside of the drip tray or on the heat shield behind the front panel

For warranty service, contact the Lynx Customer Service Department for an authorized service agent near you at: 888-289-5969 or service@lynxgrills.com

Your satisfaction is of the utmost importance to us. If a problem cannot be resolved to your satisfaction, please write, fax, or email us:

Lynx Grills, Inc.
7300 Flores Street, Downey, CA 90242
Service: 888-289-5969 • Tel: 888-289-5969 • Fax: 562-295-6978
www.lynxgrills.com

Contact Lynx for replacement parts. Parts are shipped F.O.B. Downey, CA



FOR MORE INFORMATION, PLEASE CALL 1.888.289.5969 OR VISIT WWW.LYNXGRILLS.COM
PROUDLY HANDCRAFTED AND MANUFACTURED IN THE USA

LYNX GRILLS, INC.
7300 FLORES STREET DOWNEY, CA 90242 P/N 36518 02/01/2019 ©LYNX GRILLS, INC.