

Lynx Electrical Kits

These instructions pertain to the following Electrical Accessory Kits:

LASK	Lynx Accessory Switch Kit	Switch and Transformer to operate an Accessory independently.
LPEK	Lynx Power Extension Kit	12 foot extension cord between a Lynx Grill and Lynx Accessory.
LAK	Lynx Electrical Adapter Kit	Connector sets to connect a 2010 Lynx Grill to an earlier Lynx Grill as well as an earlier Lynx Grill to a 2010 Accessory.

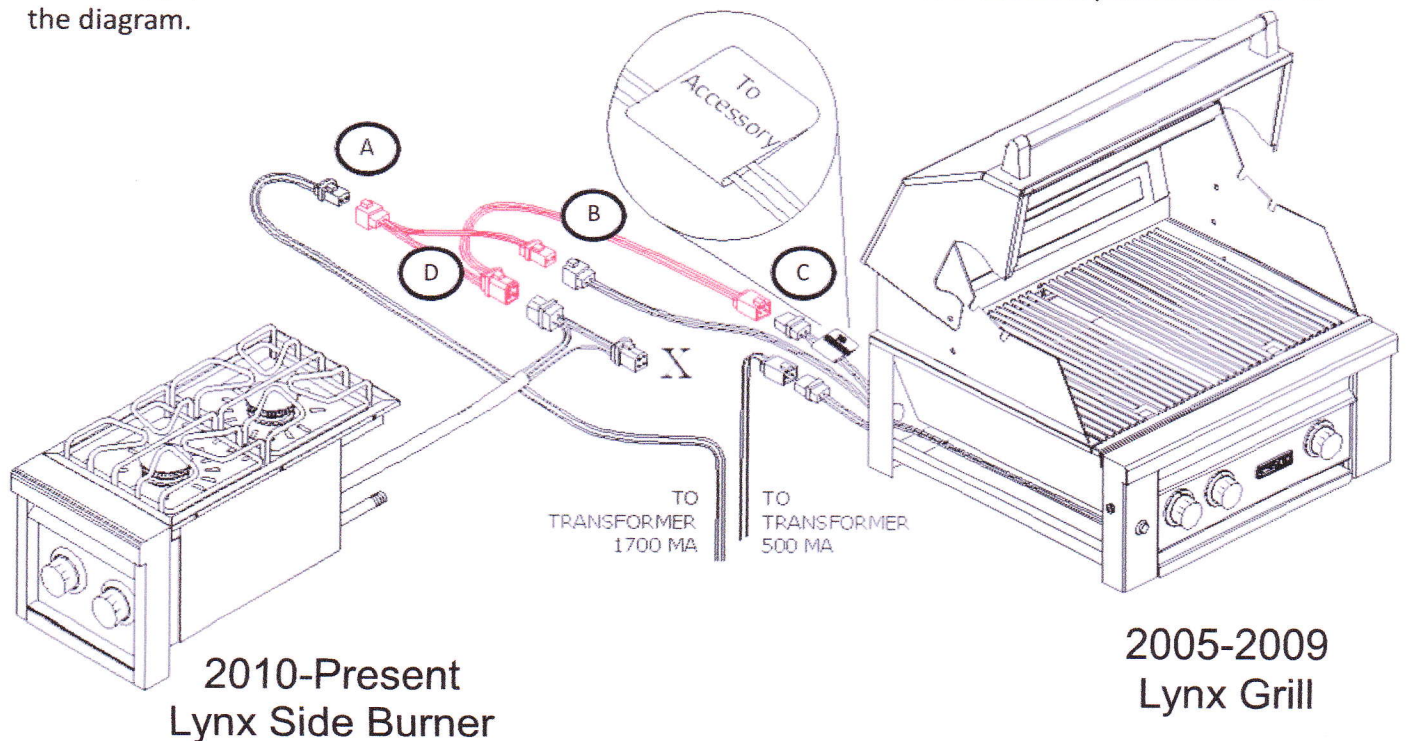
Lynx Electrical Adapter Kit: Model LAK

The Electrical Adapter Kit is designed to adapt the wiring connections between a model year 2010 Lynx grill or accessory with a previous model year.

Each kit contains two wire assemblies. Only one wire assembly will be used depending on the units being installed.

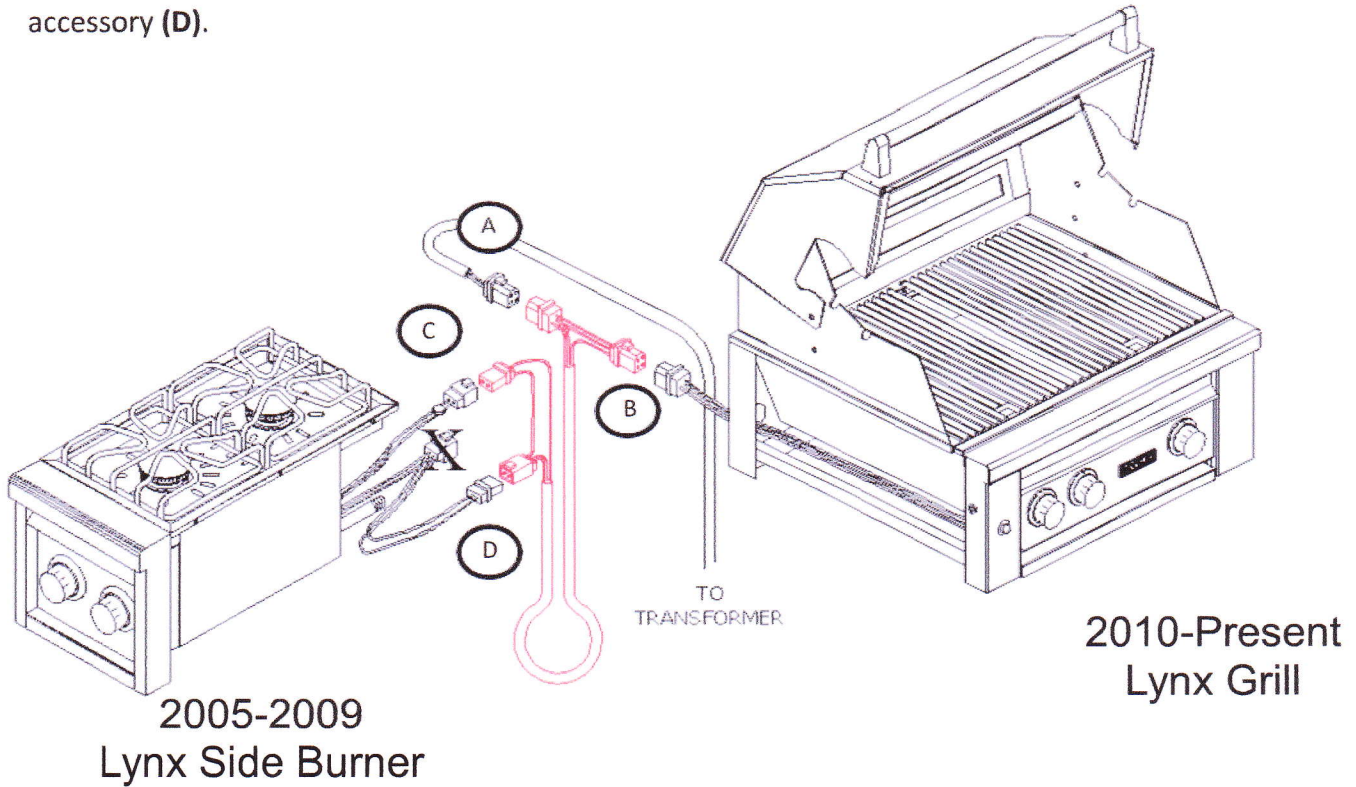
LAK Installation - 2010 Accessory to a prior model year Grill:

1. Disconnect the transformer lead labeled 1700mA. *DO NOT disconnect the lead labeled 500mA.*
2. Attach the 1700mA plug to the 2 pin receptacle shown as **(A)** in the diagram. Note that this receptacle has 4 wire leads attached to the back side. *DO NOT* confuse this with the receptacle shown as **(C)**.
3. Attach the receptacle from the grill that was attached to the transformer into the plug shown as **(B)** in the diagram.
4. Locate the plug on the back right side of the Grill that is labeled **TO ACCESSORY**. Make the connection to the receptacle shown as **(C)** in the diagram.
5. The last connection is the 4 pin plug on the adapter to the 4 pin receptacle on the wire lead from the accessory **(D)**. There will be one unused connector from the 2010 model accessory shown as **"X"** in the diagram.



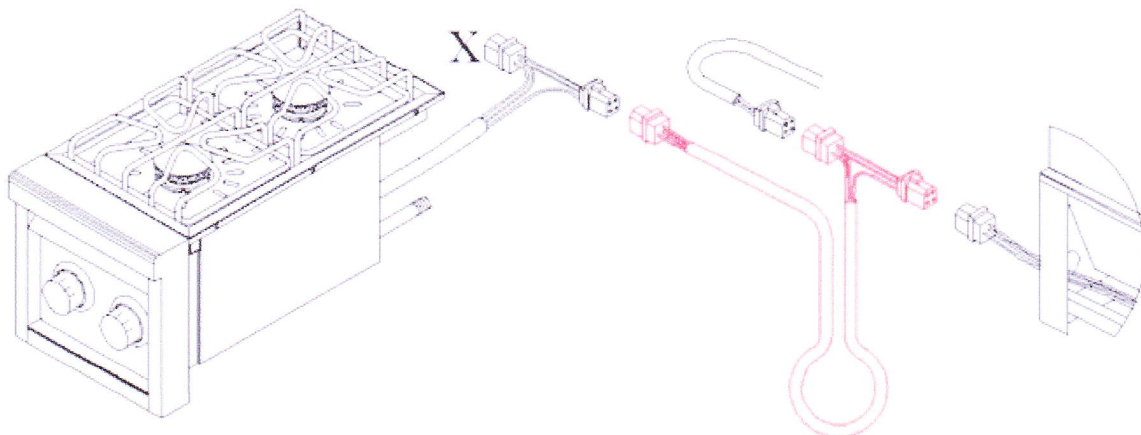
LAK Installation - 2010 Grill to a prior model year Accessory:

1. Disconnect the transformer lead From the Grill.
2. Attach the adapter wire assembly to the transformer and grill shown as **(A)** and **(B)** in the diagram.
3. Locate the receptacle on the back right side of the accessory that has two simple leads. Make the connection to the plug shown as **(C)** in the diagram. DO NOT confuse this with the receptacle shown as "X" in the diagram. The connector with 4 wire leads will not be used.
4. The last connection is the receptacle on the adapter to the 2 pin plug on the wire lead from the accessory **(D)**.



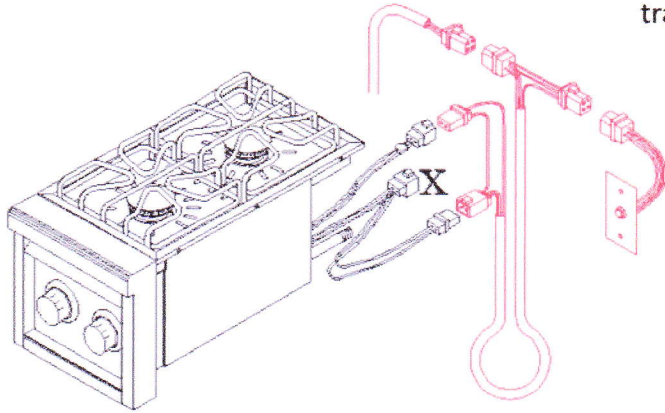
Lynx Power Extension Kit: Model LPEK

The Lynx Extension Kit provides 12 feet of additional wire between the Lynx Grill and Gas accessory.

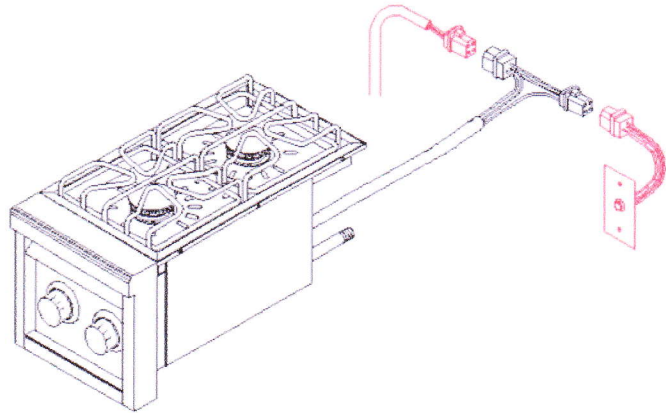


Lynx Accessory Switch Kit: Model LASK

The Lynx Accessory Switch Kit is designed to power a Lynx Accessory burner directly without a connection to the grill. The kit contains a transformer and mounting bracket as well as a switch assembly with a mounting plate. The kit also contains a wire harness to adapt a 2009 series accessory to the switch and transformer.



2005-2009
Lynx Side Burner



2010-Present
Lynx Side Burner