

ELECTRIC HEATERS



The Lynx Life awaits you all year round. Outdoor heaters help you extend those late-night conversations and early-morning reflections. Savor the crisp Fall and Winter seasons as you host celebrations or take time to contemplate.



Shown: LEH39

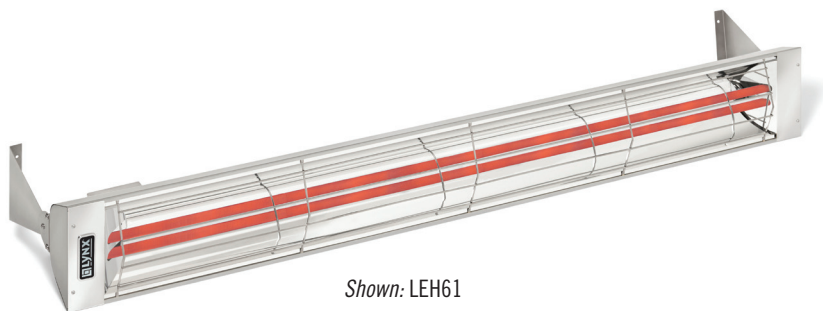


MODEL LEH39

39" DUAL ELEMENT ELECTRIC HEATER

- Includes dual stacked control
- 4000 Watt, 240 Volt capacity
- 8- 12' mounting height
- UL Listed for outdoor use
- 8 x 10' heat coverage
- Approximately 5000 hours of use per element

Shown: Dual stacked control.
Included with both LEH39 and LEH61



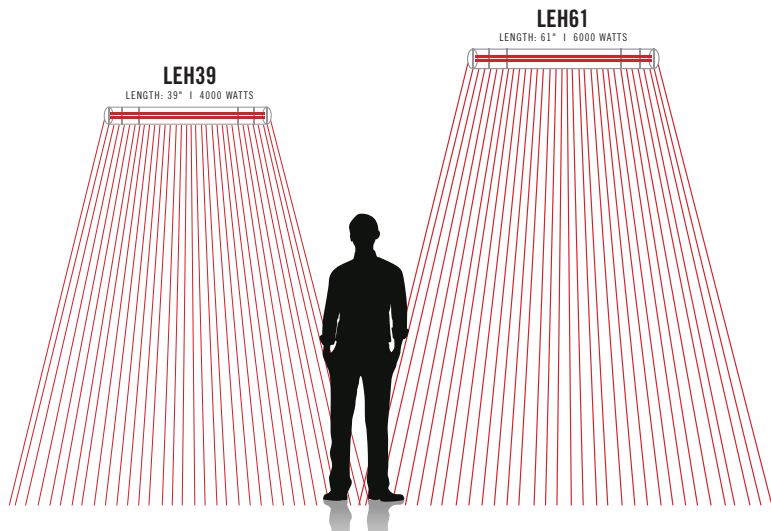
Shown: LEH61

MODEL LEH61

61" DUAL ELEMENT ELECTRIC HEATER

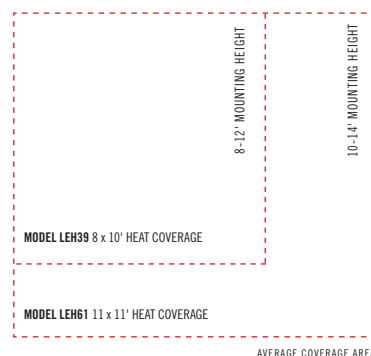
- Includes dual stacked control
- 6000 Watt, 240 Volt capacity
- 10-14' mounting height
- UL Listed for outdoor use
- 11 x 11' heat coverage
- Approximately 5000 hours of use per element

ELECTRIC HEATER COVERAGE AREA



MODEL	DESCRIPTION
LEH39	39" Dual Element electric heater
LEH61	61" Dual Element electric heater
FMKIT39	Flush Mount Frame Kit for LEH39
FMKIT61	Flush Mount Frame Kit for LEH61
LERE2024	Replacement Element for LEH39
LERE3024	Replacement Element for LEH61

Different spaces have different needs. You may require multiple heaters in order to properly heat your outdoor areas.



FLUSH MOUNT HEATER KITS INSTALLATION INSTRUCTIONS



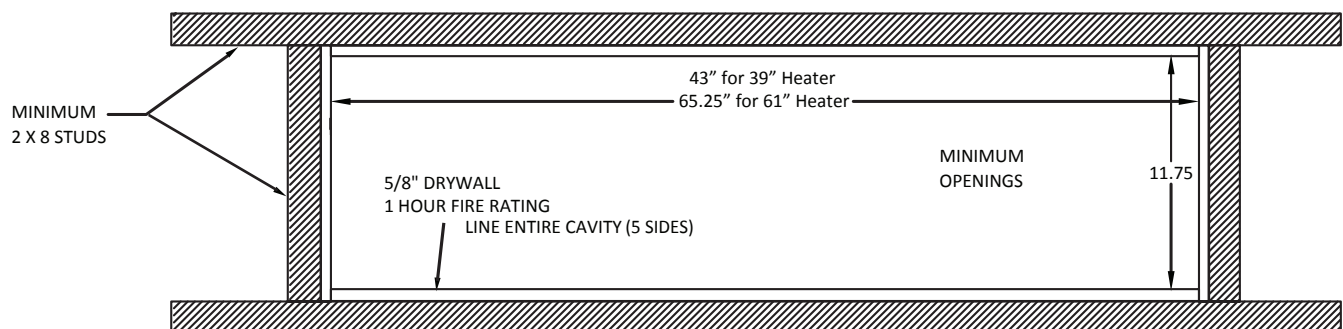
Lynx Grills Infrared Electric Heaters may be flush-mounted into a **non-sloped** ceiling.

- Choose from two sizes: a 39" or 61" frame, and from wattages ranging from 4,000–6,000 watts.
- Installation requires a flat ceiling and minimum 2" x 8" studs, where the heater can face straight down when recessed.
- Avoid flush mounting the heater close to a ceiling fan or light fixture.
- You will need to hire a licensed contractor in order to complete a flush mount installation.

FLUSH MOUNT YOUR HEATER IN FOUR SIMPLE STEPS

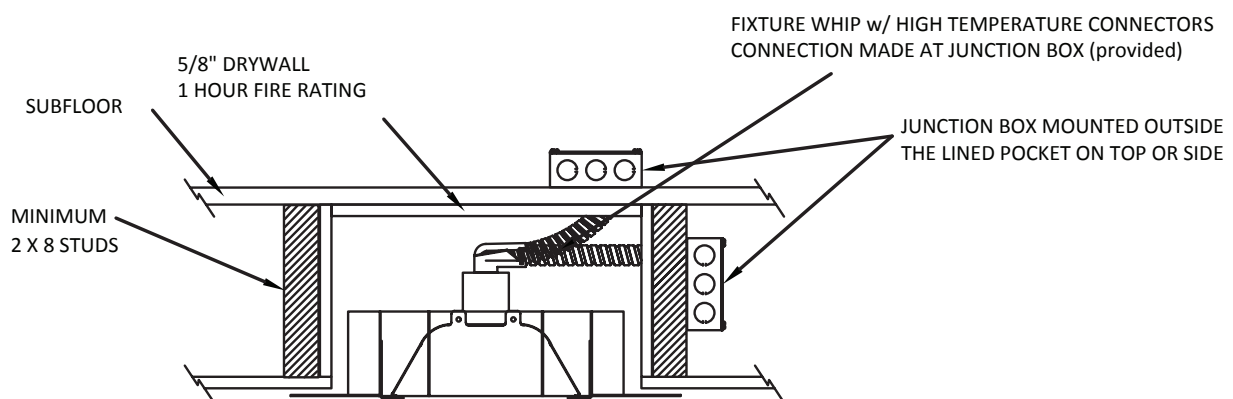
Step 1

Frame the pocket that will house the heater with a one hour-rated fire containment box.



Step 2

The junction box must be mounted outside of the lined pocket. You can choose to mount the junction box in a variety of locations, depending upon where you'll be accessing it.

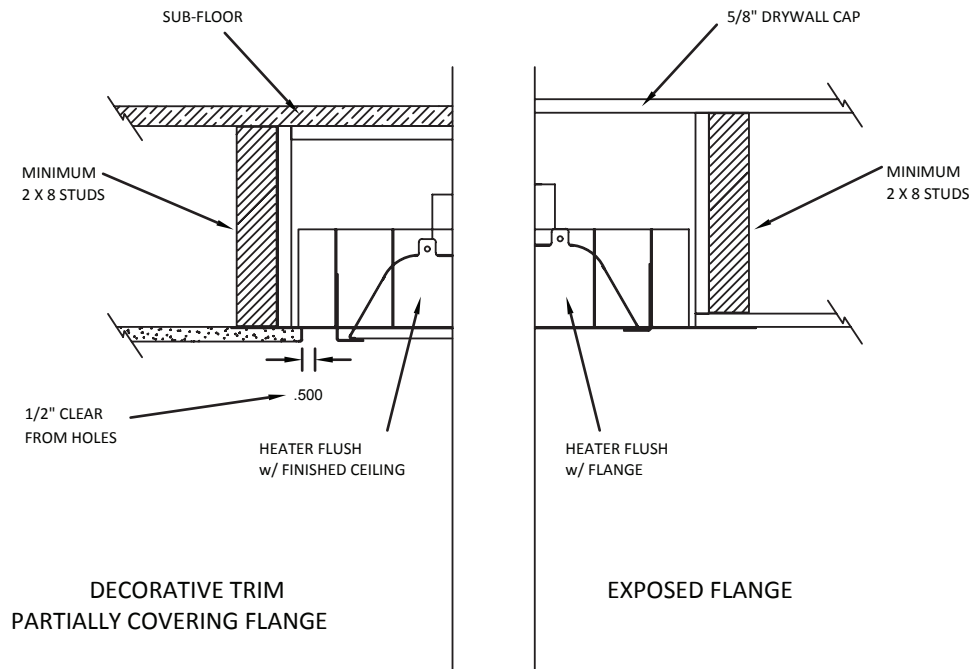


FLUSH MOUNT HEATER KITS INSTALLATION INSTRUCTIONS



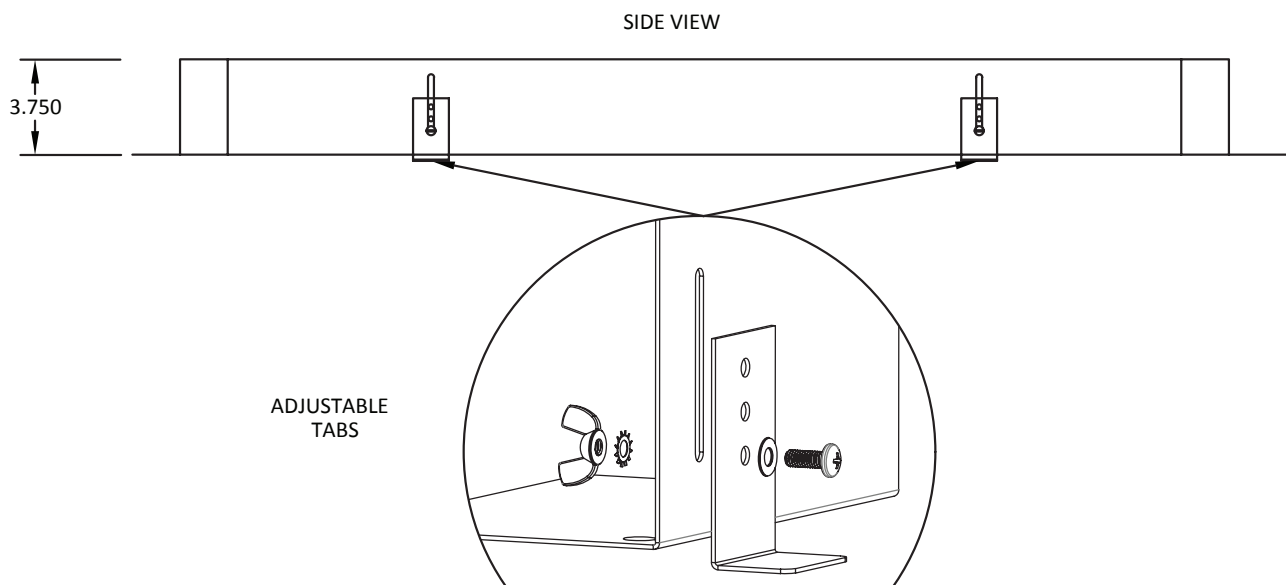
Step 3

Install the frame into the finished pocket. You may choose to leave all four inches of the trim exposed, or partially cover it with a decorative ceiling (1/2" clearance is required from ventilation holes).

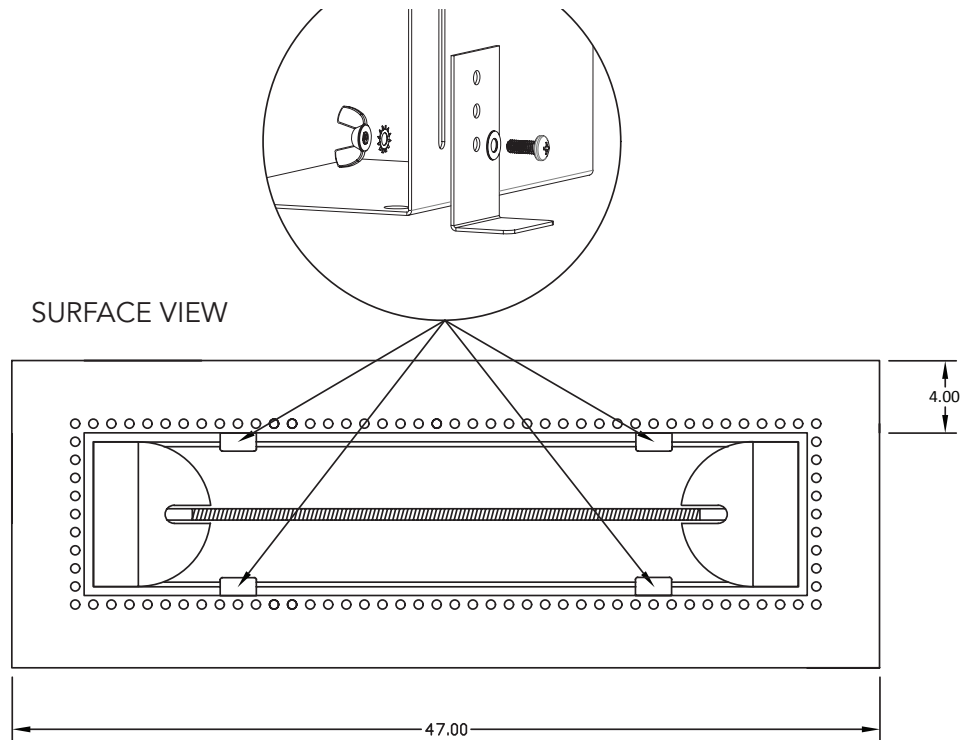


Step 4

Install the heater (heater must face horizontal to the floor) and adjust the tabs to set the heater height appropriately. The heater must be in the enclosure before installing into the ceiling.

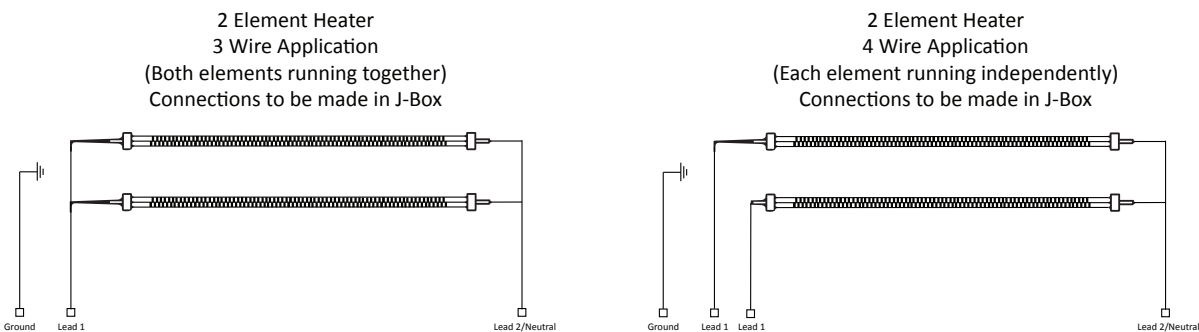


FLUSH MOUNT HEATER KITS INSTALLATION INSTRUCTIONS



Enclosed fixture whip is supplied with three 12 gauge high-temp wires (black, red, and green (ground)). It is installed in a flexible metal conduit.

NOTE: Two optional 14 gauge high-temp wires (black) are supplied loose in packaging for use with four wire application. Remove the 12 gauge black wire from the flexible conduit and replace with the two 14 gauge black wires.



WARNING:

**FRAME AND HEATERS CANNOT BE MOUNTED ON A SLOPED/PITCHED CEILING.
FLUSH MOUNT APPLICATIONS MUST ALWAYS BE INSTALLED WITH HEATERS HORIZONTAL TO THE FLOOR ON A FLAT, NON-SLOPED CEILING.**