



# ISLAND BLENDER

## INSTALLATION INSTRUCTIONS & OWNER'S MANUAL



**INSTALLER:** Leave these instructions with consumer.  
**CONSUMER:** Retain for future reference.

**IMPORTANT:** READ ALL INSTRUCTIONS, INCLUDING THE INSTRUCTIONS PROVIDED WITH YOUR BLENDER, CAREFULLY BEFORE STARTING INSTALLATION OR OPERATION.

Table 1 - Model Specifications Table

Specification	Value
Counter opening width	8-3/4" (21 cm)
Counter opening depth	14-1/4" (35.8 cm)
Vert. clearance below counter*	4" (15.2 cm)
Vert. clearance above counter*	25" (63.3 cm)

\* minimum dimension

Blender



Countertop blender housing



# INSTALLATION

## PREPARING FOR INSTALLATION

A grounded 110-volt GFI receptacle is required within 2' of the desired blender location.

## INSTALL THE BLENDER HOUSING

Prepare a cut-out in the countertop as specified in Table 1 and shown in Fig. 2-1. There must be a minimum of  $\frac{1}{4}$ " overlap of the stainless-steel housing plate on all sides of the opening. The countertop must be completely level for safe and effective operation of this appliance.

Have a qualified professional install a grounded 110-volt GFI receptacle beneath the countertop so that the blender can be plugged into it.

Silicon sealant may be applied around the top edge of the countertop cut-out to create a barrier between the housing and countertop capable of keeping fluids out.

## PLACE THE BLENDER IN THE BLENDER HOUSING

Open the domed lid. Unpack the blender and read the instructions.

Attach the plastic plug to the three-pronged electrical cord. Feed the cord through the cutout that is located on top of the housing in front of the domed lid. Be sure to snap the plastic plug in place. (See Fig. 2-2). From there, plug the cord into the grounded electrical outlet.

Place the blender base carefully onto the blender feet depressions that are located on top of the housing in front of the domed lid.

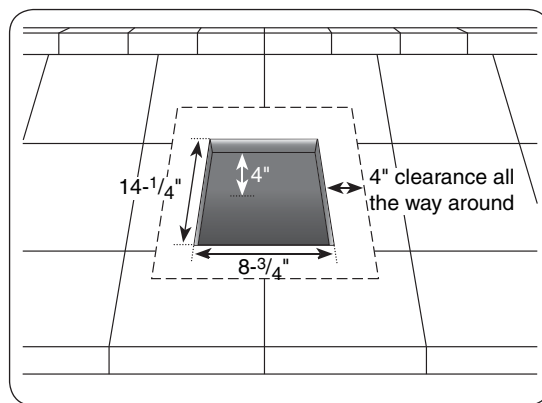


Fig. 2-1

Blender placement (side view)

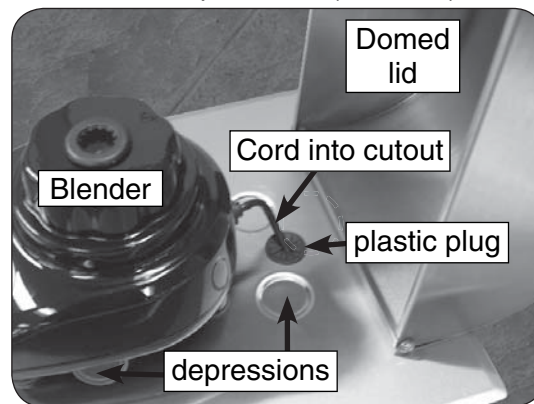


Fig. 2-2

## CARE AND CLEANING

Clean the unit with a quality stainless-steel cleaner at least once a month, following the instructions on the cleaner. Always rub stainless steel in the direction of the grain (see Fig. 3-1). You may find it useful to first remove the blender from the stainless-steel housing.

In a humid environment, due to the nature of stainless steel, iron oxide deposits may appear. Such deposits are removable using Fire Magic® stainless-steel cleaner.

Cover your blender when not in use.

**Note:** Refer to the instructions provided with your blender for its care and cleaning.

Always wipe with grain

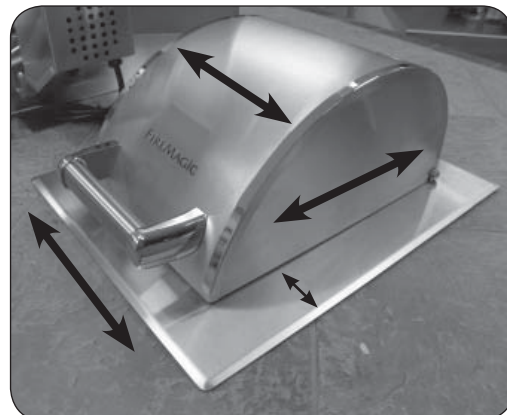


Fig. 3-1

## WARRANTY

**LIFETIME WARRANTY** - Fire Magic® cast stainless-steel burners, stainless-steel rod cooking grids, and stainless-steel housings are warranted for as long as you own your Fire Magic® grill.

**FIFTEEN-YEAR WARRANTY** - Fire Magic® cast brass burners, brass valves, backburner assemblies (except ignition parts), and manifold assemblies are warranted for 15 years from the date of purchase of your Fire Magic® grill.

**THREE-YEAR WARRANTY** - Fire Magic® sideburners and all other Fire Magic® grill components (except ignition and electronic parts) are warranted for three (3) years from the date of purchase of your Fire Magic® grill.

Fire Magic® ignition systems (excluding batteries), electronic components (including lights and thermometers), and accessories are warranted for one (1) year from date of purchase.

### PLEASE KEEP A COPY OF YOUR SALES SLIP FOR PROOF OF PURCHASE

This warranty applies to the original purchaser and to single family residential use only. It commences from date of purchase, and is valid only with proof of purchase.

This warranty does not cover parts becoming defective through misuse, accidental damage, electrical damage, improper handling, storage, and/or installation. Product must be installed (and gas must be connected) as specified in the instructions or operator's manual, by a **qualified professional installer**. Accessories, parts, valves, remotes, etc., when used must be Peterson Co. product.

This warranty **does not** apply to rust, corrosion, oxidation, or discoloration, unless the affected component becomes inoperable. It **does not** cover labor or labor-related charges.

This warranty specifically excludes liability for **indirect, incidental**, or consequential damages. Some states do not allow the exclusion or limitation of incidental or consequential damages, so the above exclusion may not apply to you. This warranty gives you specified legal rights, and you may have other rights that may vary from state to state.

For additional information regarding this warranty, or to place a warranty claim, contact the R.H. Peterson dealer where the product was purchased.

**TO REGISTER YOUR PRODUCT ONLINE GO TO: [WWW.RHPETERSON.COM](http://WWW.RHPETERSON.COM),  
AND CLICK ON PRODUCT REGISTRATION. THANK YOU FOR YOUR PURCHASE.**

# ISLAND BLENDER NOTES PAGE

Please use this page to record any information about your Island Blender that you may want to have at hand.