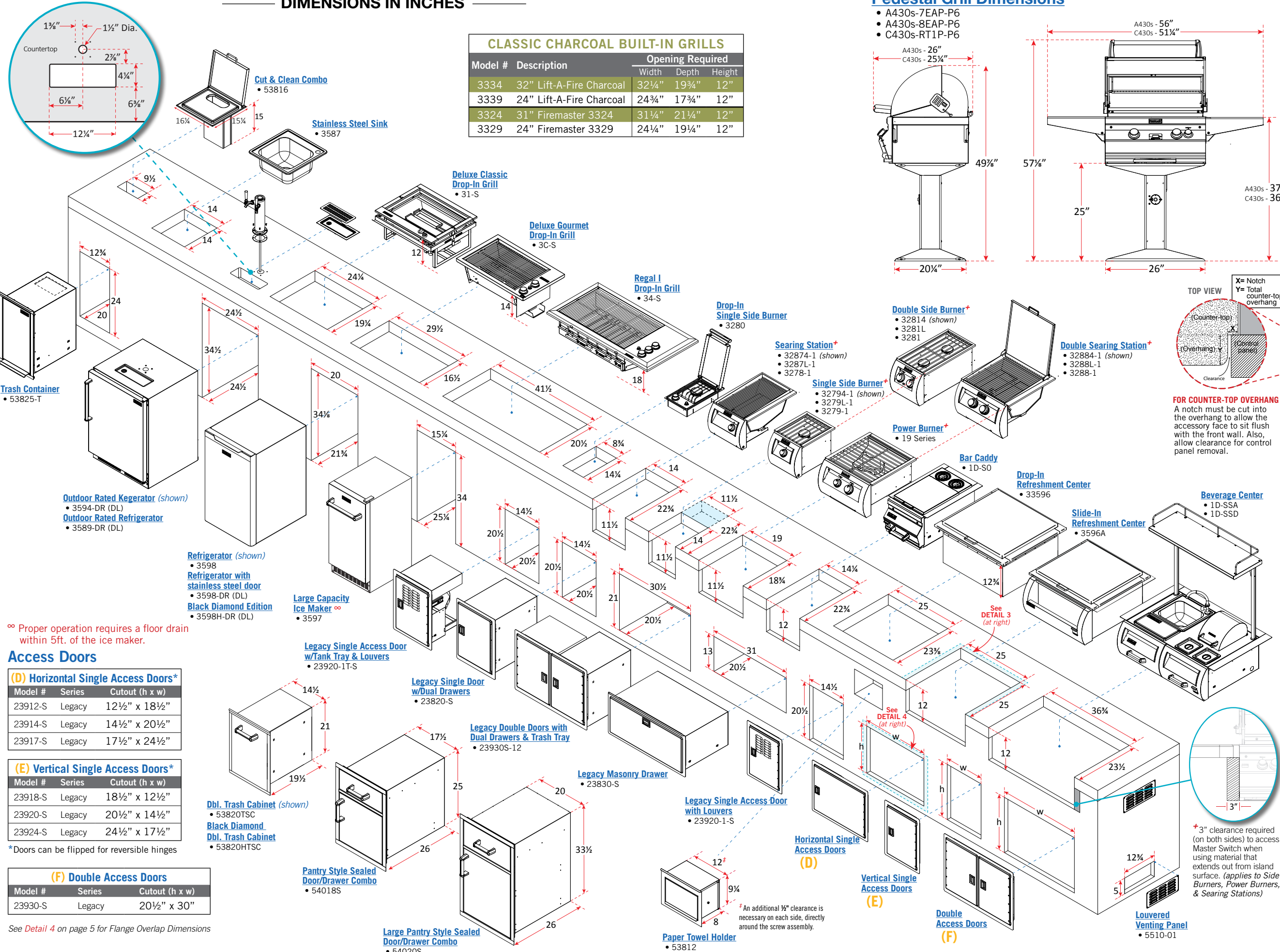
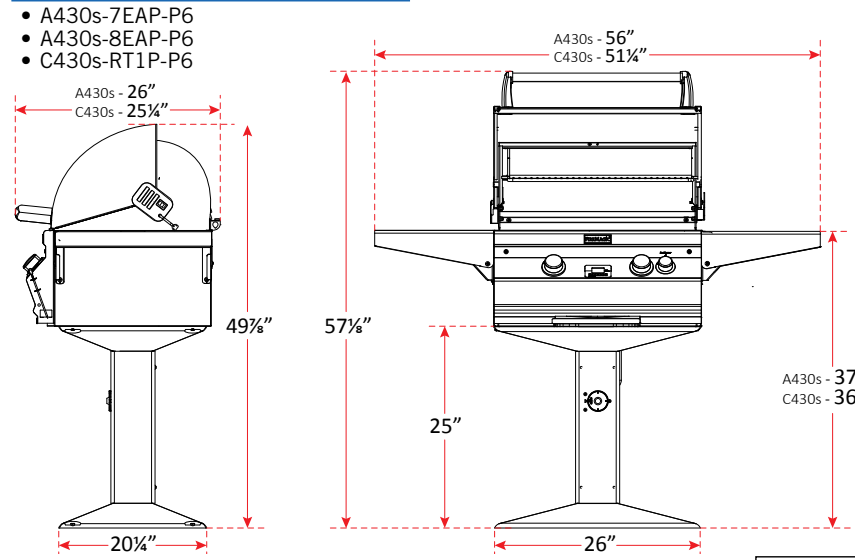


**BUILT-IN KEGERATOR ONLY**

**DIMENSIONS IN INCHES**

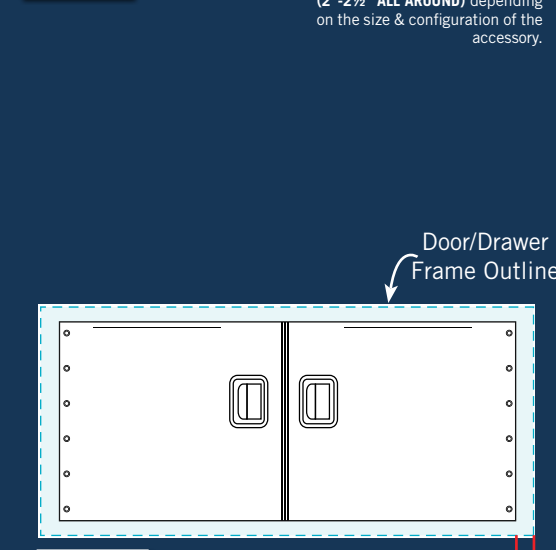


**Pedestal Grill Dimensions**



**Notes**

1. There is a hanger on three sides of the grill (SEE DETAIL 3).
2. The control panel (face) of the accessories is **wider** than the cutout width, this conceals the cutout space on the left & right hand sides.
3. Clearance of 10" on each side, and 3" at the rear of the oven is recommended for unrestricted operation of accessories. (18" from combustible surroundings on each side and rear)
4. Insulating liners must be used and are available for combustible surrounds. Double Side burner (3281), Single Side burner (3279-1) and Drop-In Side burner (3280) do not require an insulating liner (See page 6).



\* Proper operation requires a floor drain within 5ft. of the ice maker.

**Access Doors**

**(D) Horizontal Single Access Doors\***

Model #	Series	Cutout (h x w)
23912-S	Legacy	12½" x 18½"
23914-S	Legacy	14½" x 20½"
23917-S	Legacy	17½" x 24½"

**(E) Vertical Single Access Doors\***

Model #	Series	Cutout (h x w)
23918-S	Legacy	18½" x 12½"
23920-S	Legacy	20½" x 14½"
23924-S	Legacy	24½" x 17½"

\* Doors can be flipped for reversible hinges

**(F) Double Access Doors**

Model #	Series	Cutout (h x w)
23930-S	Legacy	20½" x 30"

See Detail 4 on page 5 for Flange Overlap Dimensions

